

MOSMIC[®] for TV-Tuner Prestage with 9 V Supply Voltage

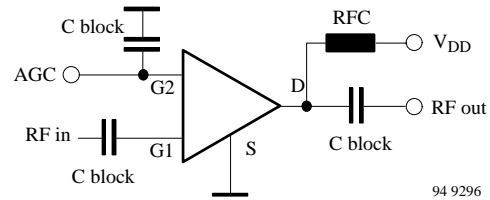
MOSMIC - MOS Monolithic Integrated Circuit

Electrostatic sensitive device.
Observe precautions for handling.



Applications

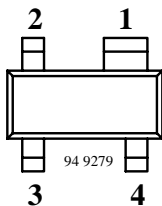
Low noise gain controlled input stages in UHF-and VHF-tuner with 9 V supply voltage.



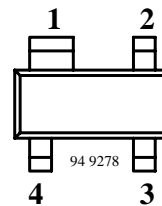
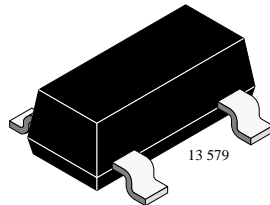
94 9296

Features

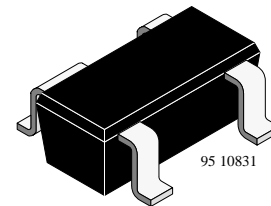
- Integrated gate protection diodes
- Low noise figure
- 20mS forward transadmittance
- Biasing network on chip
- Improved cross modulation at gain reduction
- High AGC-range
- SMD package



S904T Marking: 904
Plastic case (SOT 143)
1 = Source, 2 = Drain, 3 = Gate 2, 4 = Gate 1



S904TR Marking: 90R
Plastic case (SOT 143R)
1 = Source, 2 = Drain, 3 = Gate 2, 4 = Gate 1



Absolute Maximum Ratings

$T_{amb} = 25^{\circ}\text{C}$, unless otherwise specified

| Parameter | Test Conditions | Symbol | Value | Unit |
|-------------------------------------|-----------------------------------|-------------------|-------------|--------------------|
| Drain - source voltage | | V_{DS} | 12 | V |
| Drain current | | I_D | 30 | mA |
| Gate 1/Gate 2 - source peak current | | $\pm I_{G1/G2SM}$ | 10 | mA |
| Gate 1/Gate 2 - source voltage | | $\pm V_{G1/G2SM}$ | 6 | V |
| Total power dissipation | $T_{amb} \leq 60^{\circ}\text{C}$ | P_{tot} | 200 | mW |
| Channel temperature | | T_{Ch} | 150 | $^{\circ}\text{C}$ |
| Storage temperature range | | T_{stg} | -55 to +150 | $^{\circ}\text{C}$ |

Maximum Thermal Resistance

$T_{amb} = 25^{\circ}\text{C}$, unless otherwise specified

| Parameter | Test Conditions | Symbol | Value | Unit |
|-----------------|---|-------------|-------|------|
| Channel ambient | on glass fibre printed board (25 x 20 x 1.5) mm ³ plated with 35 μm Cu | R_{thChA} | 450 | K/W |



Electrical DC Characteristics

$T_{amb} = 25^{\circ}\text{C}$, unless otherwise specified

| Parameter | Test Conditions | Symbol | Min | Typ | Max | Unit |
|-----------------------------------|--|-----------------------|-----|-----|-----|---------------|
| Gate 1 - source breakdown voltage | $\pm I_{G1S} = 10 \text{ mA}, V_{G2S} = V_{DS} = 0$ | $\pm V_{(BR)G1SS}$ | 7 | | 10 | V |
| Gate 2 - source breakdown voltage | $\pm I_{G2S} = 10 \text{ mA}, V_{G1S} = V_{DS} = 0$ | $\pm V_{(BR)G2SS}$ | 7 | | 10 | V |
| Gate 1 - source leakage current | $+V_{G1S} = 5 \text{ V}, V_{G2S} = V_{DS} = 0$ | $+I_{G1SS}$ | | | 50 | μA |
| | $-V_{G1S} = 5 \text{ V}, V_{G2S} = V_{DS} = 0$ | $-I_{G1SS}$ | | | 100 | μA |
| Gate 2 - source leakage current | $\pm V_{G2S} = 5 \text{ V}, V_{G1S} = V_{DS} = 0$ | $\pm I_{G2SS}$ | | | 20 | nA |
| Drain current | $V_{DS} = 9 \text{ V}, V_{G1S} = 0, V_{G2S} = 4 \text{ V}$ | I_{DSS} | 50 | | 500 | μA |
| Self-biased operating current | $V_{DS} = 9 \text{ V}, V_{G1S} = \text{nc}, V_{G2S} = 4 \text{ V}$ | I_{DSP} | 7 | 10 | 14 | mA |
| Gate 2 - source cut-off voltage | $V_{DS} = 9 \text{ V}, V_{G1S} = \text{nc}, I_D = 20 \mu\text{A}$ | $V_{G2S(\text{OFF})}$ | | 1.0 | | V |

Electrical AC Characteristics

$V_{DS} = 9 \text{ V}, V_{G2S} = 4 \text{ V}, f = 1 \text{ MHz}, T_{amb} = 25^{\circ}\text{C}$, unless otherwise specified

| Parameter | Test Conditions | Symbol | Min | Typ | Max | Unit |
|--------------------------|--|-----------------|------|-----|-----|------|
| Forward transadmittance | | $ y_{21s} $ | 17 | 20 | 23 | mS |
| Gate 1 input capacitance | | C_{issg1} | | 2.0 | 2.5 | pF |
| Feedback capacitance | | C_{rSS} | | 20 | | fF |
| Output capacitance | | C_{oss} | | 0.9 | | pF |
| Power gain | $G_S = 2 \text{ mS}, G_L = 0.5 \text{ mS}, f = 200 \text{ MHz}$ | G_{ps} | | 26 | | dB |
| | $G_S = 3,3 \text{ mS}, G_L = 1 \text{ mS}, f = 800 \text{ MHz}$ | G_{ps} | 16.5 | 20 | | dB |
| AGC range | $V_{DS} = 9 \text{ V}, V_{G2S} = 1 \text{ to } 4 \text{ V}, f = 800 \text{ MHz}$ | ΔG_{ps} | 40 | | | dB |
| Noise figure | $G_S = 2 \text{ mS}, G_L = 0.5 \text{ mS}, f = 200 \text{ MHz}$ | F | | 1 | | dB |
| | $G_S = 3,3 \text{ mS}, G_L = 1 \text{ mS}, f = 800 \text{ MHz}$ | F | | 1.6 | 2.5 | dB |

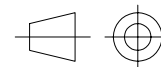
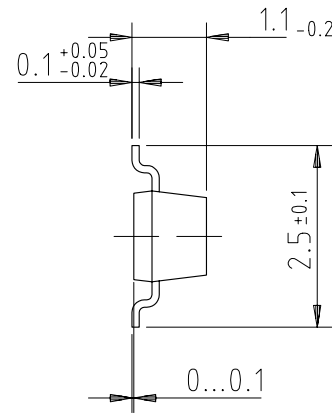
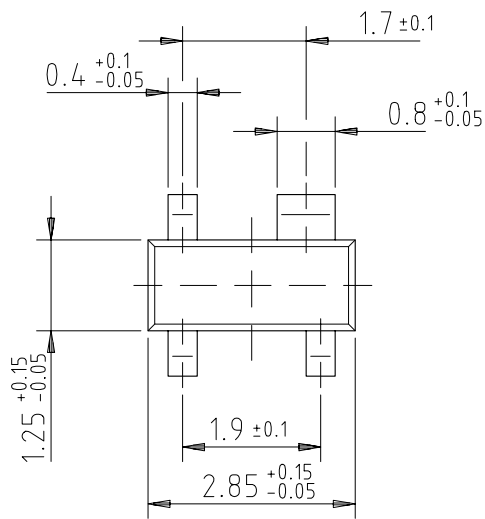
Caution for Gate 1 switch-off mode:

No external DC-voltage on Gate 1 in active mode!

Switch-off at Gate 1 with $V_{G1S} < 0.7 \text{ V}$ is feasible.

Using open collector switching transistor (inside of PLL), insert 10 k Ω collector resistor.

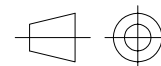
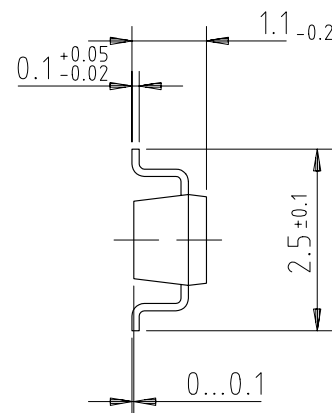
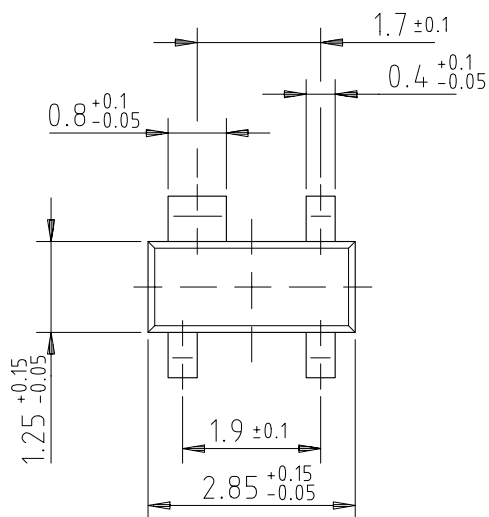
Dimensions of S904T in mm



96 12240

technical drawings
according to DIN
specifications

Dimensions of S904TR in mm



96 12239

technical drawings
according to DIN
specifications



Ozone Depleting Substances Policy Statement

It is the policy of **Vishay Semiconductor GmbH** to

1. Meet all present and future national and international statutory requirements.
2. Regularly and continuously improve the performance of our products, processes, distribution and operating systems with respect to their impact on the health and safety of our employees and the public, as well as their impact on the environment.

It is particular concern to control or eliminate releases of those substances into the atmosphere which are known as ozone depleting substances (ODSs).

The Montreal Protocol (1987) and its London Amendments (1990) intend to severely restrict the use of ODSs and forbid their use within the next ten years. Various national and international initiatives are pressing for an earlier ban on these substances.

Vishay Semiconductor GmbH has been able to use its policy of continuous improvements to eliminate the use of ODSs listed in the following documents.

1. Annex A, B and list of transitional substances of the Montreal Protocol and the London Amendments respectively
2. Class I and II ozone depleting substances in the Clean Air Act Amendments of 1990 by the Environmental Protection Agency (EPA) in the USA
3. Council Decision 88/540/EEC and 91/690/EEC Annex A, B and C (transitional substances) respectively.

Vishay Semiconductor GmbH can certify that our semiconductors are not manufactured with ozone depleting substances and do not contain such substances.

We reserve the right to make changes to improve technical design and may do so without further notice.

Parameters can vary in different applications. All operating parameters must be validated for each customer application by the customer. Should the buyer use Vishay-Telefunken products for any unintended or unauthorized application, the buyer shall indemnify Vishay-Telefunken against all claims, costs, damages, and expenses, arising out of, directly or indirectly, any claim of personal damage, injury or death associated with such unintended or unauthorized use.

Vishay Semiconductor GmbH, P.O.B. 3535, D-74025 Heilbronn, Germany
Telephone: 49 (0)7131 67 2831, Fax number: 49 (0)7131 67 2423