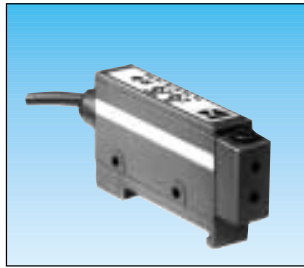


"Fibre optic" type photoelectric sensors

- High performance detection
- Rapid switching frequency 0.5 KHz
- Small size : width 12 mm
- Easily fitted (DIN rail or bracket)
- Sensitivity adjustment
- Light adjustment Stability indicator
- Stability indicator
- Output NPN/PNP
- Complementary function "Light-on / Dark-on"
- Delay function calibrated at 100 ms



Part numbers

Function without delay **89 401 411**

Specifications

Supply voltage 10 - 30 V \pm + 0 - 10 %
 Voltage variation % ≤ 10

Outputs

Polarity PNP and NPN •
 Programmable for NO or NC operation •
 Max load 100 mA / 30 V
 Voltage sink V ≤ 1.3
 Protection against short-circuits •

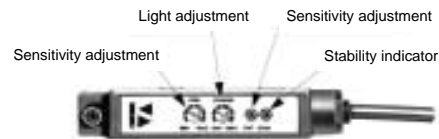
Sensing

Light source : modulated red LED •
 Max ambient light Natural lux 10000
 Artificial lux 3000
 Max frequency kHz 0.5
 Response time ms ≤ 1

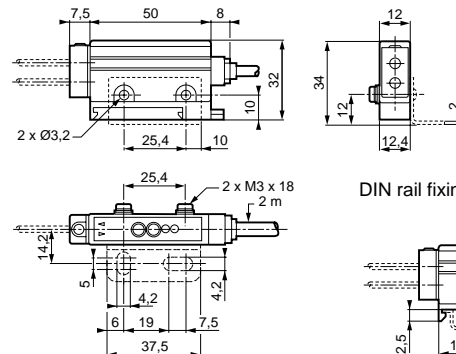
Operation and use

Max absorbed current mA 20
 Temperature range Use °C -25 + 60
 Stored °C -25 + 70
 Relative humidity % 35 / 85
 Insulation $\geq 20 \text{ M}\Omega / 500\text{V}$ \pm
 Dielectric strength 1000V 50/60Hz/ 1 min
 Electric shock resistance ⁽¹⁾ 1000 V 100 Hz / 1 μ s
 Vibration resistance in 3 axes (amplitude) 10-55Hz / 2 H (1.5 mm)
 Shock resistance / 3 axes 50 G
 Degree of protection IP 65
 Housing material : PBT resin •
 Connection (cable) 2m / 0.2 mm² •
 Fixture : DIN rail, bracket and screws supplied in box
 Weight g 100

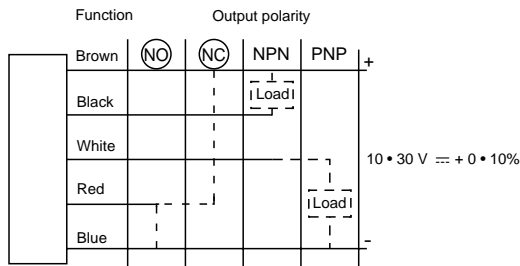
⁽¹⁾ Normal method



Dimensions



Connection



To order, specify:

Standard products, stocked

1 Part number

Example : "Fibre optic" type photoelectric sensor 89 401 411