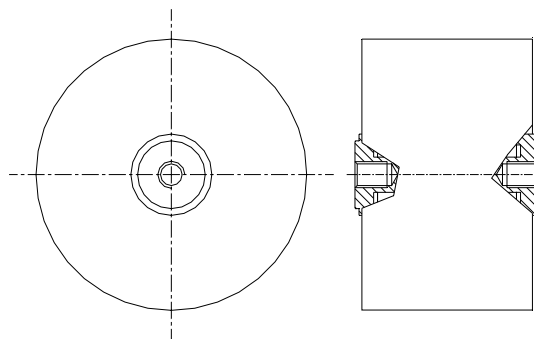


The capacitors of C4D Series are designed with reinforced metallized polypropylene dielectric film.

These capacitors are suitable to withstand the heavy current pulses usually met in GTO protection.

The axial connections allow to reduce series inductance and provide strong mechanical mounting reliable electrical contact and good thermal dissipation of heat produced during service.



Applications:

- Protection of GTO
- High ripple current D.C. filtering
- Medium frequency tuning
- Pulsed lasers

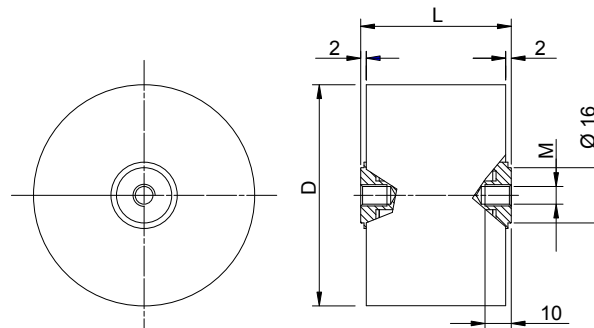
Presentation:

- Cylindrical plastic case
- Mechanical fixing by means of brass connections,
- Hole M8 threaded (M6 on request)

TECHNICAL DATA

General technical data	VDE 0560 - IEC61071 - EN61071
IEC climatic category	40 / 85 / 56
Temperature range (Case)	-40 to + 85 °C
Max permissible ambient temperature	+70 °C
Capacitance tolerance code	J = ± 5% ; K = ± 10%
Capacitance deviation in the operating temperature range of -40 to +85 °C	±1.5% max on capacitance value measured at +20 °C
Test voltage terminal to case U_{TC}	5kV _{DC} 50Hz for 60 seconds
Dissipation factor (tgδ)	≤ 3 x 10 ⁻⁴ at 1 kHz and 20°C
Permissible relative humidity	Annual average ≤ 95% on 30 days/year, continuously 100% on other days occasionally 100%. Dewing not admissible
Case components	Solvent resistant plastic case with resin sealing.
Terminals	Tinned brass (See figure on top)
Tightening torque	10Nm max for M8 thread and 6Nm max for M6 thread
Installation	Whatever Position
Life Expectancy	≥ 100.000 hours
Failure quota	300 / 10 ⁹ components hour

Rated D.C. Voltage V_{DC}	Test voltage between terminals U_{TT} V_{DC}
850	1700
1000	2000
1400	2800
3000	4500



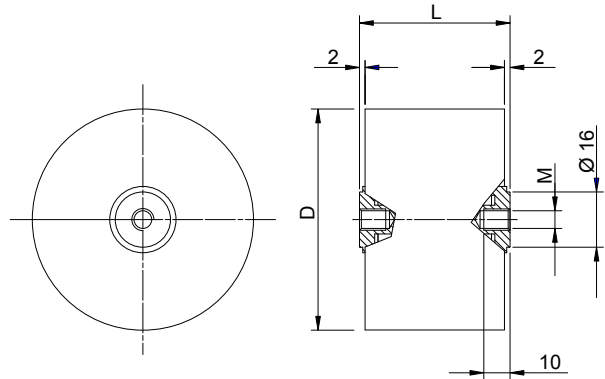
PEAK VOLTAGE TABLE

U_n	850	1000	1400	3000
\hat{U}_{MAX}	1200	1400	2000	4000
\hat{U}_s	1300	1500	2150	4200

GENERAL CHARACTERISTICS

Code	C	U_n	U_{RMS}	dV/dt	I_{PKR}	ESR	IRMS	K	Dimensions (mm)	
	μF	Vdc	Vac	V/ μs	A	Max @ 100kHz m Ω	100kHz@70°C A	°W/C	D	L
C4DCMAQ4150AA0J	1.5	850	500	450	675	1.7	40	5.4	60	51
C4DCMAQ4200AA0J	2	850	500	450	900	1.5	43	5.5	60	51
C4DCMAQ4300AA0J	3	850	500	450	1350	1.2	53	4.5	72	51
C4DCMAQ4350AA0J	3.5	850	500	450	1575	1.1	55	4.4	72	51
C4DCMAQ4400AA0J	4	850	500	450	1800	1.1	59	3.8	80	51
C4DCMAQ4500AA0J	5	850	500	450	2250	1.1	62	3.7	80	51
C4DCMAQ4600AA0J	6	850	500	450	2700	1.0	69	3.1	90	51
C4DCNAQ4100AA0J	1	1000	600	525	525	2.1	36	5.5	60	51
C4DCNAQ4200AA0J	2	1000	600	525	1050	1.4	50	4.4	72	51
C4DCNAQ4250AA0J	2.5	1000	600	525	1312	1.3	56	3.6	80	51
C4DCNAQ4300AA0J	3	1000	600	525	1575	1.2	58	3.7	80	51
C4DCNAQ4350AA0J	3.5	1000	600	525	1837	1.1	65	3.1	90	51
C4DCNAQ4400AA0J	4	1000	600	525	2100	1.1	66	3.1	90	51
C4DCRAQ3500AA0J	0.5	1400	700	630	315	3.3	29	5.4	60	51
C4DCRAQ3800AA0J	0.8	1400	700	630	315	2.8	33	5.3	60	51
C4DCRAQ4100AA0J	1	1400	700	630	630	2.0	38	5.2	60	51
C4DCRAQ4100ZA0J	1	1400	700	1000	1000	0.6	70	1.9	90	51
C4DCRAQ4150AA0J	1.5	1400	700	380	570	2.2	38	4.7	60	64
C4DCRAQ4200AA0J	2	1400	700	380	760	1.8	46	3.9	72	64
C4DCRAQ4250AA0J	2.5	1400	700	380	950	1.6	50	3.8	72	64
C4DCRAQ4300AA0J	3	1400	700	380	1140	1.5	56	3.2	80	64
C4DCRAQ4400AA0J	4	1400	700	380	1520	1.3	64	2.8	90	64

Rated D.C. Voltage V_{DC}	Test voltage between terminals U_{TT} V_{DC}
400	600
600	900
700	1050
850	1275
1200	1800



PEAK VOLTAGE TABLE

U_n	400	600	700	850	1200	1500
\hat{U}_{max}	560	840	980	1200	1680	2100
\hat{U}_s	600	900	1050	1300	1800	2250

GENERAL CHARACTERISTICS

Code	C μF	U_n Vdc	U_{RMS} Vac	dv/dt V/ μs	I_{PKR} A	ESR Max @ 100kHz mW	I_{RMS} 100kHz@70°C A	K °W/C	Max Dimensions mm	
									D	L
C4DRFAQ5250AA0J	25	400	160	40	1000	1.8	42	5.1	60	51
C4DRFAQ5300AA0J	30	400	160	40	1200	1.5	49	4.1	72	51
C4DRFAQ5500AA0J	50	400	160	40	2000	1.2	60	3.3	80	51
C4DRFAQ5750AA0J	75	400	160	40	3000	1.1	70	2.8	90	51
C4DRFAQ6100AA0J	100	400	160	25	2500	1.3	70	2.6	90	61
C4DRFAQ6110AA0J	110	400	160	25	2560	1.5	70	2.2	90	61
C4DRFAQ6220AA0J	220	400	160	12	2640	1.8	67	1.8	90	99
C4DRHAQ5120AA0J	12	600	220	50	600	2.2	37	5	60	51
C4DRHAQ5150AA0J	15	600	220	50	750	1.9	44	4.1	72	51
C4DRHAQ5200AA0J	20	600	220	50	1000	1.6	48	4.1	72	51
C4DRHAQ5250AA0J	25	600	220	50	1250	1.5	55	3.4	80	51
C4DRHAQ5330AA0J	33	600	220	50	1650	1.3	64	2.8	90	51
C4DRHAQ5500AA0J	50	600	220	35	1750	1.6	61	2.6	90	61
C4DRHAQ6100AA0J	100	600	220	15	1500	2.4	58	1.8	90	99
C4DRJAQ4750AA0J	7.5	700	250	70	525	2.6	34	5	60	51
C4DRJAQ5100AA0J	10	700	250	70	700	2.1	42	4	72	51
C4DRJAQ5150AA0J	15	700	250	70	1050	1.7	51	3.4	80	51
C4DRJAQ5200AA0J	20	700	250	70	1400	1.5	60	2.8	90	51
C4DRJAQ5250AA0J	25	700	250	45	1125	2	50	3.1	80	61
C4DRJAQ5330AA0J	33	700	250	45	1485	1.7	58	2.6	90	61
C4DRJAQ5700AA0J	70	700	250	20	1400	2.6	55	1.9	90	99
C4DRMAQ4400AA0J	4	850	330	90	360	3.6	29	5	60	51
C4DRMAQ4500AA0J	5	850	330	90	450	3	32	4.9	60	51
C4DRMAQ4600AA0J	6	850	330	90	540	2.6	34	5	60	51
C4DRMAQ4750AA0J	7.5	850	330	90	675	2.2	41	4.1	72	51
C4DRMAQ4800AA0J	8	850	330	90	720	2.1	42	4	72	51
C4DRMAQ5100AA0J	10	850	330	90	900	1.9	49	3.3	80	61
C4DRMAQ5150AA0J	15	850	330	90	1350	1.5	49	2.9	80	61
C4DRMAQ5200AA0J	20	850	330	55	1100	2.1	49	3	80	61
C4DRMAQ5250AA0J	25	850	330	55	1375	1.8	57	2.6	90	61
C4DRMAQ5600AA0J	60	850	330	25	1500	2.7	54	1.9	90	99
C4DRPAQ4250AA0J	2.5	1200	440	320	800	1.4	47	4.8	60	51
C4DRPAQ4300AA0J	3	1200	440	320	960	1.3	54	4	72	51
C4DRPAQ4400AA0J	4	1200	440	320	1280	1.1	58	4	72	51
C4DRPAQ4500AA0J	5	1200	440	320	1600	1.1	64	3.3	80	51
C4DRPAQ4600AA0J	6	1200	440	320	1920	1	72	2.8	90	51
C4DRPAQ4800AA0J	8	1200	440	190	1520	1.2	65	3	80	61
C4DRPAQ5100AA0J	10	1200	440	190	1900	1.1	73	2.6	90	61
C4DRPAQ5120AA0J	12	1200	440	190	2190	1.1	74	2.6	90	61
C4DRPAQ5200AA0J	20	1200	440	75	1875	1.5	74	1.9	80	99
C4DRPAQ5250AA0J	25	1200	440	75	1875	1.5	74	1.9	90	99
C4DRSAQ4100AA0J	1	1500	500	400	400	2.3	37	4.8	60	51
C4DRSAQ4200AA0J	2	1500	500	400	800	1.5	51	3.9	72	51
C4DRSAQ4300AA0J	3	1500	500	400	1200	1.3	60	3.3	80	51
C4DRSAQ4400AA0J	4	1500	500	400	1600	1.1	69	2.8	90	51
C4DRSAQ4500AA0J	5	1500	500	250	1250	1.3	61	3	80	61
C4DRSAQ4750AA0J	7.5	1500	500	250	1875	1.2	71	2.5	90	61
C4DRSAQ5150AA0J	15	1500	500	100	1500	1.7	69	1.9	90	99