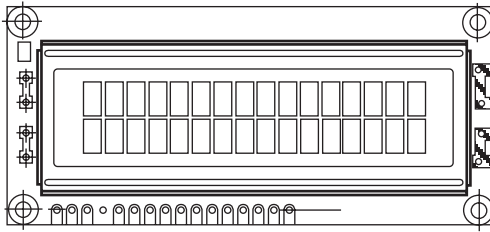


# 16 x 2 Character LCD


**FEATURES**

- 5 x 8 dots includes cursor
- Built - in controller (KS 0066 or Equivalent)
- + 5V power supply (Also available for + 3V)
- 1/16 duty cycle
- LED can be driven by pin 1, pin 2, pin 15 or A and K
- N.V. optional for + 3V power supply

MECHANICAL DATA		
ITEM	STANDARD VALUE	UNIT
Module Dimension	80.0 x 36.0	mm
Viewing Area	66.0 x 16.0	mm
Mounting Hole	75.0 x 31.0	mm
Character Size	2.95 x 5.55	mm

ABSOLUTE MAXIMUM RATING					
ITEM	SYMBOL	STANDARD VALUE			UNIT
		MIN.	TYP.	MAX.	
Power Supply	VDD-VSS	- 0.3	-	7.0	V
Input Voltage	VI	- 0.3	-	VDD	V

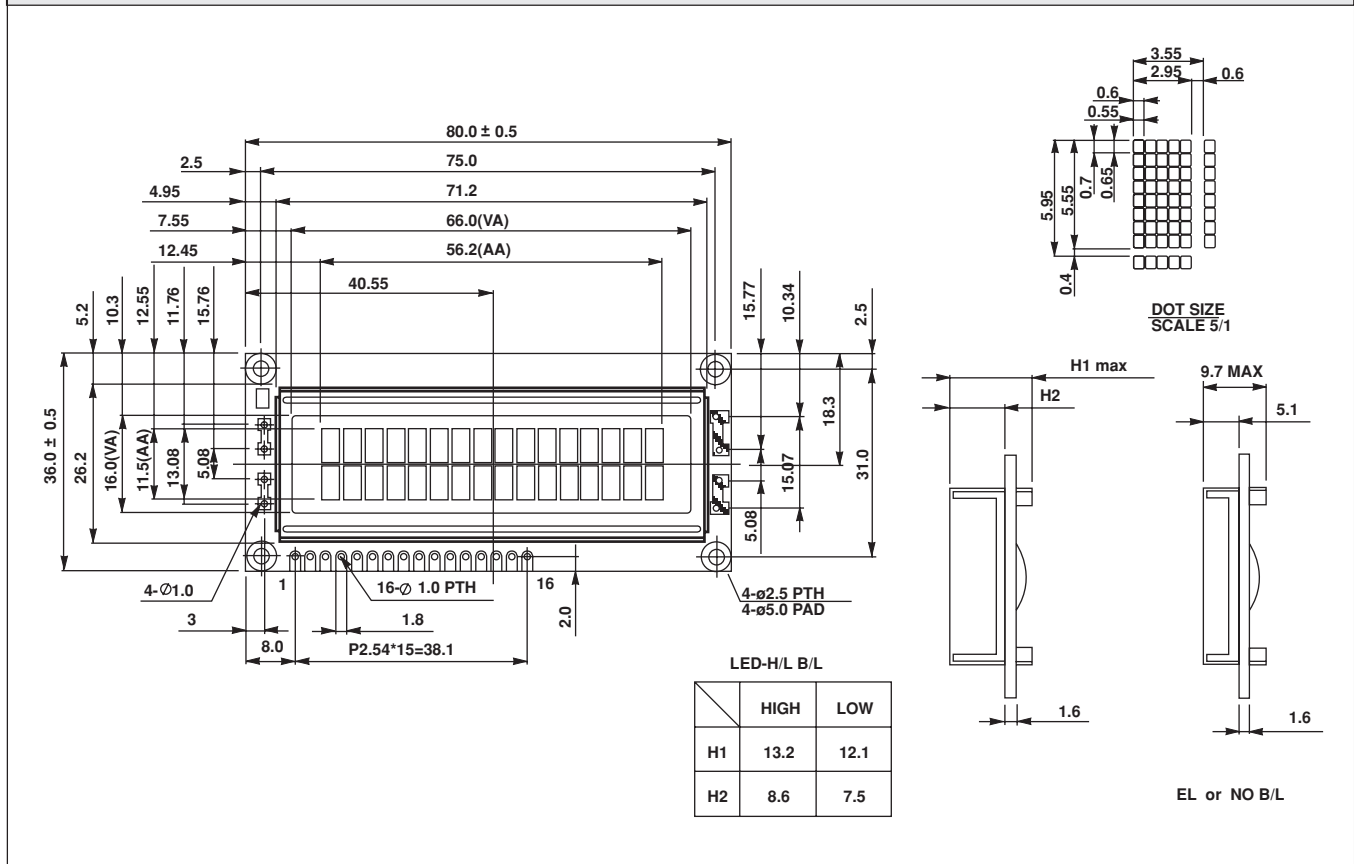
**NOTE:** VSS = 0 Volt, VDD = 5.0 Volt

ELECTRICAL SPECIFICATIONS							
ITEM	SYMBOL	CONDITION	STANDARD VALUE			UNIT	
			MIN.	TYP.	MAX.		
Input Voltage	VDD	VDD = + 5V	4.7	5.0	5.3	V	
Supply Current	IDD	VDD = + 5V	-	1.2	1.4	mA	
Recommended LC Driving Voltage for Normal Temp. Version Module	VDD - V0	- 20 °C	-	-	5.2	V	
		0°C	-	-	4.2		
		25°C	-	3.8	-		
		50°C	3.5	-	-		
		70°C	3.2	-	-		
LED Forward Voltage	VF	25°C	-	4.2	4.6	V	
LED Forward Current	IF	25°C	Array	-	130	260	mA
		25°C	Edge	-	20	40	mA
EL Power Supply Current	IEL	Vel = 110VAC; 400Hz	-	-	5.0	mA	

DISPLAY CHARACTER ADDRESS CODE:																
Display Position	1	2	3	4	5	6	7	8	9	10	11	12	13	14	15	16
DD RAM Address	00	01														0F
DD RAM Address	40	41														4F

PIN NUMBER	SYMBOL	FUNCTION
1	Vss	GND
2	Vdd	+ 3V or + 5V
3	Vo	Contrast Adjustment
4	RS	H/L Register Select Signal
5	R/W	H/L Read/Write Signal
6	E	H → L Enable Signal
7	DB0	H/L Data Bus Line
8	DB1	H/L Data Bus Line
9	DB2	H/L Data Bus Line
10	DB3	H/L Data Bus Line
11	DB4	H/L Data Bus Line
12	DB5	H/L Data Bus Line
13	DB6	H/L Data Bus Line
14	DB7	H/L Data Bus Line
15	A/Vee	+ 4.2V for LED (RA = 0Ω)/Negative Voltage Output
16	K	Power Supply for B/L (0V)

## DIMENSIONS in millimeters





## Notice

Specifications of the products displayed herein are subject to change without notice. Vishay Intertechnology, Inc., or anyone on its behalf, assumes no responsibility or liability for any errors or inaccuracies.

Information contained herein is intended to provide a product description only. No license, express or implied, by estoppel or otherwise, to any intellectual property rights is granted by this document. Except as provided in Vishay's terms and conditions of sale for such products, Vishay assumes no liability whatsoever, and disclaims any express or implied warranty, relating to sale and/or use of Vishay products including liability or warranties relating to fitness for a particular purpose, merchantability, or infringement of any patent, copyright, or other intellectual property right.

The products shown herein are not designed for use in medical, life-saving, or life-sustaining applications. Customers using or selling these products for use in such applications do so at their own risk and agree to fully indemnify Vishay for any damages resulting from such improper use or sale.