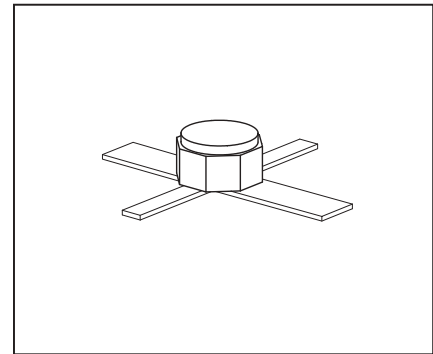


**HiRel K-Band GaAs Super Low Noise HEMT**

- **HiRel Discrete and Microwave Semiconductor**
- Pseudo- morphic AlGaAs/InGaAs/ GaAs HEMT
- For professional super low-noise amplifiers
- For frequenzcies from 500 MHz to >20 Ghz
- Hermetically sealed micorowave package
- Super low noise figure, high associated gain
- **ESA Space Qualified**  
 ESA/SCC Detail Spec. No.: 5613/004  
 Type Variante No.s 01 to 04, 05 foressen (tbc.)



Type	Marking	Pin Configuration				Package
CFY67-06	-	1=G	2=S	3=D	4=S	MICRO-X
CFY67-08	-	1=G	2=S	3=D	4=S	MICRO-X
CFY67-08P	-	1=G	2=S	3=D	4=S	MICRO-X
CFY67-10	-	1=G	2=S	3=D	4=S	MICRO-X
CFY67-10P	-	1=G	2=S	3=D	4=S	MICRO-X

(q) Testing level: P: Professional testing  
 H: High Rel quality  
 S: Space quality  
 ES: ESA qualified

CFY67-nnl: specifies gain and output power levels (see electrical characterisitcs)

**Maximum Ratings**

Parameter	Symbol	Value	Unit
Drain-source voltage	$V_{DS}$	3.5	V
Drain-gate voltage	$V_{DG}$	4.5	
Gate-source voltage (reverse/ forward)	$V_{GS}$	-3...0.5	
Drain current	$I_D$	60	mA
Gate forward current	$I_G$	2	
RF input power, C- and X-band <sup>1)</sup>	$P_{RF,in}$	10	dBm
Junction temperature	$T_j$	150	°C
Storage temperature	$T_{stg}$	-65...150	
Total power dissipation <sup>2)</sup>	$P_{tot}$	200	mW
Soldering temperature <sup>3)</sup>	$T_{sol}$	230	°C

**Thermal Resistance**

Parameter	Symbol	Value	Unit
Junction - soldering point	$R_{thJS}$	≤ 515 (tbc)	K/W

**Electrical Characteristics (at  $T_A = 25\text{ °C}$ ; unless otherwise specified)**

Parameter	Symbol	Values			Unit
		min.	typ.	max.	

**DC Characteristics**

Drain- source saturation current $V_{DS} = 2\text{ V}$ , $V_{GS} = 0\text{ V}$	$I_{DSS}$	15	30	60	mA
Gate threshold voltage $V_{DS} = 2\text{ V}$ , $I_D = 1\text{ mA}$	$-V_{Gth}$	0.2	0.7	2	
Drain current pinch-off $V_{DS} = 1.5\text{ V}$ , $V_{GS} = -3\text{ V}$	$I_{Dp}$	-	<50	-	μA
Gate leakage current at pinch-off $V_{DS} = 1.5\text{ V}$ , $V_{GS} = -3\text{ V}$	$-I_{Gp}$	-	<50	200	
Transconductance $V_{DS} = 2\text{ V}$ , $I_D = 15\text{ mA}$	$g_{m15}$	50	65	-	mS
Gate leakage current at operation $V_{DS} = 2\text{ V}$ , $I_D = 15\text{ mA}$	$-I_{G15}$	-	<0,5	2	μA

<sup>1)</sup>For  $V_{DS} 2\text{ V}$ . For  $V_{DS} 2\text{ V}$ , derating is required.

<sup>2)</sup>At  $T_S = 47\text{ °C}$ . For  $T_S > 47\text{ °C}$  derating is required.

<sup>3)</sup>During 15 sec. maximum. The same terminal shall not be resoldered until 3 minutes have elapsed.

**Electrical Characteristics**

Parameter	Symbol	Values			Unit
		min.	typ.	max.	
<b>AC Characteristics</b>					
Noise figure <sup>1)</sup> $V_{DS} = 2\text{ V}$ , $I_D = 15\text{ mA}$ , $f = 12\text{ GHz}$ CFY67-06 CFY67-08, -08P CFY67-10, -10P	$NF$	-	0.5	0.6	dB
		-	0.7	0.8	
		-	0.9	1	
Associated gain <sup>1)</sup> $V_{DS} = 2\text{ V}$ , $I_D = 15\text{ mA}$ , $f = 12\text{ GHz}$ CFY67-06 CFY67-08, -08P CFY67-10,- 10P	$G_a$	11.5	12.5	-	
		11	11.5	-	
		140.5	11	-	
Output power at 1 dB gain compr. <sup>2)</sup> $V_{DS} = 2\text{ V}$ , $I_D = 20\text{ mA}$ , $f = 12\text{ GHz}$ CFY67-06, -08, -10 CFY67-08P, -10P	$P_{1dB}$	-	11	-	dBm
		10	11	-	

<sup>1</sup>Noise figure/associated gain characteristics given for minimum noise figure matching conditions (fixed generic matching, no fine-tuning).

<sup>2</sup>Output power characteristics given for optimum output matching conditions (fixed generic matching, no fine-tuning).

**Typical Common Source S-Parameters**

 CFY67-08:  $V_{DS} = 2\text{ V}$ ,  $I_D = 15\text{ mA}$ ,  $Z_0 = 50\ \Omega$ 

<i>f</i>	<i>S</i> <sub>11</sub>		<i>S</i> <sub>21</sub>		<i>S</i> <sub>12</sub>		<i>S</i> <sub>22</sub>		k-Fact.	<i>S</i> <sub>21</sub> / <i>S</i> <sub>12</sub>	MAG
	GHZ	MAG	ANG	MAG	ANG	MAG	ANG	MAG	ANG	MAG	dB
0.5	0.963	-15	5.315	165	0.0111	74	0.655	-14	0.4	26.8	-
1	0.938	-23	5.182	159	0.0225	68	0.639	-18	0.39	23.6	-
1.5	0.913	-33	5.06	150	0.0317	62	0.625	-23	0.42	22	-
2	0.889	-42	4.94	142	0.0411	57	0.611	-28	0.43	20.8	-
2.5	0.865	-52	4.824	133	0.0509	53	0.596	-35	0.43	19.8	-
3	0.844	-62	4.715	124	0.0585	46	0.582	-41	0.45	19.1	-
3.5	0.823	-72	4.591	115	0.065	41	0.567	-47	0.47	18.5	-
4	0.8	-81	4.45	107	0.0714	36	0.552	-53	0.5	17.9	-
4.5	0.779	-91	4.319	99	0.0768	31	0.534	-60	0.52	17.5	-
5	0.761	-100	4.183	91	0.0811	25	0.52	-66	0.54	17.1	-
5.5	0.743	-109	4.043	83	0.085	20	0.5	-72	0.58	16.8	-
6	0.725	-117	3.906	75	0.0885	15	0.49	-77	0.6	16.4	-
6.5	0.708	-125	3.769	68	0.0917	11	0.477	-83	0.63	16.1	-
7	0.69	-132	3.64	61	0.0942	7	0.467	-88	0.67	15.9	-
7.5	0.673	-139	3.529	54	0.0962	3	0.455	-93	0.71	15.6	-
8	0.656	-146	3.427	48	0.0978	-1	0.442	-97	0.76	15.4	-
8.5	0.64	-153	3.344	41	0.0998	-5	0.43	-101	0.79	15.3	-
9	0.625	-160	3.271	34	0.101	-9	0.417	-104	0.84	15.1	-
9.5	0.611	-168	3.202	28	0.1027	-12	0.406	-108	0.87	14.9	-
10	0.597	-175	3.143	21	0.1033	-16	0.393	-113	0.91	14.8	-
10.5	0.586	177	3.089	15	0.1044	-20	0.381	-118	0.94	14.7	-
11	0.576	169	3.041	8	0.1056	-24	0.37	-123	0.96	14.6	-
11.5	0.564	161	3.002	1	0.1068	-28	0.358	-129	0.98	14.5	-
12	0.554	154	2.96	-5	0.107	-32	0.351	-134	1.01	14.4	13.8
12.5	0.547	146	2.923	-12	0.1076	-36	0.343	-140	1.03	14.3	13.3
13	0.536	139	2.886	-19	0.1076	-41	0.336	-146	1.06	14.3	12.7
13.5	0.529	131	2.848	-26	0.1081	-45	0.33	-151	1.09	14.2	12.4
14	0.522	124	2.815	-33	0.1087	-50	0.325	-156	1.11	14.1	12.1
14.5	0.517	116	2.787	-40	0.1087	-55	0.32	-161	1.13	14.1	11.9
15	0.51	108	2.765	-46	0.1093	-60	0.315	-167	1.14	14	11.7
15.5	0.505	99	2.751	-54	0.109	-65	0.311	-172	1.16	14	11.6

**Typical Common Source S-Parameters**

 CFY67-08:  $V_{DS} = 2 \text{ V}$ ,  $I_D = 15 \text{ mA}$ ,  $Z_0 = 50 \Omega$ 

$f$	$S_{11}$		$S_{21}$		$S_{12}$		$S_{22}$		k-Fact.	$S_{21}/S_{12}$	MAG
	MAG	ANG	MAG	ANG	MAG	ANG	MAG	ANG			
16	0.502	91	2.735	-61	0.109	-71	0.305	-177	1.18	14	11.4
16.5	0.499	82	2.719	-68	0.1091	-77	0.301	177	1.19	14	11.3
17	0.498	74	2.722	-75	0.1097	-82	0.297	172	1.19	13.9	11.3
17.5	0.498	68	2.741	-80	0.1103	-87	0.294	168	1.18	14	11.4
18	0.498	62	2.76	-84	0.1107	-90	0.29	165	1.17	14	11.5

**Typical Common Source S-Parameters**

 CFY67-06:  $V_{DS} = 2\text{ V}$ ,  $I_D = 15\text{ mA}$ ,  $Z_0 = 50\ \Omega$ 

$f$	$S_{11}$		$S_{21}$		$S_{12}$		$S_{22}$		k-Fact.	$S_{21}/S_{12}$	MAG
GHz	MAG	ANG	MAG	ANG	MAG	ANG	MAG	ANG	MAG	dB	dB
0.5	0.962	-13	6.112	166	0.0111	76	0.539	-15	0.42	27.4	-
1	0.937	-22	5.956	159	0.0211	69	0.525	-19	0.42	24.5	-
1.5	0.913	-33	5.81	150	0.0302	64	0.511	-24	0.44	22.8	-
2	0.889	-41	5.69	142	0.0394	58	0.498	-30	0.46	21.6	-
2.5	0.86	-51	5.522	133	0.0484	53	0.484	-36	0.48	20.6	-
3	0.834	-61	5.386	124	0.0567	48	0.469	-43	0.5	19.8	-
3.5	0.81	-71	5.236	116	0.0637	43	0.456	-49	0.52	19.1	-
4	0.784	-80	5.067	107	0.0702	38	0.44	-55	0.55	18.6	-
4.5	0.761	-90	4.911	99	0.076	33	0.423	-61	0.58	18.1	-
5	0.74	-99	4.752	91	0.0809	28	0.41	-67	0.6	17.7	-
5.5	0.72	-107	4.586	84	0.0851	24	0.397	-73	0.63	17.3	-
6	0.701	-116	4.42	76	0.0889	19	0.385	-79	0.66	17	-
6.5	0.682	-124	4.26	69	0.0918	15	0.373	-84	0.69	16.7	-
7	0.663	-131	4.107	62	0.0941	11	0.362	-89	0.73	16.4	-
7.5	0.644	-139	3.974	55	0.0962	7	0.351	-93	0.77	16.2	-
8	0.627	-148	3.852	49	0.098	3	0.343	-98	0.8	15.9	-
8.5	0.611	-157	3.747	42	0.0995	-1	0.333	-102	0.83	15.8	-
9	0.595	-165	3.659	35	0.1008	-5	0.323	-107	0.86	15.6	-
9.5	0.581	-173	3.571	29	0.1022	-9	0.313	-112	0.9	15.4	-
10	0.567	178	3.497	22	0.1039	-13	0.303	-116	0.92	15.3	-
10.5	0.556	170	3.43	16	0.1049	-17	0.293	-121	0.95	15.1	-
11	0.546	163	3.368	9	0.1064	-21	0.284	-127	0.98	15	-
11.5	0.537	155	3.317	3	0.1078	-26	0.274	-131	1	14.9	-
12	0.528	149	3.265	-4	0.1093	-30	0.265	-135	1.02	14.8	13.8
12.5	0.52	142	3.216	-10	0.1105	-35	0.255	-139	1.05	14.6	13.3
13	0.513	135	3.169	-17	0.1116	-39	0.246	-143	1.07	14.5	12.9
13.5	0.506	128	3.12	-24	0.1126	-44	0.235	-146	1.1	14.4	12.5
14	0.498	121	3.08	-30	0.1137	-49	0.225	-150	1.12	14.3	12.2
14.5	0.492	113	3.044	-37	0.1151	-54	0.215	-155	1.14	14.2	12
15	0.489	106	3.014	-44	0.116	-59	0.207	-159	1.15	14.1	11.8
15.5	0.484	98	2.99	-51	0.1171	-65	0.2	-163	1.16	14.1	11.6

**Typical Common Source S-Parameters**

 CFY67-06:  $V_{DS} = 2 \text{ V}$ ,  $I_D = 15 \text{ mA}$ ,  $Z_0 = 50 \ \Omega$ 

$f$	$S_{11}$		$S_{21}$		$S_{12}$		$S_{22}$		k-Fact.	$S_{21}/S_{12}$	MAG
	MAG	ANG	MAG	ANG	MAG	ANG	MAG	ANG			
16	0.485	91	2.967	-58	0.1185	-71	0.193	-167	1.17	14	11.5
16.5	0.485	83	2.945	-65	0.1197	-77	0.187	-171	1.17	13.9	11.4
17	0.485	75	2.947	-71	0.1206	-82	0.182	-175	1.17	13.9	11.4
17.5	0.487	69	2.961	-77	0.1215	-87	0.177	-178	1.16	13.9	11.5
18	0.49	64	2.979	-81	0.123	-90	0.174	179	1.14	13.8	11.6

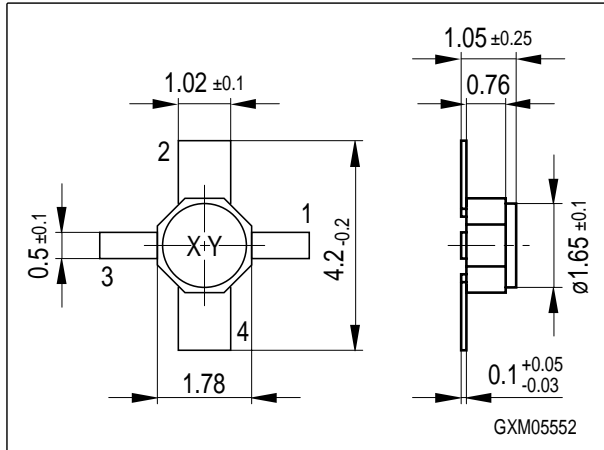
**Typical Common Source Noise- Parameters**

 CFY67-08:  $V_{DS} = 2\text{ V}$ ,  $I_D = 15\text{ mA}$ ,  $Z_0 = 50\ \Omega$ 

$f$	$NF_{min}$	$ \Gamma_{opt} $	$\angle\Gamma_{opt}$	$R_n$
GHz	dB	MAGN	ANGLE	$\Omega$
1	0.29	0.756	14	15.6
2	0.3	0.69	28	14.65
3	0.34	0.643	43	13.56
4	0.38	0.606	58	12.1
5	0.41	0.578	73	10.53
6	0.46	0.553	87	8.86
7	0.5	0.534	102	7.16
8	0.55	0.518	116	5.62
9	0.6	0.505	131	4.29
10	0.64	0.495	145	3.23
11	0.69	0.486	159	2.53
12	0.73	0.476	173	2.22
13	0.78	0.467	-173	2.37
14	0.84	0.455	-160	2.96
15	0.88	0.443	-146	4.01
16	0.93	0.428	-132	5.47
17	0.99	0.412	-118	7.26
18	1.05	0.394	-103	9.61



### Micro-X Package



Edition 2006-02-01

Published by

Infineon Technologies AG

81726 München, Germany

© Infineon Technologies AG 2007.

All Rights Reserved.

### **Attention please!**

The information given in this dokument shall in no event be regarded as a guarantee of conditions or characteristics ("Beschaffenhheitsgarantie"). With respect to any examples or hints given herein, any typical values stated herein and/or any information regarding the application of the device, Infineon Technologies hereby disclaims any and all warranties and liabilities of any kind, including without limitation warranties of non-infringement of intellectual property rights of any third party.

### **Information**

For further information on technology, delivery terms and conditions and prices please contact your nearest Infineon Technologies Office ([www.infineon.com](http://www.infineon.com)).

### **Warnings**

Due to technical requirements components may contain dangerous substances. For information on the types in question please contact your nearest Infineon Technologies Office.

Infineon Technologies Components may only be used in life-support devices or systems with the express written approval of Infineon Technologies, if a failure of such components can reasonably be expected to cause the failure of that life-support device or system, or to affect the safety or effectiveness of that device or system.

Life support devices or systems are intended to be implanted in the human body, or to support and/or maintain and sustain and/or protect human life. If they fail, it is reasonable to assume that the health of the user or other persons may be endangered.