

## Power Supply Parallel or Redundancy Module



- ◆ OR-ing Diodes Included
- ◆ Alarm Signals
- ◆ LED Indicators
- ◆ DIN Rail Mounting

**RoHS**

### Features and Benefits

#### Feature

- ◆ Internal ORing Diodes
- ◆ Can connect two units in parallel
- ◆ Output voltage monitoring (via relays)
- ◆ DIN Rail Mounting

#### Benefit

- ◆ Allows redundant operating
- ◆ Enables system scalability
- ◆ Remote alarm notification
- ◆ Easier system integration

### Specifications

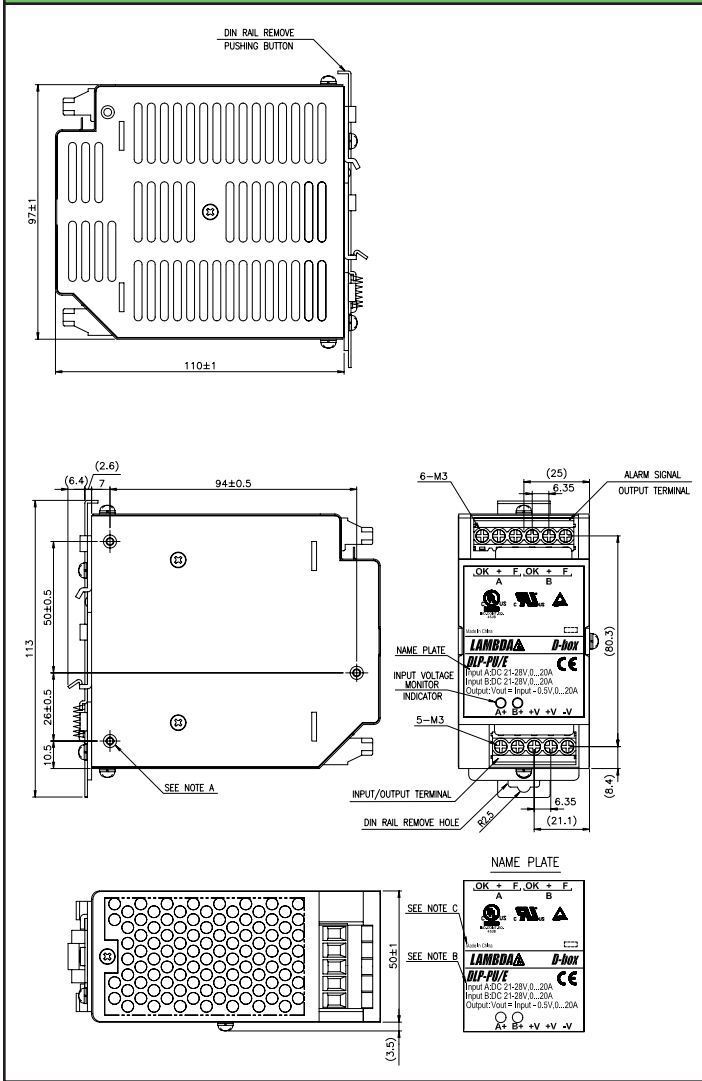
MODELS		DLP-PU/E
ITEMS		
Input Voltage Range	VDC	21 - 28VDC
Number of inputs	-	Two
Maximum Input Current	A	20A per input
Maximum Output Current	A	20A
Overcurrent protection	-	None
Voltage Drop	VDC	0.5V
Maximum Reverse Voltage	VDC	35VDC
LED Indicators	-	Two green LEDs indicating each input is "good"
Input Voltage Alarm	-	Relay off when input is < 19.2V (±1%) or > 30V (±5%). NO and NC contacts
Relay contact rating (max)	-	28VDC, 1A or 120VAC, 0.5A (5mA minimum recommended)
Cooling	-	Convection
Operating Temperature	-	-10 to +70°C, derate linearly to 60% from 60 to 70°C
Storage Temperature	-	-30 to +90°C
Humidity	-	Operating: 30 - 90%RH, Storage: 10 - 95%RH (non condensing)
Withstand Voltage	-	Input or Output - Chassis, Input or Output - Relay Contacts, Relay Contacts to Chassis; 500VAC for 1 min.
Isolation Resistance	-	Input or Output - Chassis, Input or Output - Relay Contacts, Relay Contacts to Chassis; >10M Ohms at 25°C, 70%RH and 500VDC
Vibration	-	Non operating, mounted on DIN Rail, 10-55Hz (sweep for 1 min), 9.8m/s <sup>2</sup> constant X, Y, Z each for 1 hour
Shock	-	196m/s <sup>2</sup>
Safety Agency Approval	-	UL60950-1, CSA60950-1, EN60950-1, UL508, CSA22.2 No.14, EN60529 IP20, EN50178 Cat 1
Size	mm/in	50 x 97 x 110mm, 1.97x 3.81 x 4.33"
Weight	g	470g
Warranty	yrs	Three Years

Note:

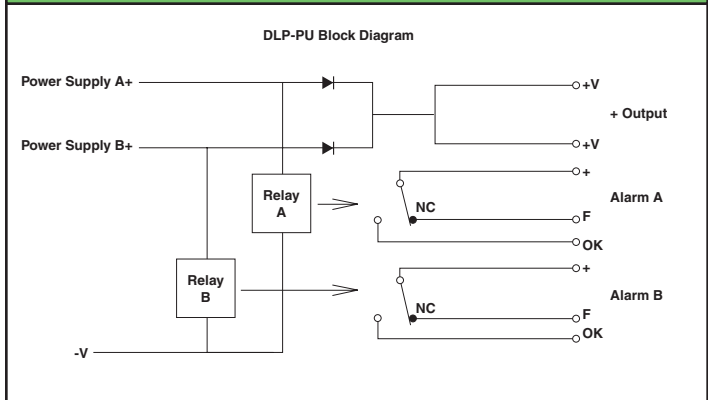
See Installation Manual for full details, test methods of parameters and application notes

# DLP-PU Series

## Outline Drawing



## Block Diagram



## Other DIN Rail Products

- DLP 75W to 240W power supplies
- DPP/DSP 10W to 480W low cost power supplies
- R Series 3A to 30A single & three phase EMI Filters

**Snap-on Mounting:** snap onto DIN Rail TS35/7.5 or TS35/15.  
(no tools required)

For Additional Information, please visit  
[us.tdk-lambda.com/lp/products/dlp-series.htm](http://us.tdk-lambda.com/lp/products/dlp-series.htm)