



- OR-ing Diodes Included
- Alarm Signals
- LED Indicators
- DIN Rail Mounting

DLP-PU Series

Power Supply
Parallel or Redundancy Module

Key Market Segments & Applications

- Industrial Controls: Motor Control Systems
- Factory Automation: Process Control, Automotive, Chemical Processing
- Test & Measurement: Burn in & Test, Instrumentation Measurement

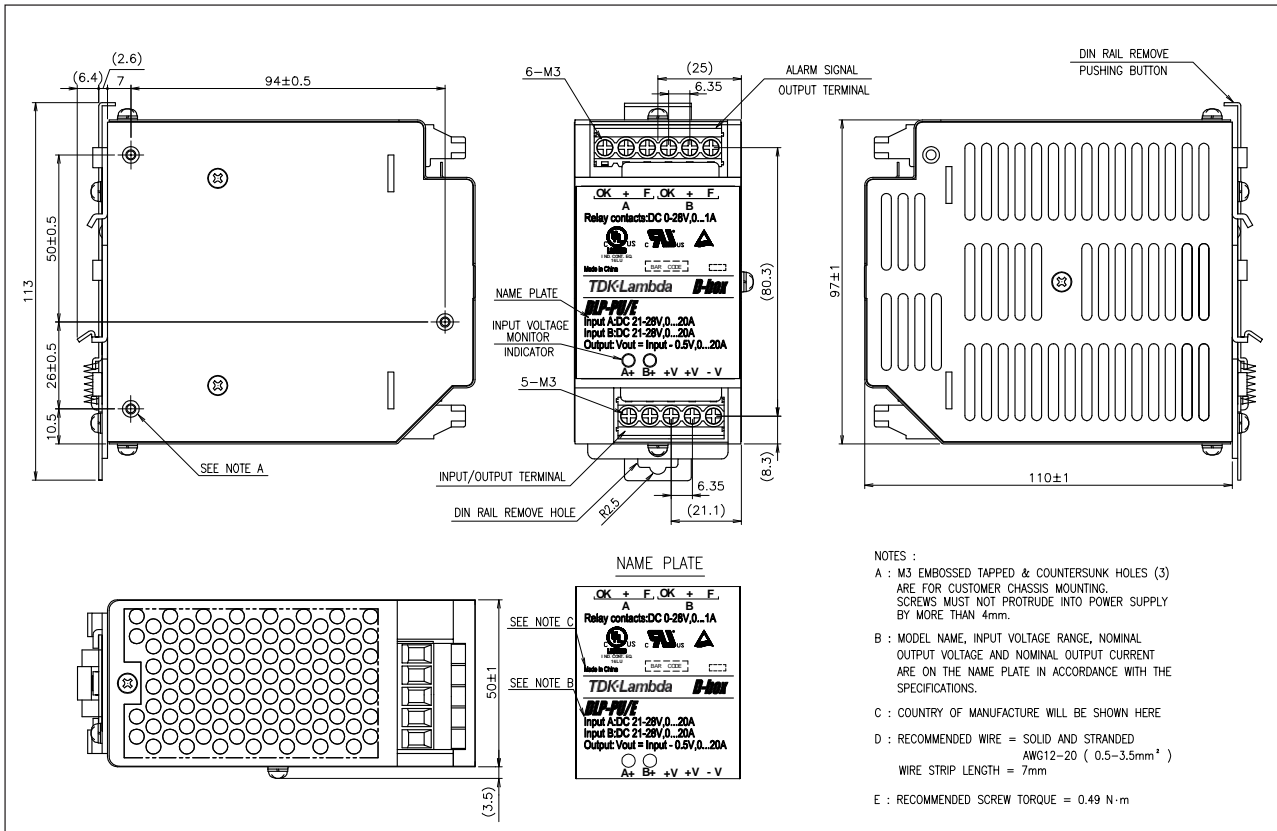
DLP-PU Features and Benefits

Features	Benefits
<ul style="list-style-type: none"> • Internal ORing Diodes • Can Connect Two Units in Parallel • Output Voltage Monitoring (via relays) • DIN Rail Mounting 	<ul style="list-style-type: none"> • Allows Redundant Operating • Enables System Scalability • Remote Alarm Notification • Easier System Integration

Specifications		
ITEMS	MODELS	DLP-PU/E
Input Voltage Range	VDC	21 - 28
Number of inputs	-	Two
Maximum Input Current	A	20 per input
Maximum Output Current	A	20
Overcurrent protection	-	None
Voltage Drop	VDC	0.5
Maximum Reverse Voltage	VDC	35
LED Indicators	-	Two green LEDs indicating each input is "good"
Input Voltage Alarm	-	Relay off when input is <19.2V (±1%) or > 30V (±5%). NO and NC contacts
Relay contact rating (max)	-	28VDC, 1A or 120VAC, 0.5A (5mA minimum recommended)
Cooling	-	Convection
Operating Temperature	°C	-10 to +70, derate linearly to 60% from 60 to 70
Storage Temperature	°C	-30 to +85
Humidity	-	Operating: 30 - 90%RH, Storage: 10 - 95%RH (non condensing)
Withstand Voltage	-	Input or Output - Chassis, Input or Output - Relay Contacts, Relay Contacts to Chassis; 500VAC for 1 min.
Isolation Resistance	-	Input or Output - Chassis, Input or Output - Relay Contacts, Relay Contacts to Chassis; >10M Ohms at 25°C, 70%RH and 500VDC
Vibration	-	Non operating, mounted on DIN Rail, 10-55Hz (sweep for 1 min), 9.8m/s ² constant X, Y, Z each for 1 hour
Shock	-	196m/s ²
Safety Agency Approval	-	UL60950-1, CSA60950-1, EN60950-1, UL508, CSA22.2 No.14, EN60529 IP20, EN50178 Cat 1
Size	mm/in	50 x 97 x 110, (1.97x 3.81 x 4.33)
Weight	g	470
Warranty	yrs	3 Years



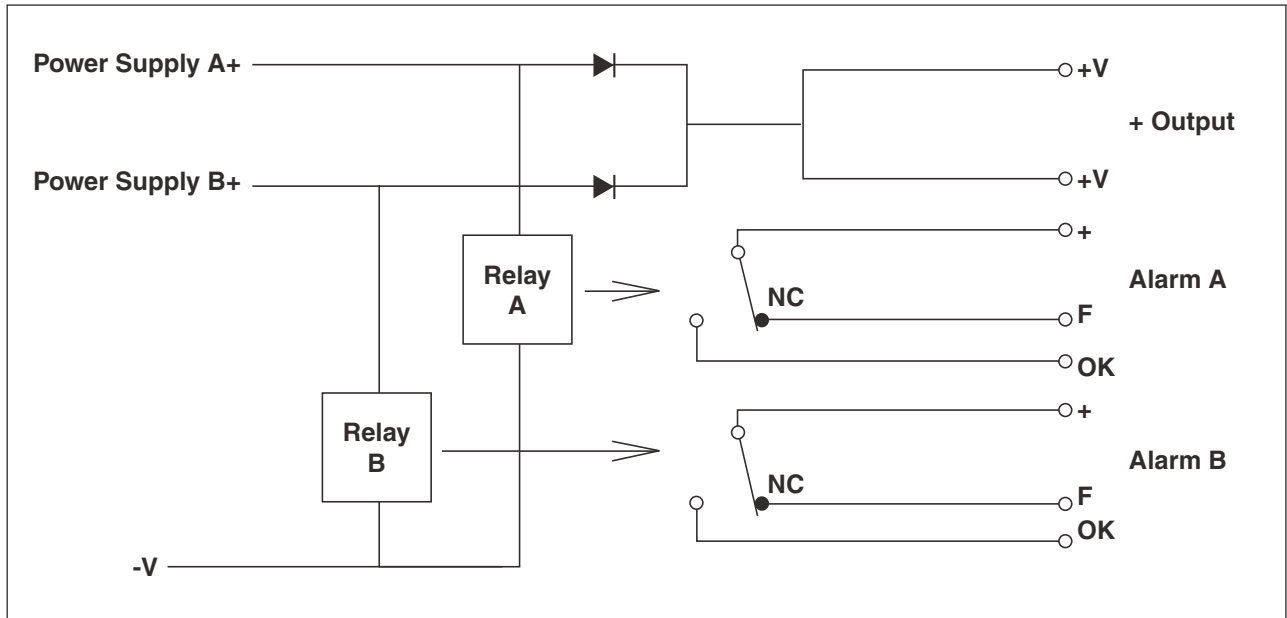
Outline Drawing DLP-PU Series



- NOTES :
- A : M3 EMBOSSED TAPPED & COUNTERSUNK HOLES (3) ARE FOR CUSTOMER CHASSIS MOUNTING. SCREWS MUST NOT PROTRUDE INTO POWER SUPPLY BY MORE THAN 4mm.
 - B : MODEL NAME, INPUT VOLTAGE RANGE, NOMINAL OUTPUT VOLTAGE AND NOMINAL OUTPUT CURRENT ARE ON THE NAME PLATE IN ACCORDANCE WITH THE SPECIFICATIONS.
 - C : COUNTRY OF MANUFACTURE WILL BE SHOWN HERE
 - D : RECOMMENDED WIRE = SOLID AND STRANDED AWG12-20 (0.5-3.5mm²) WIRE STRIP LENGTH = 7mm
 - E : RECOMMENDED SCREW TORQUE = 0.49 N·m



Block Diagram DLP-PU Series



For full data and drawings please visit
www.emea.tdk-lambda.com/www/dlp



TDK-LAMBDA EMEA

www.emea-tdk-lambda.com



TDK-Lambda Germany GmbH
 Karl-Bold-Strasse 40
 77855 Achern
 Germany
 Tel: +49 7841 666 0
 Fax: +49 7841 5000
 info.germany@de.tdk-lambda.com
 www.emea.tdk-lambda.com



TDK-Lambda Austria Sales Office
 Aredstrasse 22
 2544 Leobersdorf
 Austria
 Tel: +43 2256 655 84
 Fax: +43 2256 645 12
 info.germany@de.tdk-lambda.com
 www.emea.tdk-lambda.com



TDK-Lambda UK Ltd.
 Kingsley Avenue
 Ilfracombe
 Devon EX34 8ES
 United Kingdom
 Tel: +44 (0) 12 71 85 66 66
 Fax: +44 (0) 12 71 86 48 94
 powersolutions@uk.tdk-lambda.com
 www.uk.tdk-lambda.com



TDK-Lambda France SAS
 ZAC des Delaches
 BP 1077-Gometz-le-Chatel
 91940 LES ULIS
 France
 Tel: +33 1 60 12 71 65
 Fax: +33 1 60 12 71 66
 france@fr.tdk-lambda.com
 www.fr.tdk-lambda.com



TDK-Lambda Italy
 Via dei Laboratori 128/130
 20092 Cinisello Balsamo (MI)
 Italy
 Tel: +39 02 61 29 38 63
 Fax: +39 02 61 29 09 00
 info.italia@it.tdk-lambda.com
 www.it.tdk-lambda.com



TDK-Lambda Corporation
 Nittetsu Bldg 6F
 1-13-1 Nihonbashi
 Chuo-ku
 Tokyo 103-0027 Japan
 Tel: +81 3 5201 7175
 Fax: +81 3 5201 7287
 www.tdk-lambda.com



Nemic Lambda Ltd.
 Kibbutz Givat
 Hashlosha 48800
 Israel
 Tel: +9 723 902 4333
 Fax: +9 723 902 4777
 info@nemic.co.il
 www.nemic.co.il



TDK-Lambda Americas Inc.
 Low Power
 3055 Del Sol Blvd
 San Diego CA 92154
 USA
 Tel: +1 800-LAMBDA-4 or 1-800-526-2324
 Tel: +1 619-575-4400
 Fax: +1 619-429-1011
 www.us.tdk-lambda.com/lp/

 High Power
 405 Essex Road Neptune NJ 07753
 USA
 Tel: +1 732 922 9300
 Fax: +1 732 922 1441
 www.us.tdk-lambda.com/hp/

LOCAL DISTRIBUTION

