

### FEATURES

- SFP reference design available
- Input sensitivity: 3 mV p-p
- 80 ps rise/fall times
- CML outputs: 700 mV p-p differential
- Programmable LOS detector: 2 mV to 13 mV
- Rx signal strength indicator (RSSI):  
SFF-8472 compliant average power measurement
- Single-supply operation: 3.3 V
- Low power dissipation: 130 mW
- Available in space-saving 3 mm × 3 mm 16-lead LFCSP

### APPLICATIONS

- SFP/SFF/GBIC optical transceivers
- OC-3/12/48, GbE, Fibre Channel receivers
- 10GBASE-LX4 transceivers
- WDM transponders

### GENERAL DESCRIPTION

The ADN2890 is a high gain, limiting amplifier optimized for use in SONET, Gigabit Ethernet (GbE), and Fibre Channel optical receivers that accept input levels of up to 2.0 V p-p differential and have 3 mV p-p differential input sensitivity. The ADN2890 provides the receiver functions of quantization and loss of signal (LOS) detection. The ADN2890 can easily operate at up to 3.2 Gb/s to support LX4 transceivers.

The limiting amplifier also measures average received power based on a direct measurement of the photodiode current with better than 1 dB of accuracy over the entire input range of the receiver. This eliminates the need for external average Rx power detection circuitry in SFF-8472 compliant optical transceivers.

The ADN2890 limiting amplifier operates from a single 3.3 V supply, has low power dissipation, and is available in a space-saving 3 mm × 3 mm 16-lead lead frame chip scale package (LFCSP).

### FUNCTIONAL BLOCK DIAGRAM

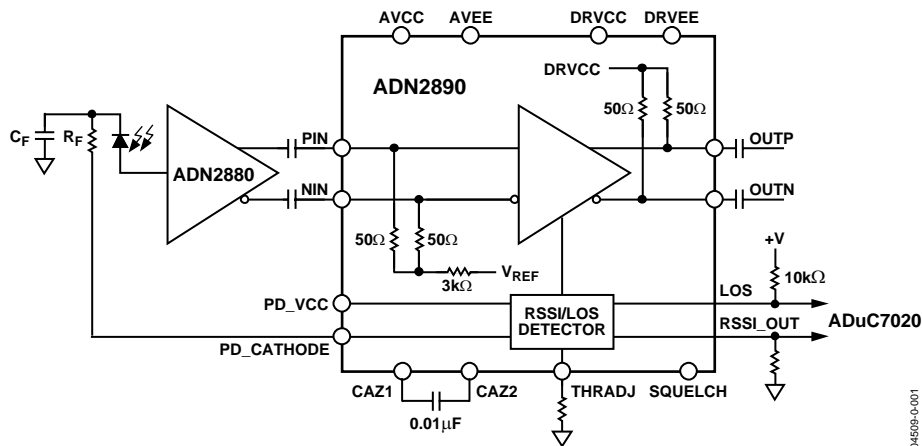


Figure 1.

### Rev. 0

Information furnished by Analog Devices is believed to be accurate and reliable. However, no responsibility is assumed by Analog Devices for its use, nor for any infringements of patents or other rights of third parties that may result from its use. Specifications subject to change without notice. No license is granted by implication or otherwise under any patent or patent rights of Analog Devices. Trademarks and registered trademarks are the property of their respective owners.

## TABLE OF CONTENTS

Specifications.....	3	Loss of Signal (LOS) Detector .....	8
Absolute Maximum Ratings.....	5	Received Signal Strength Indicator (RSSI).....	8
Thermal Resistance .....	5	Squelch Mode .....	8
ESD Caution.....	5	Applications Information .....	9
Pin Configuration and Function Descriptions.....	6	PCB Design Guidelines .....	9
Typical Performance Characteristics .....	7	Outline Dimensions .....	11
Theory of Operation .....	8	Ordering Guide .....	11
LIMAMP .....	8		

## REVISION HISTORY

Revision 0: Initial Version

## SPECIFICATIONS

VCC = V<sub>MIN</sub> to V<sub>MAX</sub>, VEE = 0 V, T<sub>A</sub> = T<sub>MIN</sub> to T<sub>MAX</sub>, unless otherwise noted.

Table 1.

Parameter	Min	Typ	Max	Unit	Test Conditions/Comments
<b>QUANTIZER DC CHARACTERISTICS</b>					
Input Voltage Range	1.8		2.8	V p-p	@ PIN or NIN, dc-coupled
Input Common Mode	2.1		2.7	V	DC-coupled
Peak-to-Peak Differential Input Range			2.0	V p-p	PIN – NIN, ac-coupled
Input Sensitivity	4	3		mV p-p	PIN – NIN, BER ≤ 1 × 10 <sup>-10</sup>
Input Offset Voltage		100		μV	
Input RMS Noise		235		μV rms	
Input Resistance		50		Ω	Single-ended
Input Capacitance		0.65		pF	
<b>QUANTIZER AC CHARACTERISTICS</b>					
Input Data Rate	155		2700	Mb/s	
Small Signal Gain		57		dB	Differential
S11		-10		dB	Differential, f < 2.7 GHz
S22		-10		dB	Differential, f < 2.7 GHz
Random Jitter		2.4	5	ps rms	Input ≥ 10 mV p-p, OC-48, PRBS 2 <sup>23</sup> – 1
Deterministic Jitter		13.7	19	ps p-p	Input ≥ 10 mV p-p, OC-48, PRBS 2 <sup>23</sup> – 1
Low Frequency Cutoff		30		kHz	CAZ = Open
		1.0		kHz	CAZ = 0.0 1 μF
Power Supply Rejection		45		dB	100 kHz < f < 10 MHz
<b>LOSS OF SIGNAL DETECTOR (LOS)</b>					
LOS Assert Level	0.5	2.5	4.0	mV p-p	R <sub>THRADJ</sub> = 100 kΩ
	7.0	12.0	16.0	mV p-p	R <sub>THRADJ</sub> = 0 Ω
Hysteresis		3.0	6.0	dB	OC-3, PRBS 2 <sup>23</sup> – 1, R <sub>THRADJ</sub> = 0 Ω
	2.0	3.0		dB	OC-3, PRBS 2 <sup>23</sup> – 1, R <sub>THRADJ</sub> = 10 kΩ
		4.5	7.5	dB	OC-48, PRBS 2 <sup>23</sup> – 1, R <sub>THRADJ</sub> = 0 Ω
	2.5	4.5		dB	OC-48, PRBS 2 <sup>23</sup> – 1, R <sub>THRADJ</sub> = 100 kΩ
LOS Assert Time		600		ns	DC-coupled
LOS De-Assert Time		100		ns	DC-coupled
<b>RSSI</b>					
Input Current Range	5		1000	μA	
RSSI Output Accuracy			15%		I <sub>IN</sub> ≤ 20 μA
			10%		I <sub>IN</sub> > 20 μA
Gain		1.0		mA/mA	I <sub>RSSI</sub> /I <sub>PD</sub>
Offset		50		nA	
Compliance Voltage	V <sub>CC</sub> – 1.05		V <sub>CC</sub> – 0.3	V	@ PD_CATHODE
<b>POWER SUPPLIES</b>					
V <sub>CC</sub>	3.0	3.3	3.6	V	
I <sub>CC</sub>		39	54	mA	
<b>OPERATING TEMPERATURE RANGE</b>					
	-40	+25	+85	°C	T <sub>MIN</sub> to T <sub>MAX</sub>
<b>CML OUTPUT CHARACTERISTICS</b>					
Output Impedance		50		Ω	Single-ended
Output Voltage Swing	650	700	800	V p-p	Differential
Output Rise and Fall Time		80	100	ps	20% to 80%
<b>LOGIC INPUTS (SQUELCH)</b>					
V <sub>IH</sub> , Input High Voltage	2.0			V	
V <sub>IL</sub> , Input Low Voltage			0.8	V	
Input Current	-100			nA	I <sub>INH</sub> , V <sub>IN</sub> = 2.4 V
			100	nA	I <sub>INL</sub> , V <sub>IN</sub> = 0.4 V

# ADN2890

Parameter	Min	Typ	Max	Unit	Test Conditions/Comments
LOGIC OUTPUTS (LOS)					
$V_{OH}$ , Output High Voltage	2.4			V	Open drain output, 4.7 k $\Omega$ – 10 k $\Omega$ pull-up resistor to $V_{CC}$
$V_{OL}$ , Output Low Voltage			0.4	V	Open drain output, 4.7 k $\Omega$ – 10 k $\Omega$ pull-up resistor to $V_{CC}$

## ABSOLUTE MAXIMUM RATINGS

Table 2.

Parameter	Rating
Supply Voltage	4.2 V
Minimum Input Voltage (All Inputs)	VEE – 0.4 V
Maximum Input Voltage (All Inputs)	VCC + 0.4 V
Storage Temperature	–65°C to +155°C
Operating Temperature Range	–40°C to +85°C
Lead Temperature Range (Soldering 10 s)	300°C
Junction Temperature	125°C

Stresses above those listed under Absolute Maximum Ratings may cause permanent damage to the device. This is a stress rating only and functional operation of the device at these or any other conditions above those indicated in the operational section of this specification is not implied. Exposure to absolute maximum rating conditions for extended periods may affect device reliability.

### THERMAL RESISTANCE

$\theta_{JA}$  is specified for 4-layer PCB with exposed paddle soldered to GND.

Table 3.

Package Type	$\theta_{JA}$	Unit
16-lead 3 mm × 3 mm LFCSP	28	°C/W

### ESD CAUTION

ESD (electrostatic discharge) sensitive device. Electrostatic charges as high as 4000 V readily accumulate on the human body and test equipment and can discharge without detection. Although this product features proprietary ESD protection circuitry, permanent damage may occur on devices subjected to high energy electrostatic discharges. Therefore, proper ESD precautions are recommended to avoid performance degradation or loss of functionality.



## PIN CONFIGURATION AND FUNCTION DESCRIPTIONS

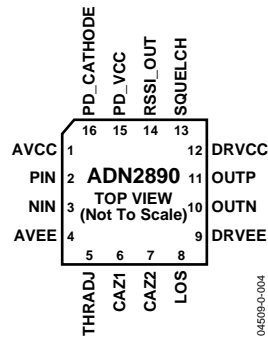


Figure 2. Pin Configuration

Note: There is an exposed pad on the bottom of the package that must be connected to the GND plane with filled vias.

Table 4. Pin Function Descriptions

Pin No.	Mnemonic	I/O	Description
1	AVCC	Power	Analog Power
2	PIN	Input	Differential Data Input
3	NIN	Input	Differential Data Input
4	AVEE	Power	Analog Ground
5	THRADJ	Input	LOS Threshold Adjust Resistor
6	CAZ1		Offset Correction Loop Capacitor
7	CAZ2		Offset Correction Loop Capacitor
8	LOS	Output	LOS Detector Output
9	DRVEE	Power	Output Buffer Ground
10	OUTN	Output	Differential Data Output
11	OUTP	Output	Differential Data Output
12	DRVCC	Power	Output Buffer Power
13	SQUELCH	Input	Disable Outputs
14	RSSI_OUT	Output	Average Current Output
15	PD_VCC	Power	Power Input for RSSI Measurement
16	PD_CATHODE	Output	Photodiode Bias Voltage
Exposed Pad	Pad	Power	Connect to Ground

## TYPICAL PERFORMANCE CHARACTERISTICS

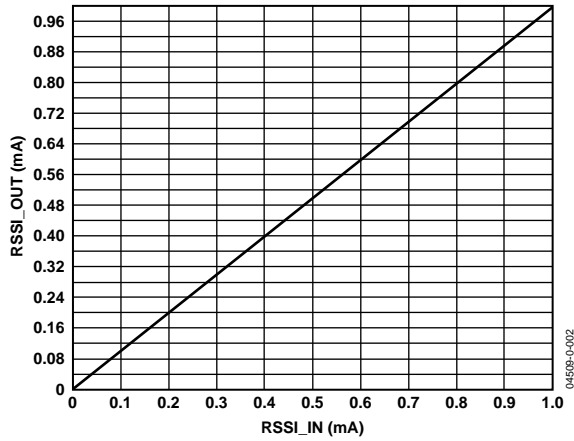


Figure 3. RSSI Output vs. Average PIN Photodiode Current

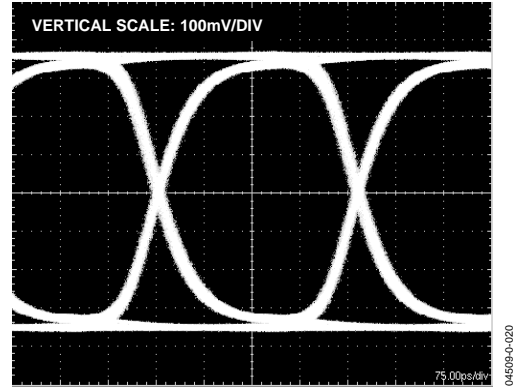


Figure 6. Eye Diagram at 3.2 Gb/s

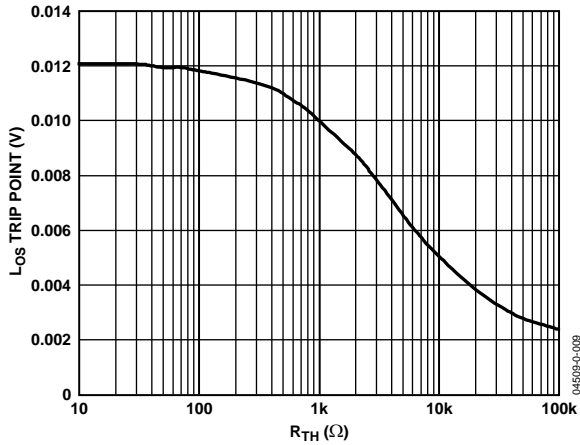


Figure 4. L<sub>05</sub> Trip Point vs. Threshold Adjust Resistor

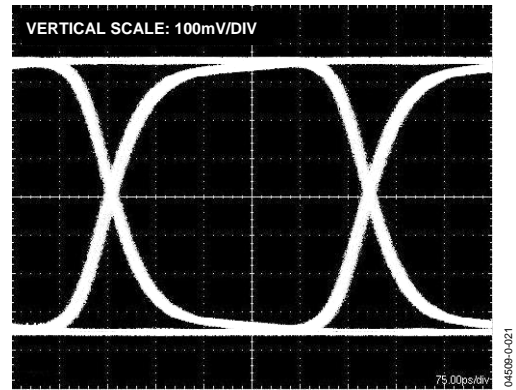


Figure 7. Eye Diagram at 2.488 Gb/s

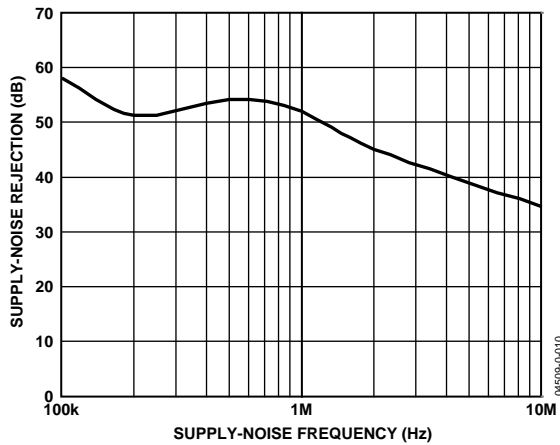


Figure 5. Typical PSRR vs. Supply-Noise Frequency

## THEORY OF OPERATION

### LIMAMP

#### *Input Buffer*

The limiting amplifier has differential inputs (PIN/NIN), with an internal  $50\ \Omega$  termination. The ROSA (receive optical sub-assembly) is typically ac-coupled to the ADN2890 inputs, although dc coupling is possible.

An internal offset correction loop requires that a capacitor be connected between the CAZ1 and CAZ2 pins. A  $0.01\ \mu\text{F}$  capacitor provides a low frequency cutoff of 2 kHz.

#### *CML Output Buffer*

The ADN2890 provides CML outputs, OOTP/OUTN. The outputs are internally terminated with  $50\ \Omega$  to VCC.

The outputs can be kept at a static voltage by driving the SQUELCH pin to a logic high. The SQUELCH pin can be driven directly by the LOS pin, which automatically disables the LIMAMP outputs in situations with no data input.

### LOSS OF SIGNAL (LOS) DETECTOR

The receiver front-end LOS detector circuit indicates when the input signal level has fallen below the user-adjustable threshold. The threshold is set by a resistor connected between the THRADJ pin and  $V_{EE}$ . The ADN2890 LOS circuit has a trip point down to  $<3.0\ \text{mV}$  with  $>3\ \text{dB}$  electrical hysteresis to prevent chatter at the LOS output. The LOS output is an open-collector output that must be pulled up externally with a  $4.7\ \text{k}\Omega$  to  $10\ \text{k}\Omega$  resistor.

### RECEIVED SIGNAL STRENGTH INDICATOR (RSSI)

The ADN2890 has an on-chip RSSI circuit that automatically detects the average received power based on a direct measurement of the PIN photodiode's current. The photodiode bias is supplied by the ADN2890, which allows a very accurate, on-chip, average power measurement based on the amount of current supplied to the photodiode. The output of the RSSI is a current that is directly proportional to the average amount of PIN photodiode current. Placing a resistor between the RSSI\_OUT pin and GND converts the current to a GND referenced voltage. This function eliminates the need for external RSSI circuitry in SFF-8472 compliant optical receivers.

### SQUELCH MODE

Driving the SQUELCH input to a logic high disables the limiting amplifier outputs. The SQUELCH input can be connected to the LOS output to keep the limiting amplifier outputs at a static voltage level anytime the input level to the limiting amplifier drops below the programmed LOS threshold.



## APPLICATIONS INFORMATION

### PCB DESIGN GUIDELINES

Proper RF PCB design techniques must be used for optimal performance.

#### Power Supply Connections and Ground Planes

Use of one low impedance ground plane is recommended. The VEE pins should be soldered directly to the ground plane to reduce series inductance. If the ground plane is an internal plane and connections to the ground plane are made through vias, multiple vias can be used in parallel to reduce the series inductance, especially on Pin 9, which is the ground return for the output buffers. The exposed pad should be connected to the GND plane using filled vias so that solder does not leak through the vias during reflow. Using filled vias under the package

greatly enhances the reliability of the connectivity of the exposed pad to the GND plane during reflow.

Use of a 10  $\mu$ F electrolytic capacitor between VCC and VEE is recommended at the location where the 3.3 V supply enters the PCB. When using 0.1  $\mu$ F and 1 nF ceramic chip capacitors, they should be placed between the IC power supply VCC and VEE, as close as possible to the ADN2890 VCC pins.

If connections to the supply and ground are made through vias, the use of multiple vias in parallel helps to reduce series inductance, especially on Pin 12, which supplies power to the high speed OUTP/OUTN output buffers. Refer to the schematic in Figure 8 for recommended connections.

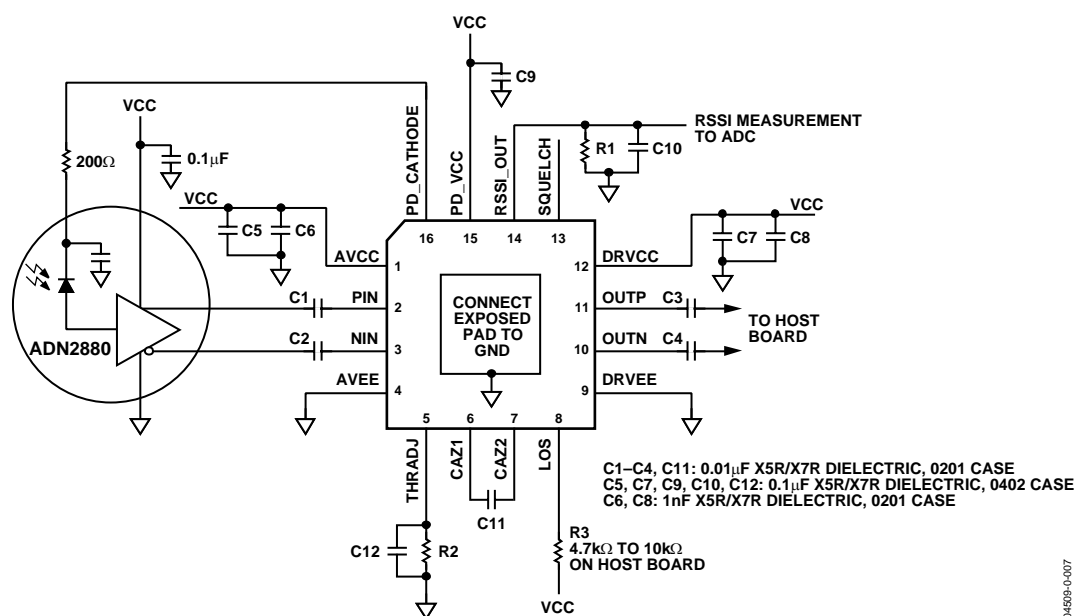


Figure 8. Typical ADN2890 Applications Circuit

0489B-0-007

## PCB Layout

Figure 9 shows a recommended PC board layout. Use of 50  $\Omega$  transmission lines is required for all high frequency input and output signals to minimize reflections: PIN, NIN, OUTP and OUTN. It is also necessary for the PIN/NIN input traces to be matched in length, and OUTP/OUTN output traces to be matched in length to avoid skew between the differential traces. C1, C2, C3, and C4 are ac-coupling capacitors in series with the high speed I/O. It is recommended that components be used such that the pad for the capacitor is the same width as the transmission line in order to minimize the mismatch in the 50  $\Omega$  transmission line at the capacitor's pads. It is recommended that the transmission lines not change layers through vias, if possible. For supply decoupling, the 1 nF decoupling capacitor should be placed on the same layer as the ADN2890 as close as possible to the VCC pin. The 0.1  $\mu$ F capacitor can be placed on the bottom of the PCB directly underneath the 1 nF decoupling capacitor. All high speed CML outputs are back-terminated on

chip with 50  $\Omega$  resistors connected between the output pin and VCC. The high speed inputs, PIN and NIN, are internally terminated with 50  $\Omega$  to an internal reference voltage.

As with any high speed mixed-signal design, take care to keep all high speed digital traces away from sensitive analog nodes.

## Soldering Guidelines for Chip Scale Package

The lands on the 16 LFCSP are rectangular. The printed circuit board pad for these should be 0.1 mm longer than the package land length and 0.05 mm wider than the package land width. The land should be centered on the pad. This ensures that the solder joint size is maximized. The bottom of the chip scale package has a central exposed pad. The pad on the printed circuit board should be at least as large as this exposed pad. The user must connect the exposed pad to VEE using filled vias so that solder does not leak through the vias during reflow. This ensures a solid connection from the exposed pad to VEE.

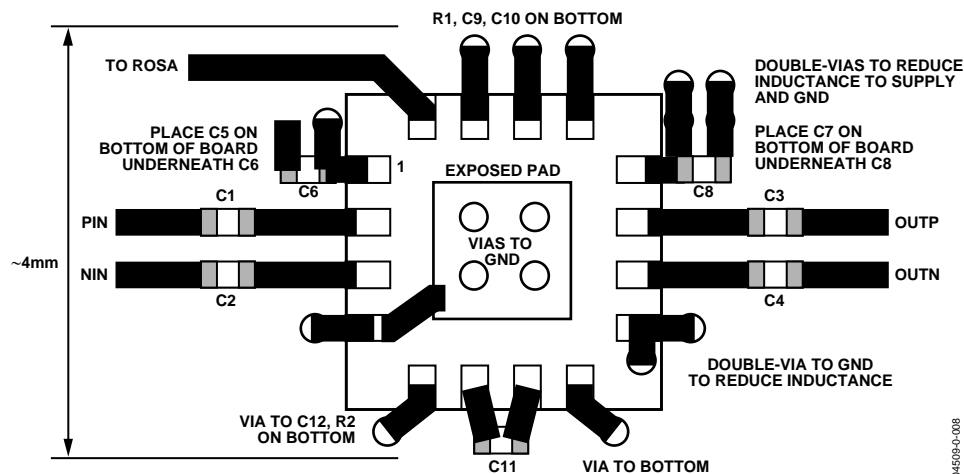
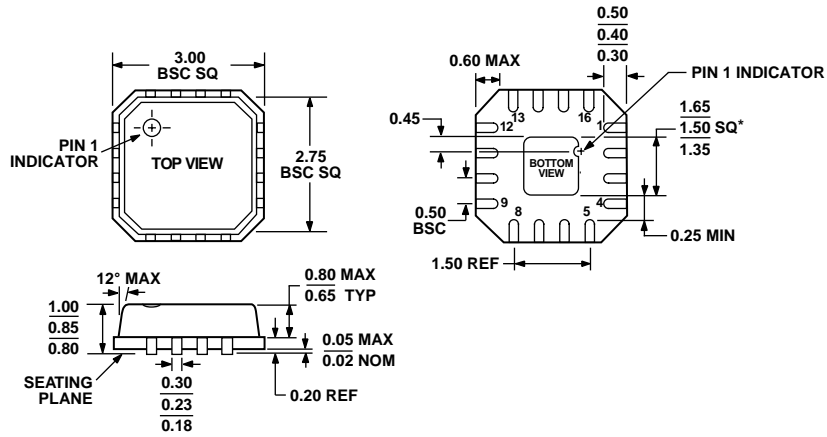


Figure 9. Recommended ADN2890 PCB Layout

# OUTLINE DIMENSIONS



\* COMPLIANT TO JEDEC STANDARDS MO-220-VEED-2 EXCEPT FOR EXPOSED PAD DIMENSION

Figure 10. 16-Lead Lead Frame Chip Scale Package [LFCSP]  
 3 mm × 3 mm Body  
 (CP-16-3)  
 Dimensions shown in millimeters

## ORDERING GUIDE

Model	Temperature Range	Package Description	Package Option	Branding
ADN2890ACP	-40°C to +85°C	16-LFCSP	CP-16-3	F02
ADN2890ACP-RL	-40°C to +85°C	16-LFCSP	CP-16-3	F02
ADN2890ACP-RL7	-40°C to +85°C	16-LFCSP	CP-16-3	F02

**ADN2890**

**NOTES**