



T SERIES

Power Modules

Features

- Flexible mounting, for Printed Circuit Board or Panel
- Low profile
- Terminals in fast on or pin format

DESCRIPTION

These modules provide complete power control in a single package, up to 42.5 Amps various circuit design with connections for printed circuit board or panel mounting. Ceramic base with 2500 Vrms isolation. UL recognition pending.

PART NUMBER IDENTIFICATION

EX.:CT674

Circuit Type	Current	Circuit type	Voltage
T - Case style	5 - 25 Amps 6 - 42.5 Amps	(See schematics diagram) Any type of Bridge Free Wheeling Diode "F"	1 - 120 2 - 240 3 - 280 4 - 480

ELECTRICAL SPECIFICATION

5

6

SYMBOL	SPECIFICATION	RATINGS	
I_D	Maximum DC Output Current ($T_c = 85^\circ\text{C}$)	25 Amps	42.5 Amps
V_F	Maximum Voltage Drop @ Amps Peak	1.80V @ $I_F=25\text{A}$	1.60V @ $I_F=42.5\text{A}$
T_J	Operating Junction Temperature Range	-40°C to +125°C	
di/dt	Critical Rate of Rise of On-State Current @ $T_J=125^\circ\text{C}$	100A/ μs	100A/ μs
dv/dt	Critical Rate of Rise of Off-State Voltage [V/ μs]	200V/ μs	200V/ μs
V_{RRM}	Repetitive Peak Reverse Voltage (AC Line)		400 (120 Vac) 600 (240 Vac) 1000 (380 Vac) 1200 (480 Vac)
I_{TSM}	Maximum Non-Repetitive Surge Current ($1/2$ Cycle, 60Hz)	300A	600A
I^2T	Maximum I^2T for Fusing ($t=8.3\text{ms}$) [$\text{A}^2 \text{sec}$]	375	1500
R_{qJC}	Maximum Thermal Resistance Junction to Ceramic Base per Chip	0.9°K/W	0.7°K/W
V_{ISOL}	Isolation Voltage	2500 V _{RMS}	2500 V _{RMS}

MECHANICAL SPECIFICATIONS

Weight: (typical)

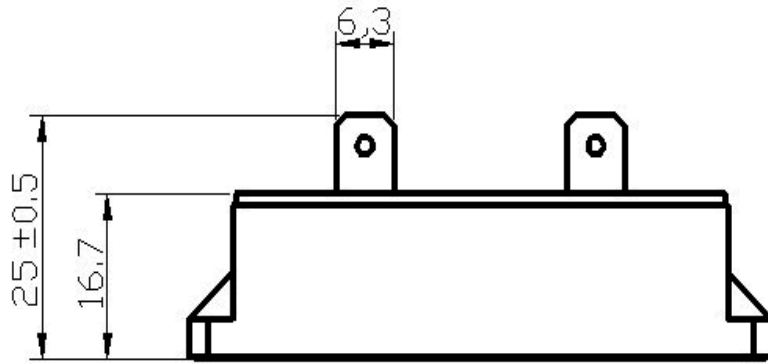
1.7 oz. (43g)

©C3 Semiconductors, LLC. All rights are reserved

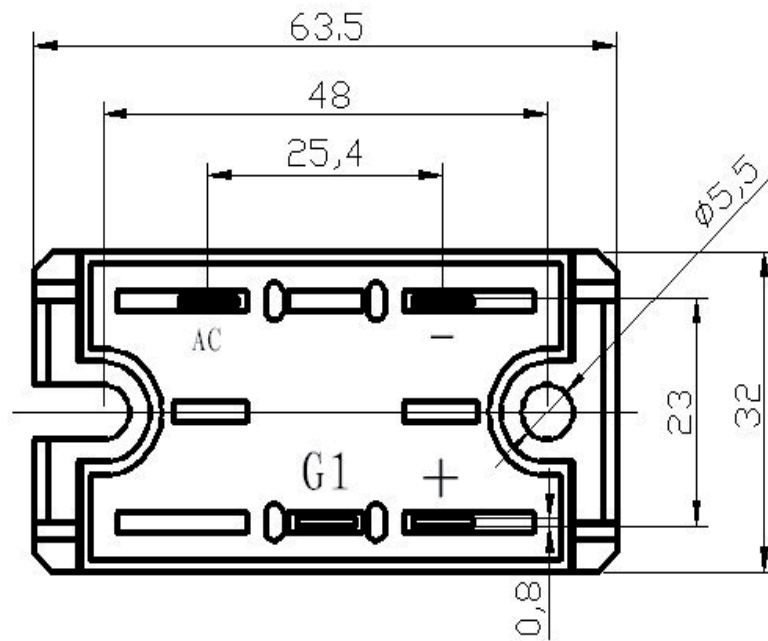
For recommended applications and more information contact:
USA: Sales Support (888) 882-8689

Email: sales@c3semi.com WEB SITE: <http://www.C3semi.com>

MECHANICAL DIMENSIONS AND CIRCUIT DIAGRAM

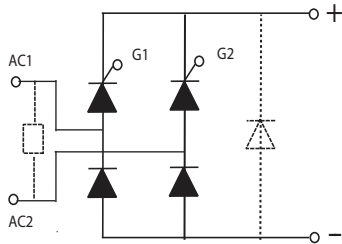


Package Dimensions mm SIDE
5 and 6 Models

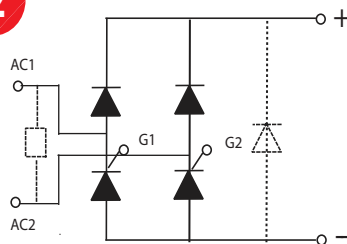


SERIES T CIRCUITS

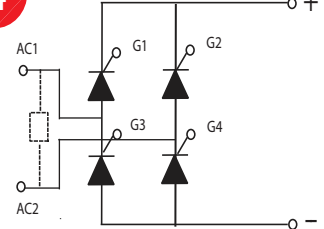
1



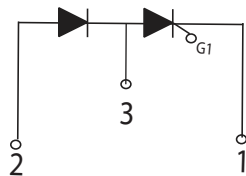
2



4



7



©C3 Semiconductors, LLC. All rights are reserved

For recommended applications and more information contact:
 USA: Sales Support (888) 882-8689
 C3 Semiconductors, LLC. 2320 Paseo de las Americas, Ste. 104, San Diego, CA 92154
 Email: sales@c3semi.com WEB SITE: <http://www.C3semi.com>