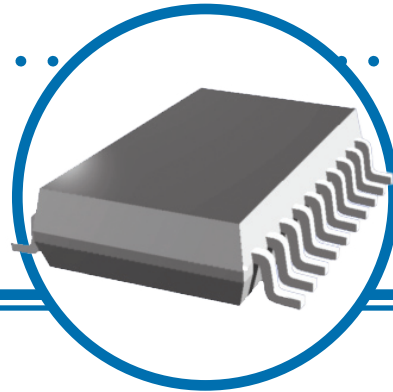


# 18 Channel Schottky Diode Termination Network

## QDN003 Series

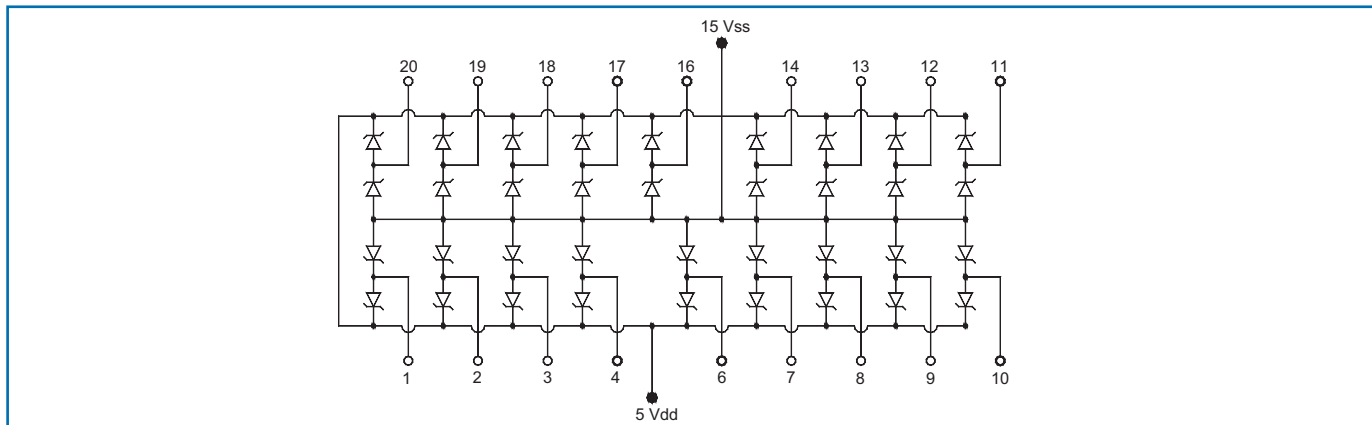
- RoHS compliant and Sn/Pb terminations available
- Reduces overshoot and undershoot for all data line types
- 15KV HBM ESD protection, 8KV ESD contact discharge protection
- Effective termination for both controlled/uncontrolled line terminations
- 36 Schottky diodes integrated in a QSOP package for fast turn-on/reverse recovery characteristics



## Electrical Data

Parameter	Min Value	Max Value
Operating Voltage ( $V_{DD} - V_{SS}$ )	-0.3V	7.0V
Diode Forward Voltage		
Forward current = 1mA	N/A	0.55V
Forward current = 12mA	N/A	1.0V
Channel Input Capacitance (@1MHz) (5.5pF typical)	N/A	12pF
Channel Leakage Current ( $T = 25^{\circ}\text{C}$ ) ( $0 \leq V_{IN} \leq V_{DD}$ )	N/A	0.1 $\mu\text{A}$
Channel Clamp Current	N/A	$\pm 50\text{mA}$
Package Power Rating	N/A	1.0W
Operating Temperature Range	0 $^{\circ}\text{C}$	+70 $^{\circ}\text{C}$
Storage Temperature Range	-65 $^{\circ}\text{C}$	+150 $^{\circ}\text{C}$

## Schematic Data



### General Note

IRC reserves the right to make changes in product specification without notice or liability. All information is subject to IRC's own data and is considered accurate at time of going to print.

© IRC Advanced Film Division • 4222 South Staples Street • Corpus Christi Texas 78411 USA  
Telephone: 361 992 7900 • Facsimile: 361 992 3377 • Website: www.irctt.com

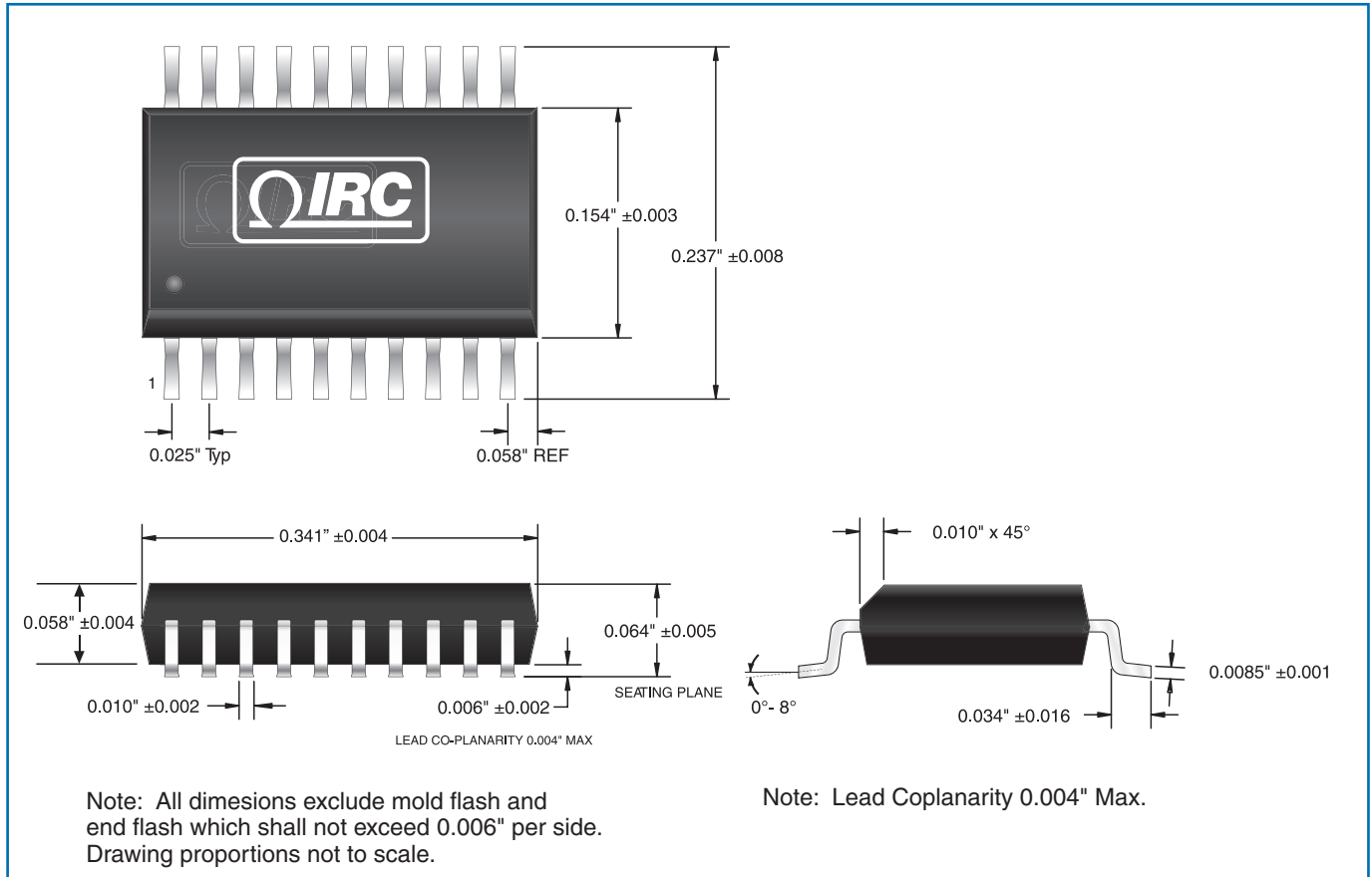


A subsidiary of  
TT electronics plc

QDN003 Series Issue January 2009 Sheet 1 of 2

# 18 Channel Schottky Diode Termination Network

## Physical Data



## Ordering Data

Prefix ..... **DNR** - **QDN003LF**

**Model** .....  
 QDN003LF = 20-pin, high speed, 18-line termination network with 100% matte tin, Pb-free terminations  
 QDN003 = 20-pin, high speed, 18-line termination network with Sn/Pb terminations

**Packaging**  
 Specify tubes or tape & reel.

For additional information or to discuss your specific requirements, please contact our Applications Team using the contact details below.