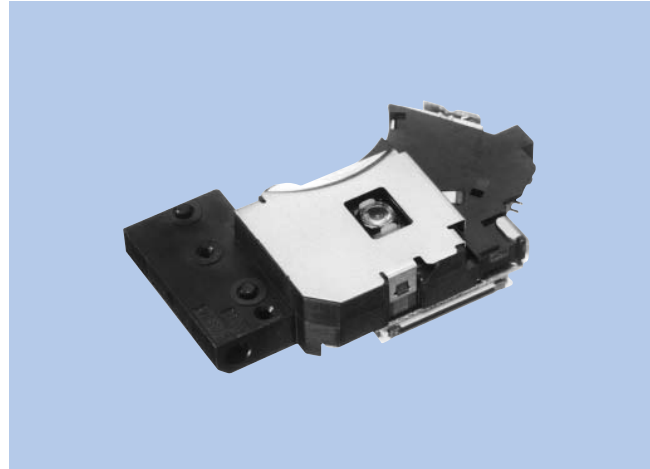


# Optical Pick-up PVR-802W

## FEATURES

DVD player optical pick-up equipped with 1 can 2-wavelength LD.



## FEATURES

1. This is a simple optical system with a 1 can 2-wavelength LD that at the same time provides high performance.
2. Although the design is simple, the high playability actuator ensures high precision.
3. The size of the pick-up makes it adaptable to a variety of drive configurations.
4. Tracking error signal detection: DVD: 1-beam method, CD: 3-beam method
5. Astigmatic method used for focus error signal detection.

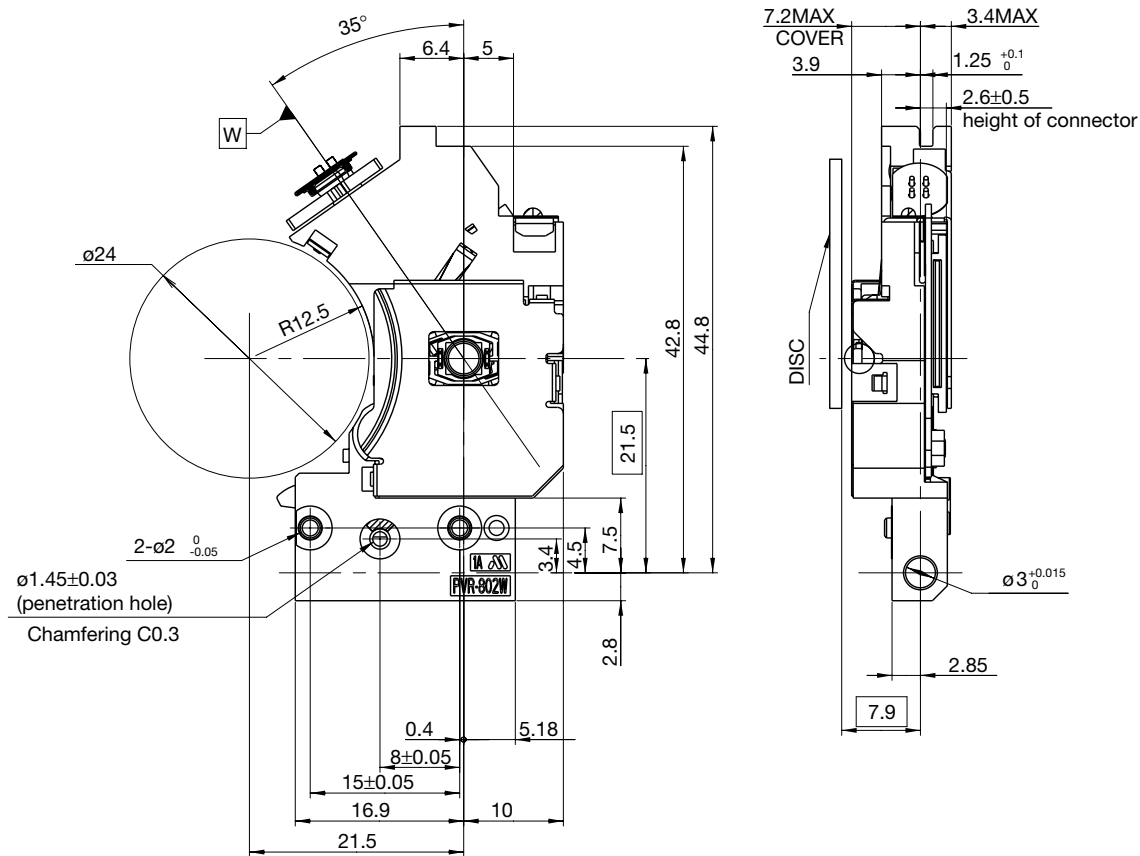
## USES

DVD Player drivers.

## SPECIFICATIONS

Tracking Sensitivity		0.57mm/V(at 5Hz)
Tracking Resonance Frequency		57Hz
Focusing Sensitivity		1.15mm/V(at 5Hz)
Focusing Resonance Frequency		55Hz
RF Signal	DVD	1.00V <sub>p-p</sub>
	CD	1.00V <sub>p-p</sub>
Tracking Error Signal	DVD	1.90V <sub>p-p</sub>
	CD	0.16V <sub>p-p</sub>
Focusing Error Signal	DVD	0.55V <sub>p-p</sub>
	CD	0.74V <sub>p-p</sub>
Dimensions		47.6(D)× 28.7(W)×10.0(H)mm
Weight		11.3g

**DIMENSIONS**



Unit : mm