



# Commercial CCR-59 Multi-Throw DC-26.5GHz Latching

The CCR-59 Switch is a broadband, multi-throw, electromechanical coaxial switch designed to switch a microwave signal from a common input to any of 3, 4, 5, or 6 outputs. The characteristic impedance is 50 Ohms. The switches are small using the popular connector spacing on a 1.062" dia. circle. Each position has an individual actuator mechanism allowing random position selection. This also minimizes switching time.

The CCR-59 comes with a latching actuator. The latching switch remains in the last position selected when the switch is de-energized. STD dual command requires a reset pulse before a new selected position. A separate reset circuit allows all positions to be set to an open position. User must provide both reset (clear) and set (select new position) commands.

## Specifications

<b>RF Contacts:</b>	Break before make					
<b>Actuator</b>	Voltage (VDC) 20°C	12	15	28		
	Latching Current (mA)	255	205	90		
<b>Switching Time:</b>	Reset Current (mA)	Positions	3	765	615	270
			4	1020	820	360
			5	1275	1025	450
			6	1530	1230	540

**Switching Time:** 20 msec max  
**Connectors:** SMA (f)  
**Weight:** 6 oz. max  
**Temperature Range:** -40°C to +65°C (Operating)

**Shock:** MIL-STD-202 Method 213, Condition D (500G Non Operating)

**Vibration:** MIL-STD-202 Method 214, Condition D (10G RMS Non Operating)

**Humidity:** Moisture Seal Available

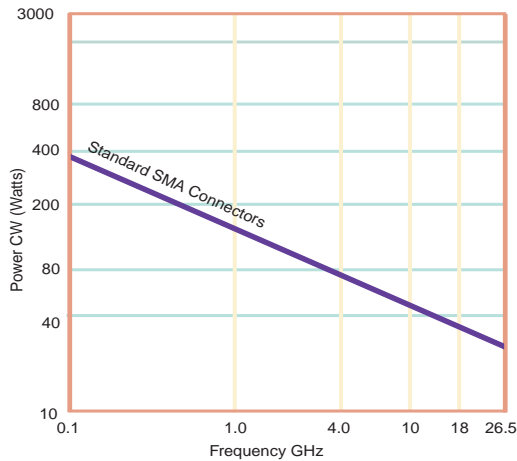
**Typical Contact Life:** 5 Million Cycles

**Insertion Loss Repeatability (1 Million Cycles):**

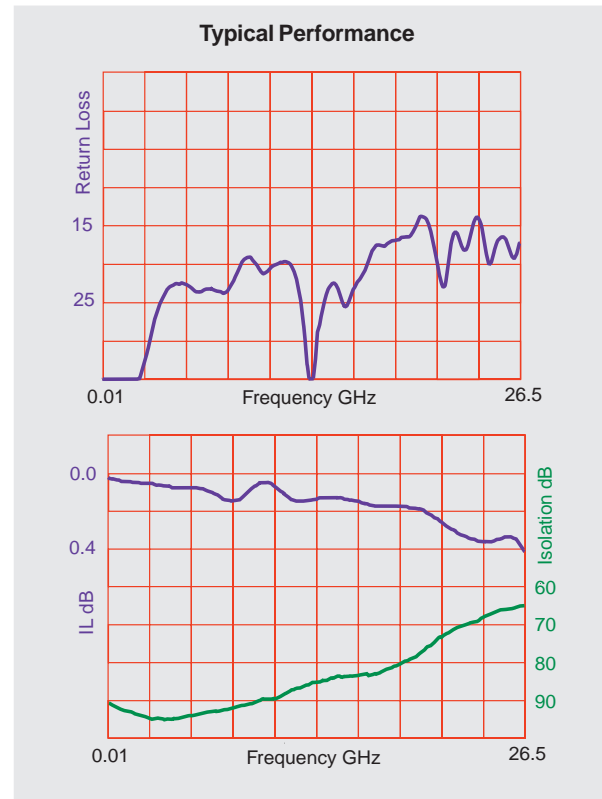
DC to 6 GHz: 0.05 dB

DC to 20 GHz: 0.1 dB

**RF Power Handling**



Specifications	DC-6 GHz	6-12 GHz	12-18 GHz	18-26.5 GHz
VSWR (max)	1.25:1	1.40:1	1.50:1	1.80:1
Insertion Loss (min)	0.20 dB	0.40 dB	0.50 dB	0.80 dB
Isolation (max)	70.0 dB	60.0 dB	60.0 dB	50.0 dB



Specifications subject to change without notice.

www.teledynecoax.com  
 email: coax@teledyne.com

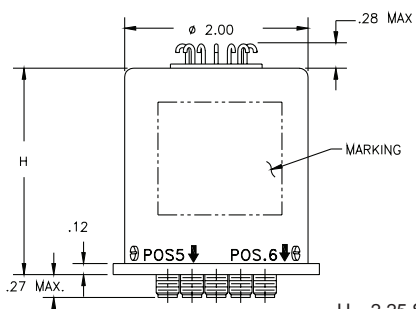
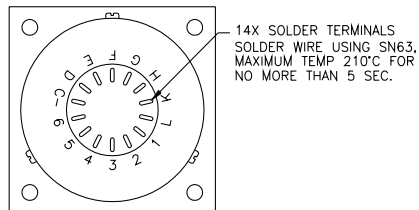
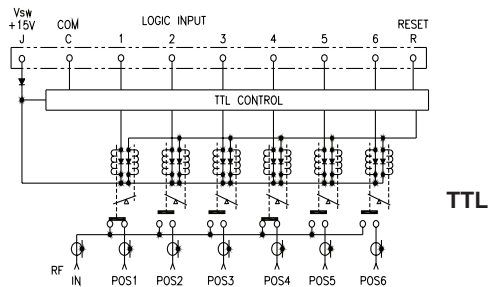
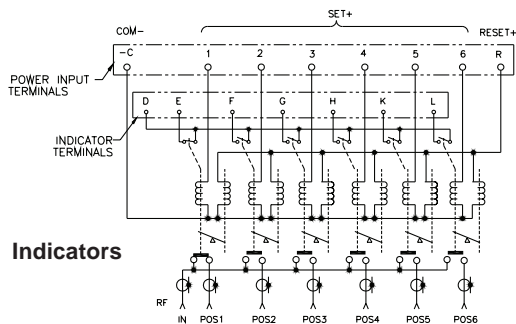
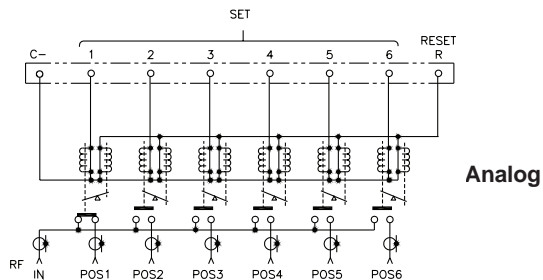
Tel: (800) 351-7368

10/2007

# Commercial CCR-59

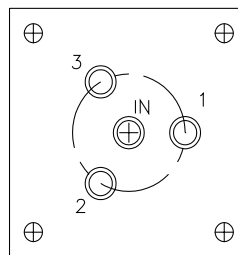
## Multi-Throw DC-26.5GHz

### Latching

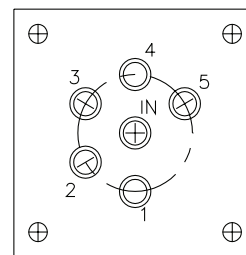


H = 2.25 STD Model  
H = 2.50 TTL Model

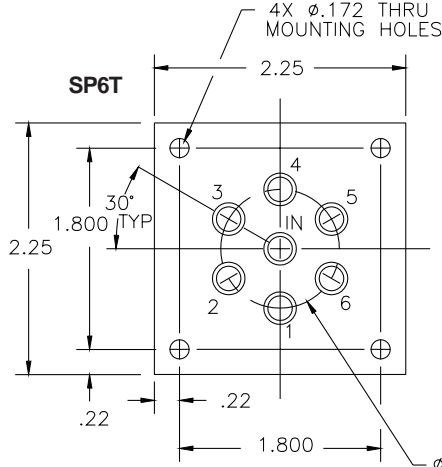
SP3T



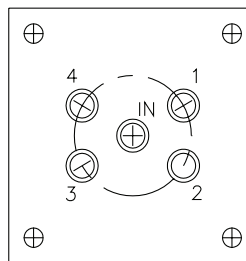
SP5T



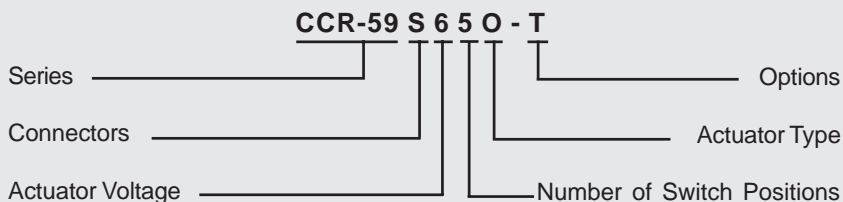
SP6T



SP4T



### Part Numbering System for CCR-59 (Latching)



#### Connector

S: SMA Female

#### Actuator Voltage

6: 28Vdc Latching

7: 15Vdc Latching

8: 12Vdc Latching

#### Number of Positions

3: SP3T

4: SP4T

5: SP5T

6: SP6T

#### Actuator Type

O: No Indicator Contacts

C: Indicator Contacts

D: Self Cutoff Only

E: Indicators and Self

Cutoff

#### Options

T: TTL Drivers with Diodes

R: Positive + Common

TD: TTL Driver with Decoder

For other options contact Factory



Specifications subject to change without notice.

www.teledynecoax.com  
email: coax@teledyne.com

Tel: (800) 351-7368

10/2007