



# Commercial CCR-58

## Multi-Throw DC-26.5GHz

### Normally Open

The CCR-58 Switch is a broadband, multi-throw, electromechanical coaxial switch designed to switch a microwave signal from a common input to any of 3, 4, 5, or 6 outputs. The characteristic impedance is 50 Ohms. The switches are small using the popular connector spacing on a 1.062" dia. circle. Each position has an individual actuator mechanism allowing random position selection. This also gives the minimum switching time.

#### Specifications

**RF Contacts:** Break before make

<b>Actuator</b>	Voltage (VDC) 20°C	12	15	28
	Current (mA)	170	136	140

**Switching Time:** 15 msec max

**Connectors:** SMA (f)

**Weight:** 6 oz. max

**Temperature Range:** -40°C to +65°C (Operating)

**Shock:** MIL-STD-202 Method 213, Condition D (500G Non Operating)

**Vibration:** MIL-STD-202 Method 214, Condition D (10G RMS Non Operating)

**Humidity:** Moisture Seal Available

**Typical Contact Life:** 5 Million Cycles

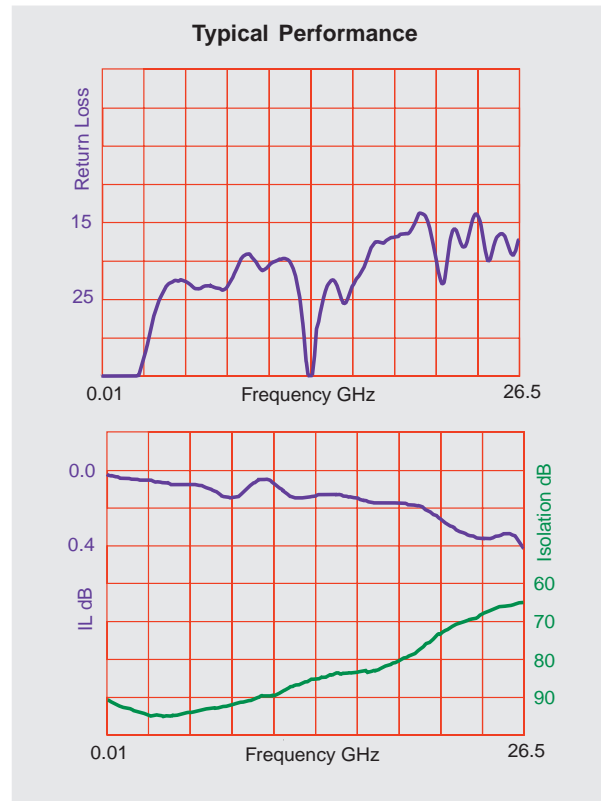
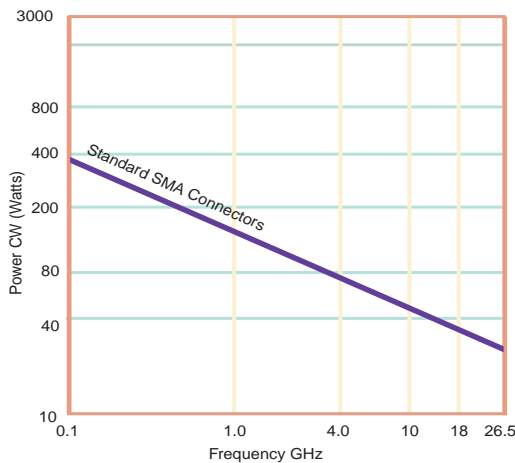
#### RF Power Handling

With the normally open actuator, all paths are open when the switch is de-energized.

#### Insertion Loss Repeatability (1 Million Cycles):

DC to 6 GHz: 0.05 dB

DC to 20 GHz: 0.1 dB



Specifications	DC-6 GHz	6-12 GHz	12-18 GHz	18-26.5 GHz
VSWR (max)	1.25:1	1.40:1	1.50:1	1.80:1
Insertion Loss (min)	0.20 dB	0.40 dB	0.50 dB	0.80 dB
Isolation (max)	70.0 dB	60.0 dB	60.0 dB	50.0 dB



Specifications subject to change without notice.

www.teledynecoax.com  
email: coax@teledyne.com

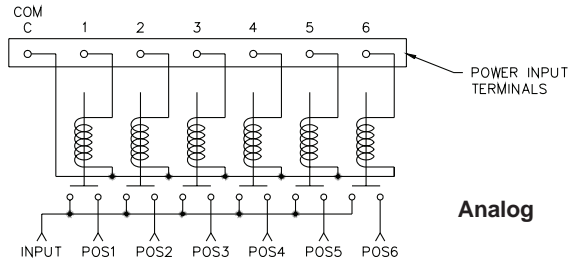
Tel: (800) 351-7368

10/2007

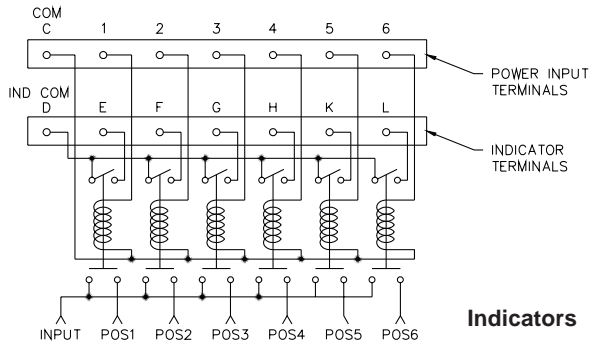
# Commercial CCR-58

## Multi-Throw DC-26.5GHz

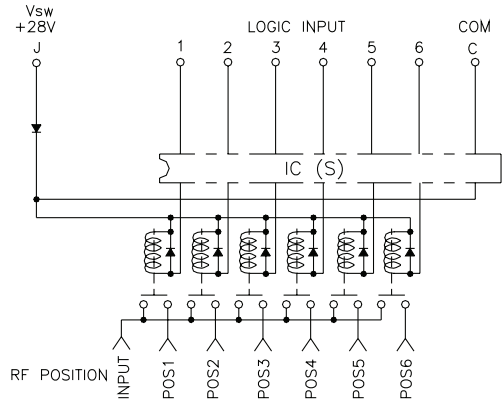
### Normally Open



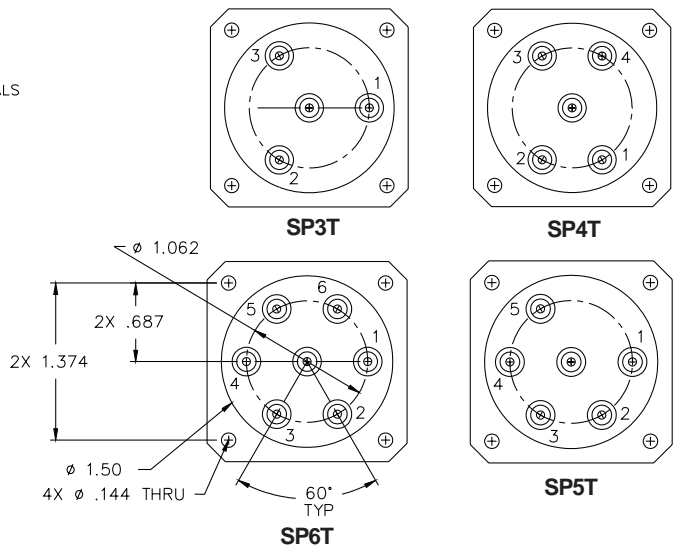
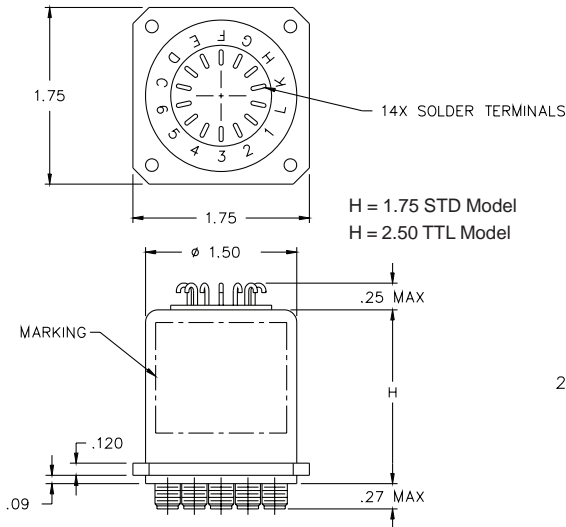
Analog



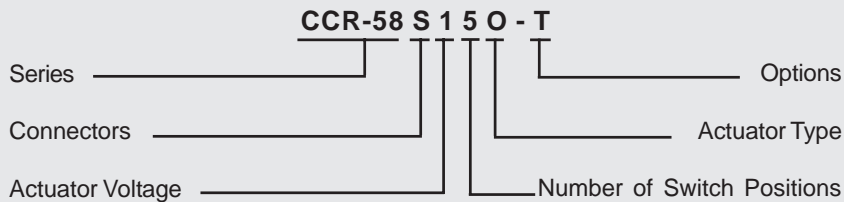
Indicators



TTL



### Part Numbering System for CCR-58 (Normally Open)



Connector	Actuator Voltage	Number of Positions	Actuator Type	Options
S: SMA Female #	1: 28Vdc Normally Open # 2: 15Vdc Normally Open # 3: 12Vdc Normally Open #	3: SP3T # 4: SP4T # 5: SP5T # 6: SP6T #	O: No Indicator Contacts # C: Indicator Contacts #	T: TTL Drivers with Diodes R: Positive + Common TD: TTL Driver with Decoder

For other options contact Factory

#: Stock item subject to prior sale



Specifications subject to change without notice.

www.teledynecoax.com  
email: coax@teledyne.com

Tel: (800) 351-7368

10/2007