



# Commercial CCR-39 Multi-Throw DC-18GHz Latching

The CCR-39 Switch is a broadband, multi-throw, electromechanical coaxial switch designed to switch a microwave signal from a common input to any of 3, 4, 5, or 6 outputs. The characteristic impedance is 50 Ohms. The switches are small using the popular connector spacing on a 1.062" dia. circle. Each position has an individual actuator mechanism allowing random position selection. This also minimizes switching time.

## Specifications

<b>RF Contacts:</b>	Break before make					
<b>Actuator</b>	Voltage (VDC) 20°C	12	15	28		
	Latching Current (mA)	255	205	90		
	Reset Current (mA)	Positions				
			3	765	615	270
			4	1020	820	360
			5	1275	1025	450
			6	1530	1230	540
<b>Switching Time:</b>	20 msec max					
<b>Connectors:</b>	SMA (f)					
<b>Weight:</b>	6 oz. max					
<b>Temperature Range:</b>	-40°C to +65°C (Operating)					

The CCR-39 comes with a latching actuator. The latching switch remains in the last position selected when the switch is de-energized. STD dual command requires a reset pulse before a new selected position. A separate reset circuit allows all positions to be set to an open position. User must provide both reset (clear) and set (select new position) commands.

**Shock:** MIL-STD-202 Method 213, Condition D (500G Non Operating)

**Vibration:** MIL-STD-202 Method 214, Condition D (10G RMS Non Operating)

**Humidity:** Moisture Seal Available

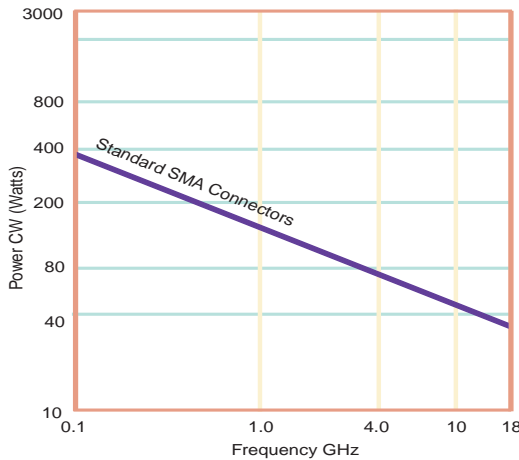
**Typical Contact Life:** 5 Million Cycles

**Insertion Loss Repeatability (1 Million Cycles):**

DC to 6 GHz: 0.05 dB

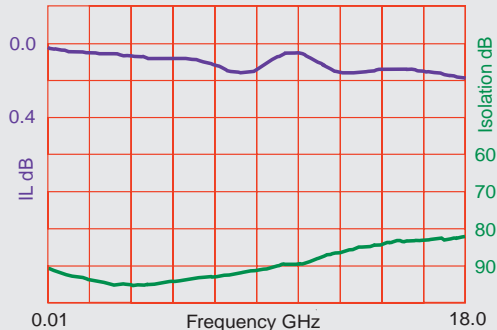
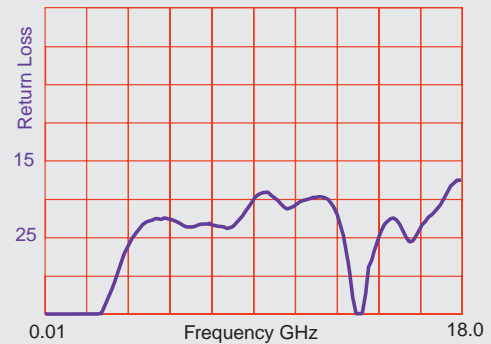
DC to 20 GHz: 0.1 dB

**RF Power Handling**



Specifications	DC-6 GHz	6-12 GHz	12-18 GHz
VSWR (max)	1.25:1	1.40:1	1.50:1
Insertion Loss (min)	0.20 dB	0.40 dB	0.50 dB
Isolation (max)	70.0 dB	60.0 dB	60.0 dB

## Typical Performance



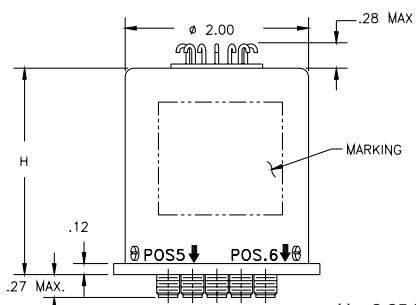
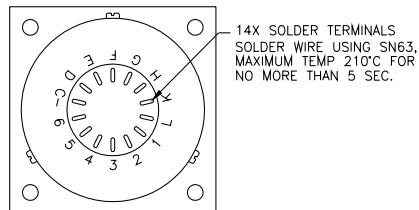
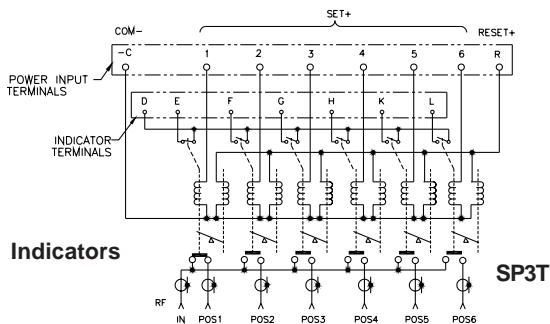
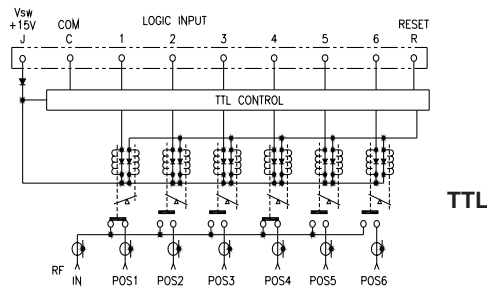
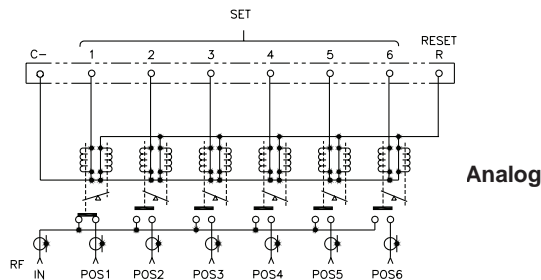
Specifications subject to change without notice.

www.teledynecoax.com  
email: coax@teledyne.com

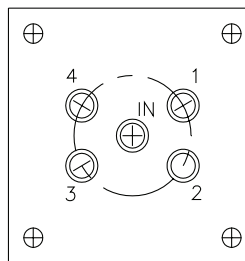
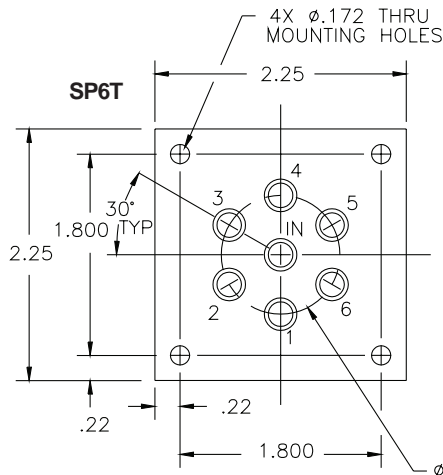
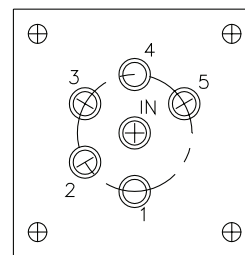
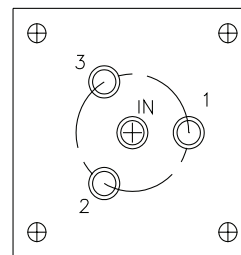
Tel: (800) 351-7368

10/2007

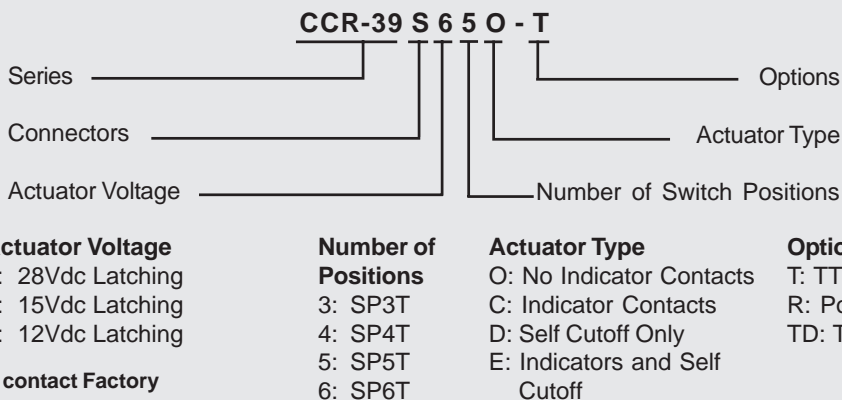
# Commercial CCR-39 Multi-Throw DC-18GHz Latching



H = 2.25 STD Model  
H = 2.50 TTL Model



## Part Numbering System for CCR-39 (Latching)



Connector	Actuator Voltage	Number of Positions	Actuator Type	Options
S: SMA Female	6: 28Vdc Latching 7: 15Vdc Latching 8: 12Vdc Latching	3: SP3T 4: SP4T 5: SP5T 6: SP6T	O: No Indicator Contacts C: Indicator Contacts D: Self Cutoff Only E: Indicators and Self Cutoff	T: TTL Drivers with Diodes R: Positive + Common TD: TTL Driver with Decoder

For other options contact Factory



Specifications subject to change without notice.

www.teledynecoax.com  
email: coax@teledyne.com

Tel: (800) 351-7368  
10/2007