



Commercial CCR-38

Multi-Throw DC-18GHz

Normally Open

The CCR-38 Switch is a broadband, multi-throw, electromechanical coaxial switch designed to switch a microwave signal from a common input to any of 3, 4, 5, or 6 outputs. The characteristic impedance is 50 Ohms. The switches are small using the popular connector spacing on a 1.062" dia. circle. Each position has an individual actuator mechanism allowing random position selection. This also gives the minimum switching time.

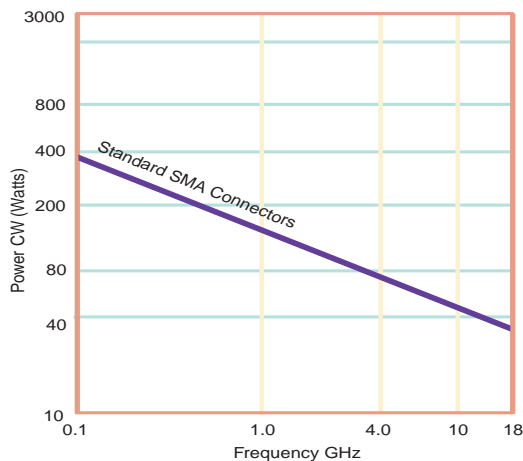
Specifications

RF Contacts:	Break before make			
Actuator	Voltage (VDC) 20°C	12	15	28
	Current (mA)	170	136	140
Switching Time:	15 msec max			
Connectors:	SMA (f)			
Weight:	6 oz. max			
Temperature Range:	-40°C to +65°C (Operating)			
Shock:	MIL-STD-202 Method 213, Condition D (500G Non Operating)			
Vibration:	MIL-STD-202 Method 214, Condition D (10G RMS Non Operating)			
Humidity:	Moisture Seal Available			
Typical Contact Life:	5 Million Cycles			
RF Power Handling				

With the normally open actuator, all paths are open when the switch is de-energized.

Insertion Loss Repeatability (1 Million Cycles):

DC to 6 GHz: 0.05 dB
DC to 20 GHz: 0.1 dB



Specifications

	DC-6 GHz	6-12 GHz	12-18 GHz
VSWR (max)	1.25:1	1.40:1	1.50:1
Insertion Loss (min)	0.20 dB	0.40 dB	0.50 dB
Isolation (max)	70.0 dB	60.0 dB	60.0 dB



Specifications subject to change without notice.

www.teledynecoax.com
email: coax@teledyne.com

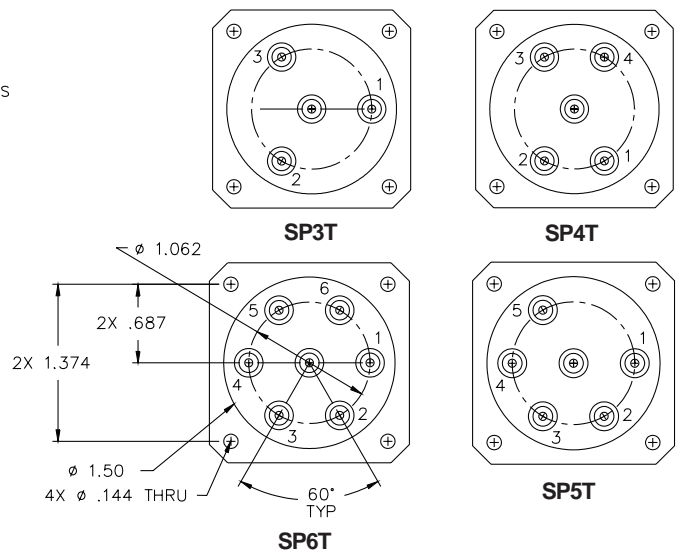
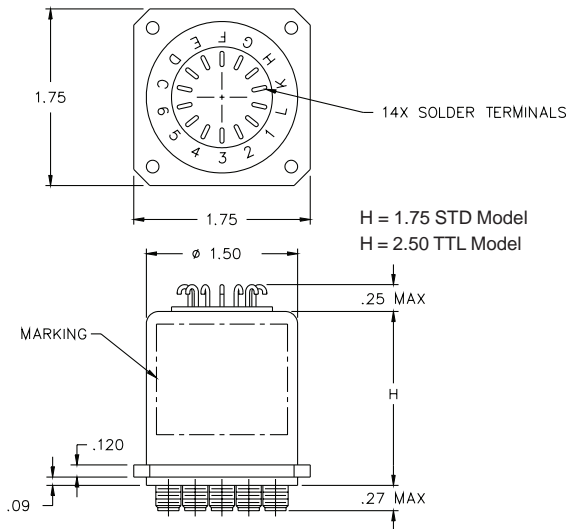
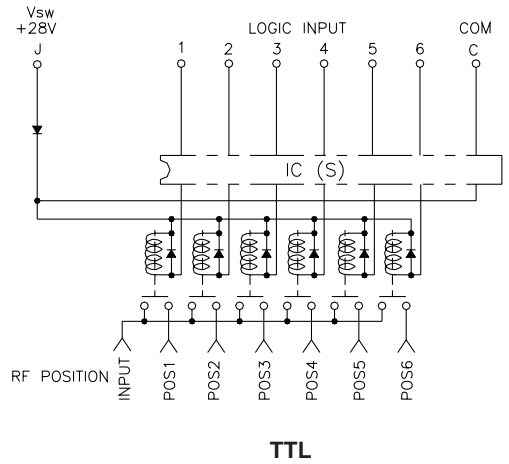
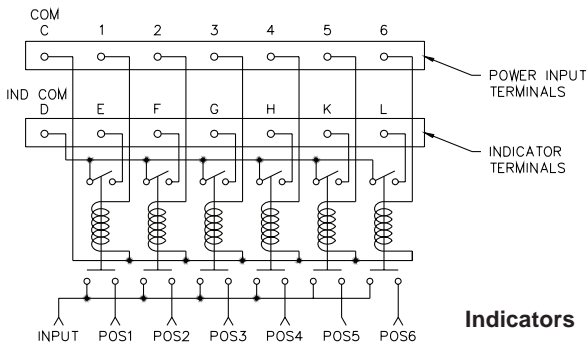
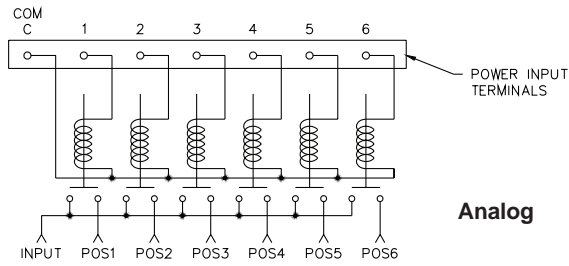
Tel: (800) 351-7368

10/2007

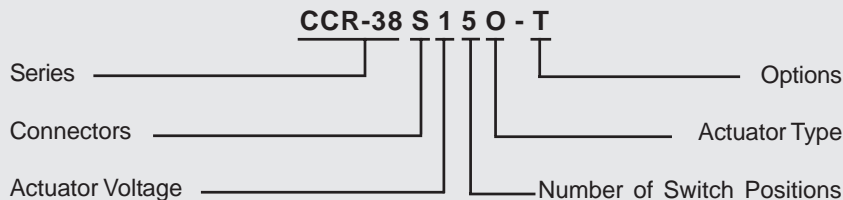
Commercial CCR-38

Multi-Throw DC-18GHz

Normally Open



Part Numbering System for CCR-38 (Normally Open)



Connector	Actuator Voltage	Number of Positions	Actuator Type	Options
S: SMA Female #	1: 28Vdc Normally Open #	3: SP3T #	O: No Indicator Contacts #	T: TTL Drivers with Diodes
	2: 15Vdc Normally Open #	4: SP4T #	C: Indicator Contacts #	R: Positive + Common
	3: 12Vdc Normally Open #	5: SP5T #		TD: TTL Driver with Decoder
		6: SP6T #		

For other options contact Factory

#: Stock item subject to prior sale



Specifications subject to change without notice.

www.teledynecoax.com
email: coax@teledyne.com

Tel: (800) 351-7368

10/2007