



Commercial CCRT-53

Internal Terminations

DC-26.5GHz SPDT Switch

Failsafe

The CCRT-53 Switch is an internally terminated, broadband, SPDT, electromechanical coaxial switch designed to switch a microwave signal from a common input to either of two outputs. The characteristic impedance is 50 Ohms. Internal terminations provide an impedance match for the unselected port. The switches are small with the minimum spacing that is compatible with SMA connectors.

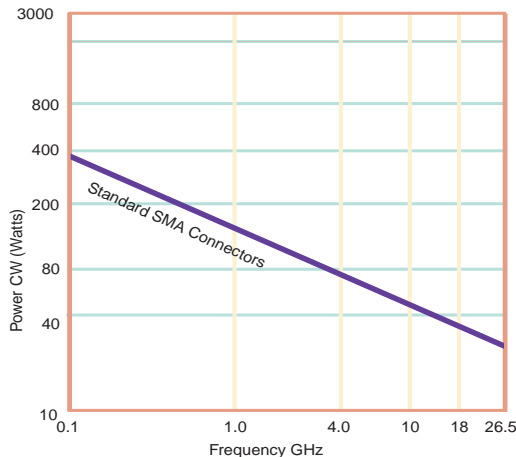
Specifications

- RF Contacts:** Break before make
- Actuator**
- | | | | |
|--------------------|-----|-----|-----|
| Voltage (VDC) 20°C | 12 | 15 | 28 |
| Current (mA) | 420 | 350 | 200 |
- Switching Time:** 20 msec max
- Terminations:** 50 Ohm 2 Watts CW max
- Connectors:** SMA (f)
- Weight:** 2.65 oz. max
- Temperature Range:** -40°C to +65°C (Operating)
- Shock:** MIL-STD-202 Method 213, Condition D (500G Non Operating)
- Vibration:** MIL-STD-202 Method 214, Condition D (10G RMS Non Operating)
- Humidity:** Moisture Seal Available
- Typical Contact Life:** 5 Million Cycles

Insertion Loss Repeatability (1 Million Cycles):

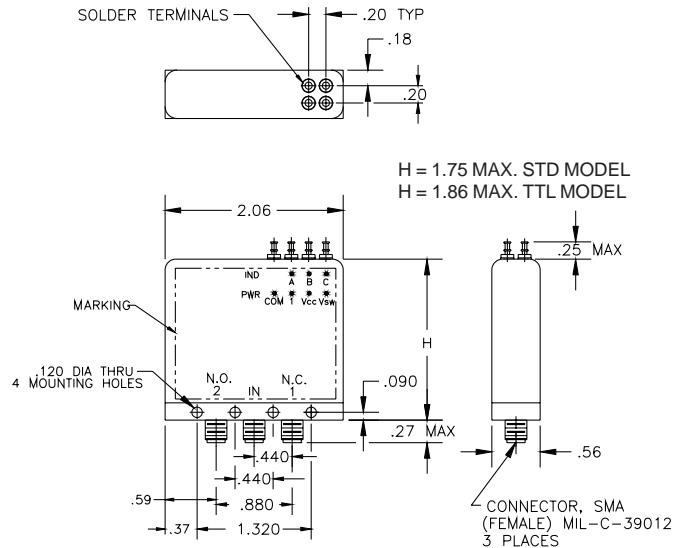
- DC to 6 GHz: 0.05 dB
- DC to 20 GHz: 0.1 dB

RF Power Handling (Non-terminated)

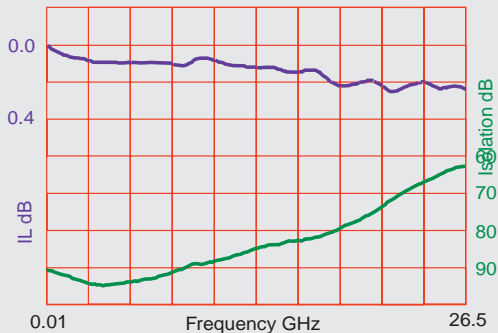
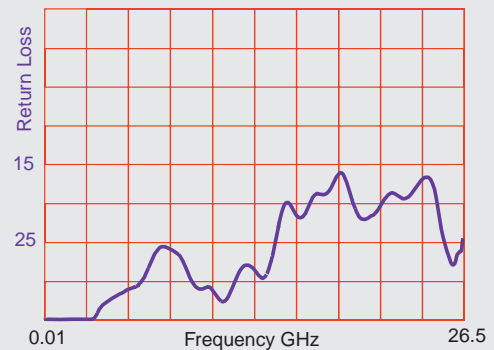


Specifications	DC-6 GHz	6-12 GHz	12-18 GHz	18-26.5GHz
VSWR (max)	1.25:1	1.40:1	1.50:1	1.80:1
Insertion Loss (min)	0.20 dB	0.40 dB	0.50 dB	0.70 dB
Isolation (max)	70.0 dB	60.0 dB	60.0 dB	50.0 dB

The CCRT-53 is available with either a failsafe or latching actuator.



Typical Performance



Specifications subject to change without notice.

www.teledynecoax.com
email: coax@teledyne.com

Tel: (800) 351-7368

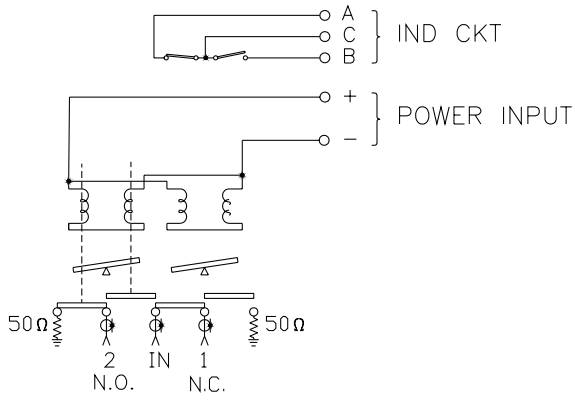
10/2007

Commercial CCRT-53

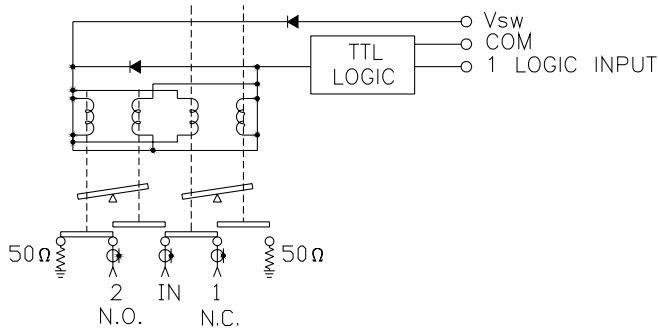
Internal Terminations

DC-26.5GHz SPDT Switch

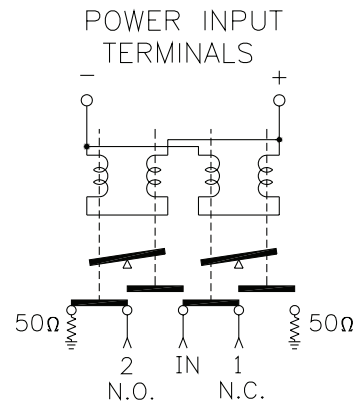
Failsafe



Indicators

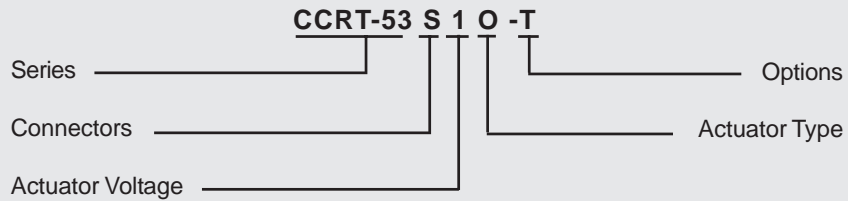


TTL



Analog

Part Numbering System for CCRT-53 (Failsafe)



Connector
S: SMA Female

Actuator Voltage
1: 28Vdc Failsafe
2: 15Vdc Failsafe
3: 12Vdc Failsafe

Actuator Type
O: No Indicator Contacts
C: Indicator Contacts

Options
T: TTL Drivers with Diodes
R: Positive + Common

For other options contact Factory



Specifications subject to change without notice.

www.teledynecoax.com
email: coax@teledyne.com

Tel: (800) 351-7368
10/2007