

New!

5% Precision CC/CV Primary-side Offline PWM Power Switch

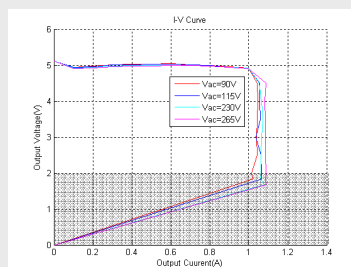
Description:

OB2535/OB2536/OB2

538 series is a high performance offline PWM Power switch for low power AC/DC charger and adapter applications. It can achieve 5% precision constant voltage (CV) and constant current (CC). It operates in primary-side sensing and regulation. Consequently, opto-coupler and TL431 could be eliminated.

Applications:

- CC/CV Battery Charger
 - Cell/Cordless Phone Charger
 - Digital Camera Charger
 - PDA Charger
- Small Power Adapter
- Auxiliary Power for PC, TV etc.
- Linear Regulator/RCC Replacement

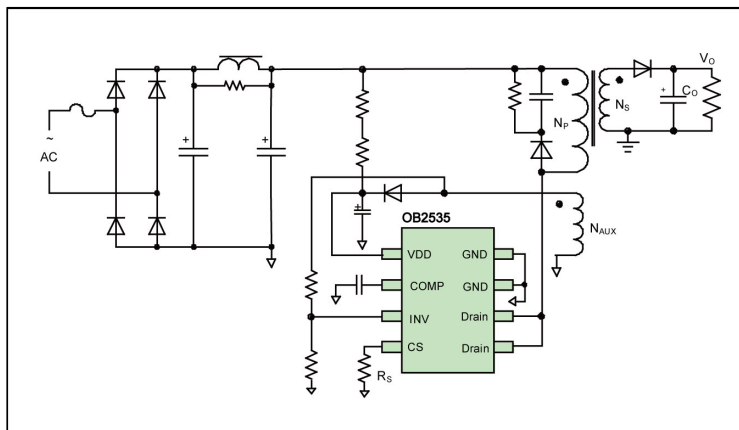


OB2535 I-V Curve

Features:

- 5% constant voltage regulation, 5% constant current regulation at universal AC input
- Primary-side sensing and regulation without TL431 and opto-coupler
- Programmable CV and CC regulation
- Adjustable constant current and output power setting
- Built-in primary winding inductance compensation
- Programmable cable drop compensation
- Power on soft-start
- Built-in leading edge blanking (LEB)
- Cycle-by-Cycle current limiting
- VDD under voltage lockout with hysteresis (UVLO)
- VDD OVP
- VDD clamp
- Available in SOP8 packages, RoHS compliant

Typical Application:



Device	MOSFET Rdson(ohm)	Package	Max Pout(W) ^{note}
OB2535	12	SOP8	10
OB2536	10	DIP8	16
OB2538	4.4	DIP8	20

Note: Maximum practical continuous power in an open frame design with sufficient drain pattern as a heat sink, at 50°C ambient, 230Vac input.