

Frequency Doubler

FD25/FD25C/FD25E/SFD25

V4

Features

- Input 5 to 2400 MHz
- Output 10 to 4800 MHz
- Input Drive level +10 dBm (nominal)
- Hermetically-Sealed Package

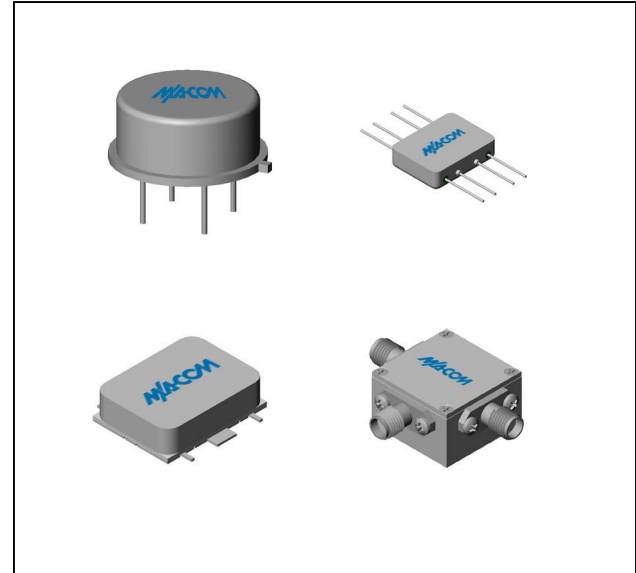
Description

The FD25 is a passive bridge diode frequency doubler, designed for use in the high volume commercial and test equipment applications. The design utilizes Schottky bridge quad diodes and broadband baluns to attain excellent performance. The use of high temperature solder and welded assembly processes used internally makes it ideal for use in semi-automated and automated assembly. Environmental screening available to MIL-STD-883, MIL-STD-202, or MIL-DTL-28837, consult factory.

Ordering Information

Part Number	Package
FD25	TO-8
FD25C	SMA Connectorized
FD25E	Flatpack
SFD25	Surface Mount

Product Image



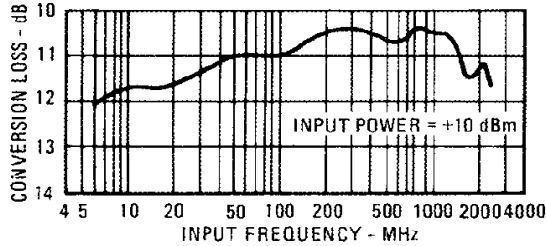
Electrical Specifications: $Z_0 = 50\Omega$ $P_{in} = +10$ dBm

Parameter	Test Conditions	Units	Typical	Guaranteed	
				+25°C	-54° to +85°C*
SSB Conversion Loss (max)	$f_{in} = 5$ to 30 MHz $f_{in} = 30$ to 2400 MHz	dB	12.0 11.5	13.0 13.0	15.0 13.5
Fundamental Suppression (min)	$f_{in} = 5$ to 1000 MHz $f_{in} = 1000$ to 2000 MHz $f_{in} = 2000$ to 2400 MHz	dBc	35 25 20	25 20 16	23 18 14
Third Harmonic Suppression	$f_{in} = 5$ to 500 MHz $f_{in} = 500$ to 1000 MHz $f_{in} = 1000$ to 2400 MHz	dBc	50 40 35	40 30 25	38 28 23
Input VSWR	$f_{in} = 5$ to 2400 MHz		1.5:1		

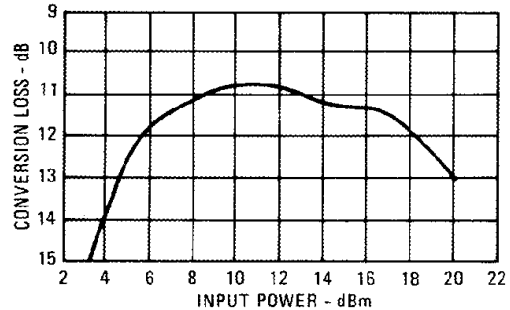
* The FD25C specification limits apply at 0°C to +50°C.

Typical Performance Curves

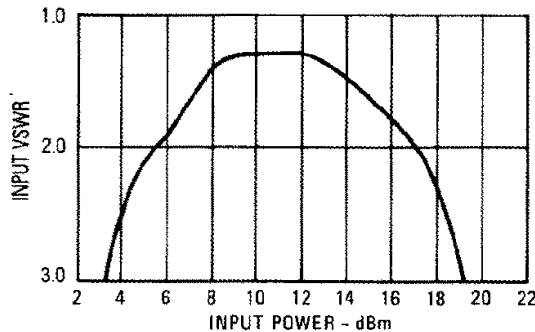
Conversion Loss vs. Frequency



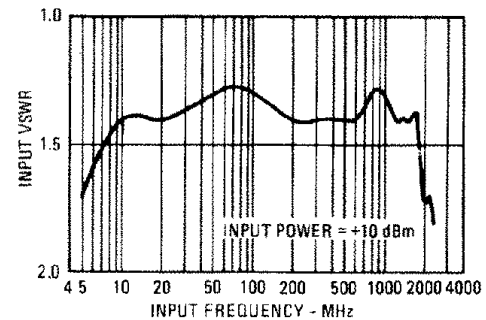
Conversion Loss vs. Input Power



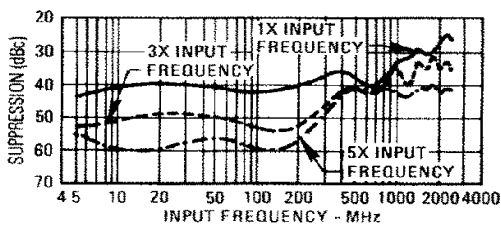
Input VSWR vs. Input Power



Input VSWR vs. Input Frequency



Suppression vs. Input Frequency



Frequency Doubler

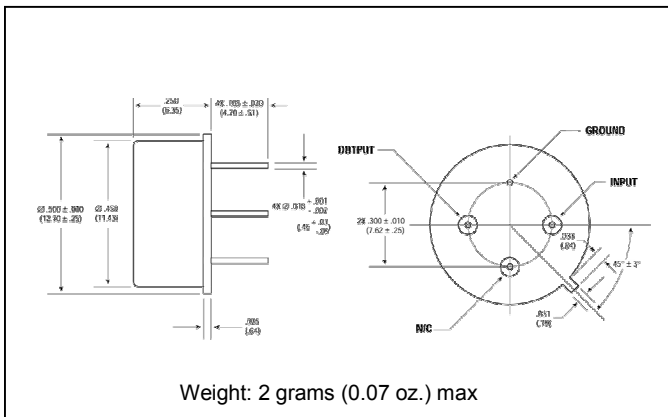
FD25/FD25C/FD25E/SFD25

V4

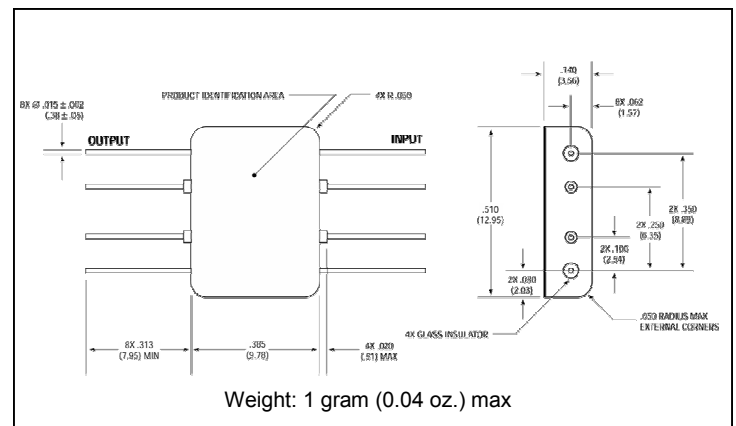
Absolute Maximum Ratings

Parameter	Absolute Maximum
Operating Temperature	-54°C to +100°C
Storage Temperature	-65°C to +100°C
Peak Input Power	+23 dBm max @ +25°C +20 dBm max @ +100°C
Peak Input Current	50 mA DC

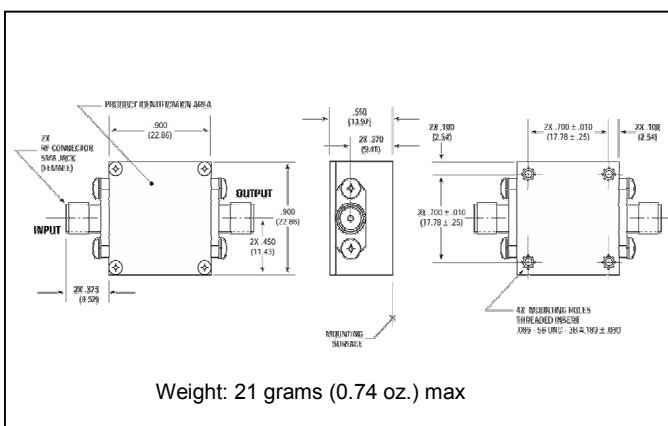
Outline Drawing: TO-8 *



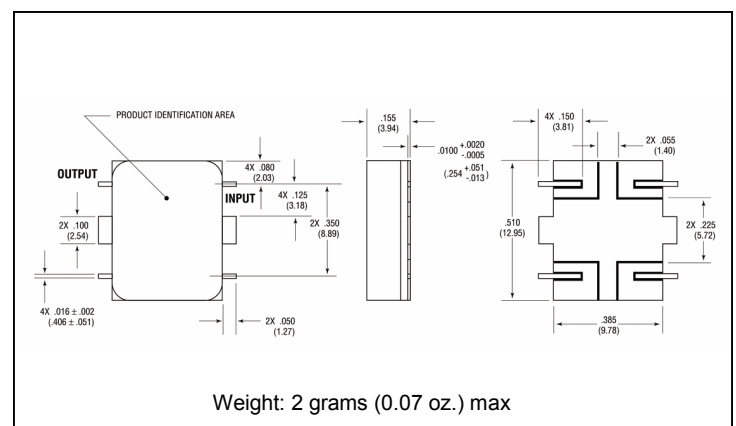
Outline Drawing: Flatpack *



Outline Drawing: SMA Connectorized *



Outline Drawing: Surface Mount *



* Dimensions are inches (millimeters) ±0.015 (0.38) unless otherwise specified.