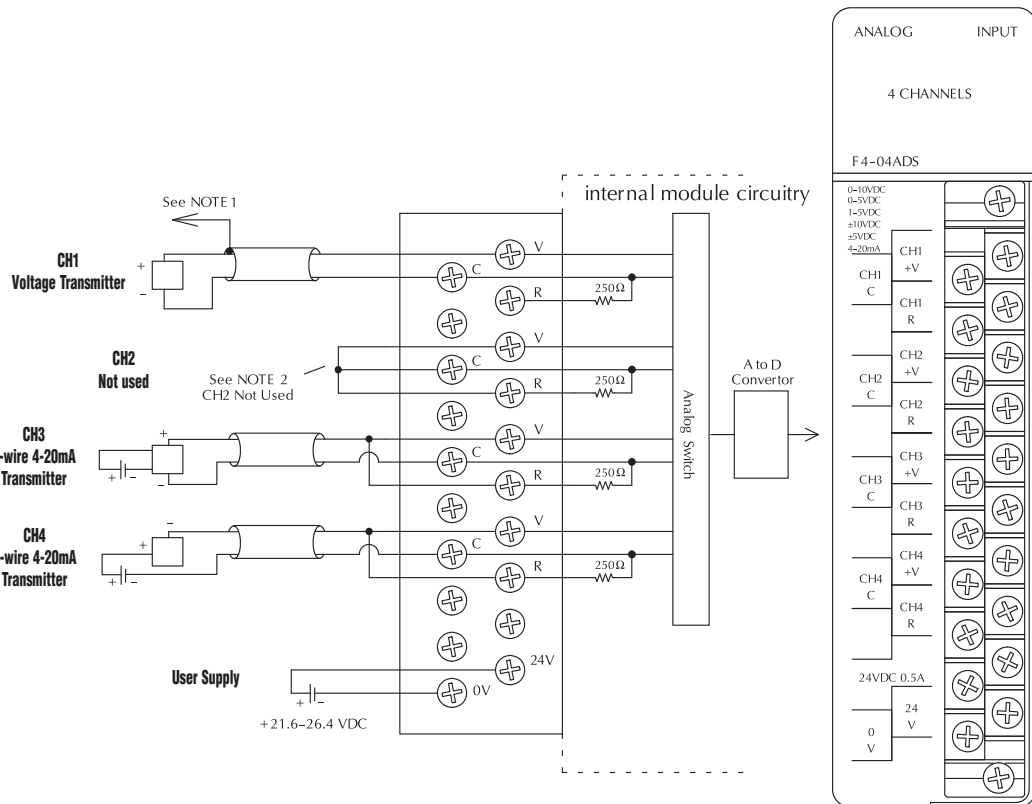


Analog Input Modules

F4-04ADS 4-Channel Isolated Analog Input <--->	
Number of Channels	4
Input Ranges	0-5V, 0-10V, 1-5V, ±5V, ±10V 0-20mA, 4-20mA
Channels Individually Configurable	Yes
Resolution	12 bit (1 to 4,096)
Conversion Method	Successive Approximation
Input Type	Differential
Max. Common Mode Voltage	± 750V peak continuous transformer isolation
Noise Rejection Ratio	Common mode: -100dB @ 60Hz
Active Low-pass Filtering	-3dB at 20Hz, -12 dB per octave
Input Impedance	250Ω ± 0.1%, 1/2W current input 200KΩ voltage point
Absolute Maximum Ratings	-45mA to + 45mA, current input ± 100V voltage input
Conversion Time	1ms per selected channel
Linearity Error:	<i>unipolar</i> ± 1 count (0.025% of full scale) max. <i>bipolar</i> ± 2 counts (0.025% of full scale) max.
Full Scale Calibration Error	± 8 counts maximum ($V_{in} = 20mA$)
Offset Calibration Error	± 8 counts maximum ($V_{in} = 4mA$)

PLC Update Rate	1 channel per scan
Digital Input Points Required	16 (X) input points (12 binary data bits, 4 active channel indicator bits)
Accuracy vs Temperature	± 100 ppm/°C maximum full scale (including maximum offset)
Terminal Type (included)	Removable (D4-16IOCON)
Base Power Required 5V	270mA
External Power Supply	24VDC, ± 10%, 120mA, class 2
Recommended Fuse	0.032 A, Series 217 fast-acting, current inputs
Operating Temperature	32° to 140°F (0 to 60°C)
Accuracy vs. Temperature	±100 ppm /°C maximum full scale (including maximum offset)
Storage Temperature	-4 to 158°F (-20 to 70°C)
Relative Humidity	5 to 95% (non-condensing)
Environmental Air	No corrosive gases permitted
Vibration	MIL STD 810C 514.2
Shock	MIL STD 810C 516.2
Noise Immunity	NEMA ICS3-304

One count in the specification table is equal to one least significant bit of the analog data value (1 in 4,096).
NOTE 1: Shields should be grounded at signal source
NOTE 2: Unused channels should have V & C & R of the channels jumpered



- PLC Overview
- DL05/06 PLC
- DL105 PLC
- DL205 PLC
- DL305 PLC
- DL405 PLC**
- Field I/O
- Software
- C-more HMIs
- Other HMI
- AC Drives
- Motors
- Steppers/Servos
- Motor Controls
- Proximity Sensors
- Photo Sensors
- Limit Switches
- Encoders
- Current Sensors
- Pushbuttons/Lights
- Process
- Relays/Timers
- Comm.
- TB's & Wiring
- Power
- Circuit Protection
- Enclosures
- Appendix
- Part Index