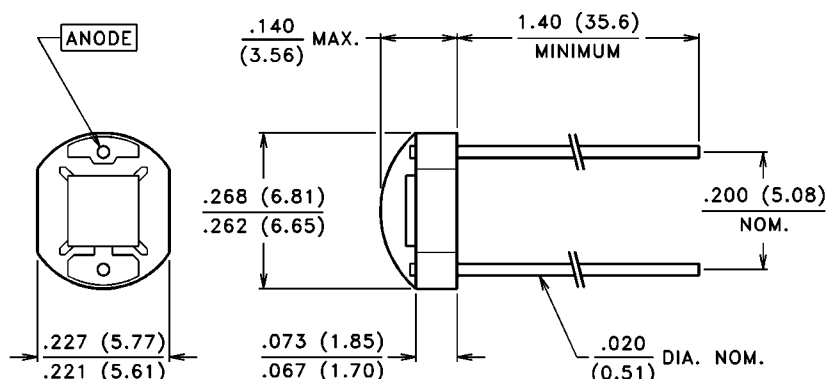


## PACKAGE DIMENSIONS inch (mm)



CASE 11 CERAMIC  
CHIP ACTIVE AREA: .008 in<sup>2</sup> (5.16 mm<sup>2</sup>)

## PRODUCT DESCRIPTION

Planar silicon photodiode mounted on a two lead ceramic substrate and coated with a thick layer of clear epoxy. These diodes have very high shunt resistance and have good blue response.

## ABSOLUTE MAXIMUM RATINGS

Storage Temperature: -20°C to 75°C  
Operating Temperature: -20°C to 75°C

## ELECTRO-OPTICAL CHARACTERISTICS @ 25°C (See also VTB curves, pages 21-22)

SYMBOL	CHARACTERISTIC	TEST CONDITIONS	VTB8341			UNITS
			Min.	Typ.	Max.	
I <sub>SC</sub>	Short Circuit Current	H = 100 fc, 2850 K	35	60		μA
TC I <sub>SC</sub>	I <sub>SC</sub> Temperature Coefficient	2850 K		.12	.23	%/°C
V <sub>OC</sub>	Open Circuit Voltage	H = 100 fc, 2850 K		490		mV
TC V <sub>OC</sub>	V <sub>OC</sub> Temperature Coefficient	2850 K		-2.0		mV/°C
I <sub>D</sub>	Dark Current	H = 0, VR = 2.0 V			100	pA
R <sub>SH</sub>	Shunt Resistance	H = 0, V = 10 mV		1.4		GΩ
TC R <sub>SH</sub>	R <sub>SH</sub> Temperature Coefficient	H = 0, V = 10 mV		-8.0		%/°C
C <sub>J</sub>	Junction Capacitance	H = 0, V = 0		1.0		nF
S <sub>R</sub>	Sensitivity	365 nm		.10		A/W
λ <sub>range</sub>	Spectral Application Range		320		1100	nm
λ <sub>p</sub>	Spectral Response - Peak			920		nm
V <sub>BR</sub>	Breakdown Voltage		2	40		V
θ <sub>1/2</sub>	Angular Resp. - 50% Resp. Pt.			±60		Degrees
NEP	Noise Equivalent Power			2.4 x 10 <sup>-14</sup> (Typ.)		W/√Hz
D*	Specific Detectivity			9.7 x 10 <sup>12</sup> (Typ.)		cm√Hz / W