

# SMD Inductors(Coils) For Power Line(Wound, Magnetic Shielded)

Conformity to RoHS Directive

## VLCF Series VLCF5020-3

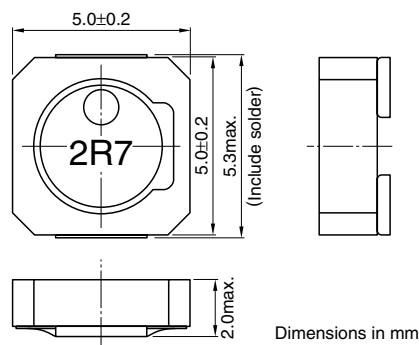
### FEATURES

- Miniature size  
Mount area: 5×5mm  
Height: 2.0mm max.
- Generic use for portable DC to DC converter line
- High magnetic shield construction should actualize high resolution for EMC protection.
- Available for automatic mounting in tape and reel package.
- The products contain no lead and also support lead-free soldering.

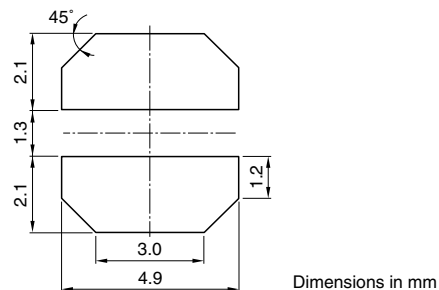
### APPLICATIONS

DC to DC converters for DVC, DSC, PDA, MD, LCD displays, HDDs, cellular phones, etc.

### SHAPES AND DIMENSIONS



### RECOMMENDED PC BOARD PATTERN



### ELECTRICAL CHARACTERISTICS

Part No.	Inductance ( $\mu$ H)	Inductance tolerance	Test frequency (kHz)	DC resistance( $\Omega$ )		Rated current(A)*	
				max.	typ.	Based on inductance change max.	Based on temperature rise typ.
VLCF5020T-2R2N2R6-3	2.2	$\pm 30\%$	100	0.043	0.038	2.62	3.25
VLCF5020T-2R7N2R2-3	2.7	$\pm 30\%$	100	0.054	0.046	2.28	2.98
VLCF5020T-3R3N2R0-3	3.3	$\pm 30\%$	100	0.065	0.055	2.02	2.76

\* Rated current: Value obtained when current flows and the temperature has risen to  $40^\circ\text{C}$  or when DC current flows and the nominal value of inductance has fallen by 30%, whichever is smaller.

- Operating temperature range:  $-40$  to  $+105^\circ\text{C}$  (Including self-temperature rise)

- Conformity to RoHS Directive: This means that, in conformity with EU Directive 2002/95/EC, lead, cadmium, mercury, hexavalent chromium, and specific bromine-based flame retardants, PBB and PBDE, have not been used, except for exempted applications.

- All specifications are subject to change without notice.