

## LED Spot Lamp, High power, 3W

TLL-MR16F3W-061

### Features:

- Spot Lamp High Power, MR16 base
- Product Number : TLL-MR16F3W-061
- Led quantity : 3w \* 1pcs
- Voltage : 12/110/220v
- Color : Red/ yellow/ blue/ green/ white/ orange/ purple
- Life time : 50000 hours
- Weight : 50g/pcs



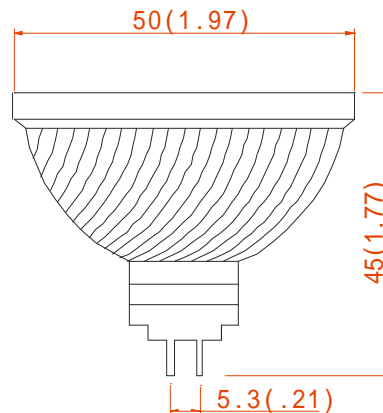
### Applications

widely used in Super Market, Hotel, Tavern, Night Club, Disco Hall, Karaoke Room, Coffee House, Bank, Meeting Room, Exhibition Hall, Exhibition Wardrobe, Show Window, Living House.

### Electrical-optical characteristics (Ta=25°C)

Part Number	LED#	Color	Voltage	Watts (W)	Brightness (LM)	Life (H)	Base	Equal to Conventional Lamp
TLL-MR16F3W-061-R	3w*1pcs	Red	12	3	50	50000	MR16	50W
TLL-MR16F3W-061-Y	3w*1pcs	Yellow	12	3	55	50000	MR16	50W
TLL-MR16F3W-061-B	3w*1pcs	Blue	12	3	55	50000	MR16	50W
TLL-MR16F3W-061-G	3w*1pcs	Green	12	3	80	50000	MR16	50W
TLL-MR16F3W-061-W	3w*1pcs	White	12	3	80	50000	MR16	50W

### Drawing



### Notes:

1. All dimensions are in millimeters (inches)
2. Tolerance is  $\pm 1\text{mm}(0.01\text{")}$  unless otherwise noted.
3. Specifications are subject to change without notice