

LED Spot Lamp, High power, 3W

[TLL-MR16HT3W-061]

Features:

- Spot Lamp High Power, MR16 base
- Product Number : TLL-MR16HT3W-061-XX
- Led quantity : 3pcs *1w
- Voltage : 12/110/220
- Color : Red/ yellow/ blue/ green/ white/ orange/ purple
- Life time : 50000 hours
- Weight : 50g/pcs

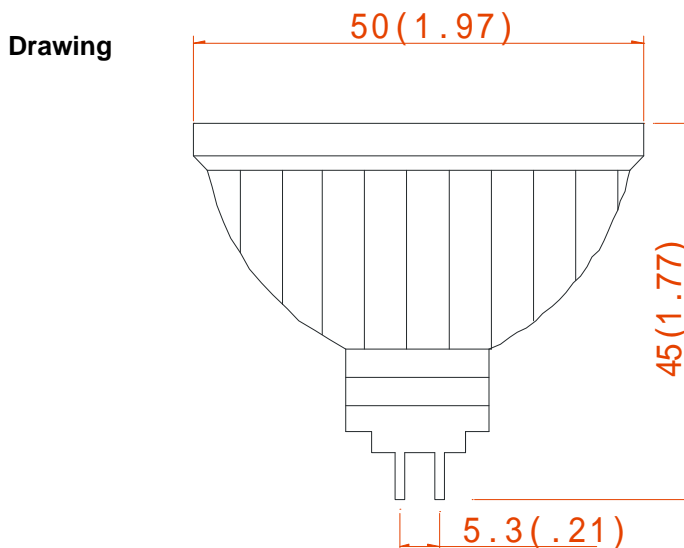


Applications

widely used in Super Market, Hotel, Tavern, Night Club, Disco Hall, Karaoke Room, Coffee House, Bank, Meeting Room, Exhibition Hall, Exhibition Wardrobe, Show Window, Living House.

Electrical-optical characteristics (Ta=25°C)

Part Number	LED#	Color	Voltage	Watts (W)	Brightness (LM)	Life (H)	Base	Equal to Conventional Lamp
TLL-MR16HT3W-061-R	1w*3pcs	Red	12	3	50	50000	MR16	50W
TLL-MR16HT3W-061-Y	1w*3pcs	Yellow	12	3	55	50000	MR16	50W
TLL-MR16HT3W-061-B	1w*3pcs	Blue	12	3	55	50000	MR16	50W
TLL-MR16HT3W-061-G	1w*3pcs	Green	12	3	80	50000	MR16	50W
TLL-MR16HT3W-061-W	1w*3pcs	White	12	3	80	50000	MR16	50W



Notes:

1. All dimensions are in millimeters (inches)
2. Tolerance is $\pm 1\text{mm}$ (0.01") unless otherwise noted.
3. Specifications are subject to change without notice