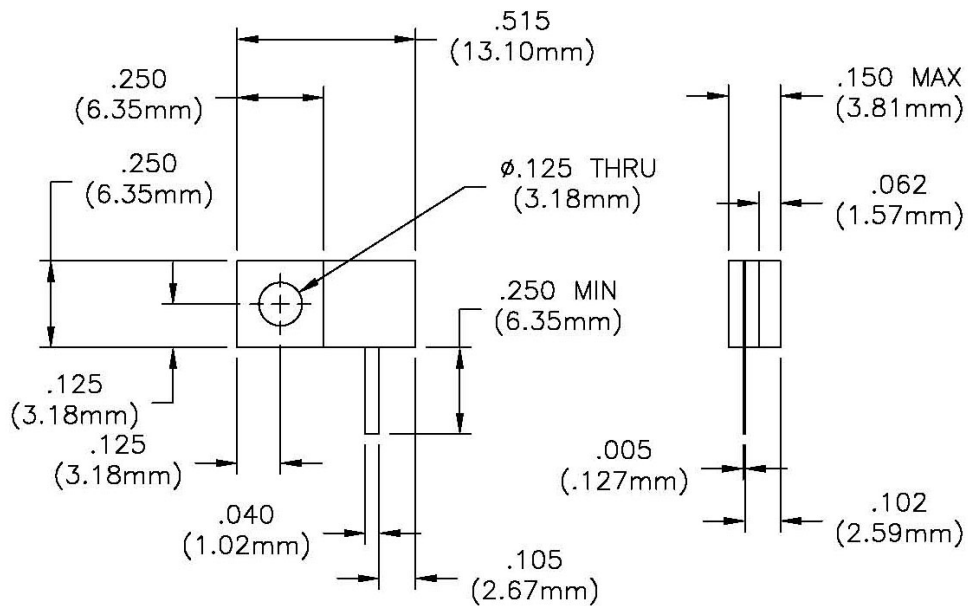


## Flange Termination

P/N: TFB-32-1121

Frequency Range(GHz)	DC-4.0
VSWR	1.20:1 max (1.1 max @ DC-1GHz)
Average Power(W)	60
Peak Power(W)	500
Temperature Coefficient	Less Than 200ppm
Operating Temperature(°C)	-55 ~ +150
Nominal Impedance(ohm)	50
DC Resistance(ohm)	50 ± 2%

### Outline Drawing



For current data sheets, please contact: [sales@aacix.com](mailto:sales@aacix.com)