

TEP-150WI Series ▶ 150 W



- ▶ Highest power density
- ▶ Wide 4:1 input voltage range
- ▶ Very high efficiency up to 87 %
- ▶ Selectable output characteristic (CV, CC)
- ▶ Adjustable output voltage
- ▶ Operating temperature range $-40\text{ }^{\circ}\text{C}$ to $+85\text{ }^{\circ}\text{C}$
- ▶ Reverse input protection
- ▶ I/O isolation 2250 VDC (basic insulation)
- ▶ Screw terminal connection
- ▶ Easy chassis and wall mounting



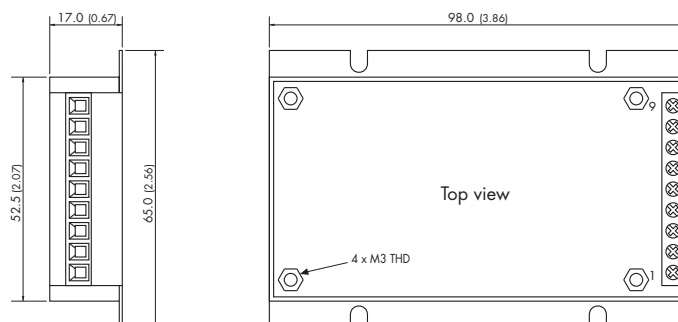
Specifications

Line regulation	0.2% max.
Load regulation	0.4% max.
Output voltage adjustment	+20 % by external resistor
Ripple & noise (20 MHz BW)	<1 % of Vout
Conducted EMI	EN 55022, class A and FCC, level A
Short circuit protection	continuous, automatic recovery
Reverse input protection	parallel diode
Efficiency	86% typ.
Operating temperature range	$-40\text{ }^{\circ}\text{C}$ to $+85\text{ }^{\circ}\text{C}$ for derating see datasheet
Thermal protection	shutdown at $110\text{ }^{\circ}\text{C}$
I/O isolation test voltage	2250 VDC (basic insulation)
Safety standards	cUL/UL 60950-1, IEC/EN 60950-1
Case	shielded metal case
Remote On/Off	shutdown input for low input current (3 mA) in standby operation

Models

Order code	Input voltage	Output voltage	Output current max.
TEP 150-2412WI		12 VDC	12.5 A
TEP 150-2413WI		15 VDC	10 A
TEP 150-2415WI	9 – 36 VDC	24 VDC	6.3 A
TEP 150-2416WI		28 VDC	5.4 A
TEP 150-2418WI		48 VDC	3.2 A
TEP 150-4812WI		12 VDC	12.5 A
TEP 150-4813WI		15 VDC	10 A
TEP 150-4815WI	18 – 75 VDC	24 VDC	6.3 A
TEP 150-4816WI		28 VDC	5.4 A
TEP 150-4818WI		48 VDC	3.2 A

Dimensions



() = Inches

Con.

1	+ Vin (Vcc)
2	+ Vin (Vcc)
3	- Vin (GND)
4	- Vin (GND)
5	Remote On/Off
6	+ Vout
7	- Vout
8	Trim
9	Trim