

GPS Antenna GPA-CG2C5

OUTLINE

This is a highly sensitive, efficient antenna for receiving GPS satellite waves. The GPA-CG2C5 is a Mitsumi standard product used as a automotive assembly line genuine part.



FEATURES

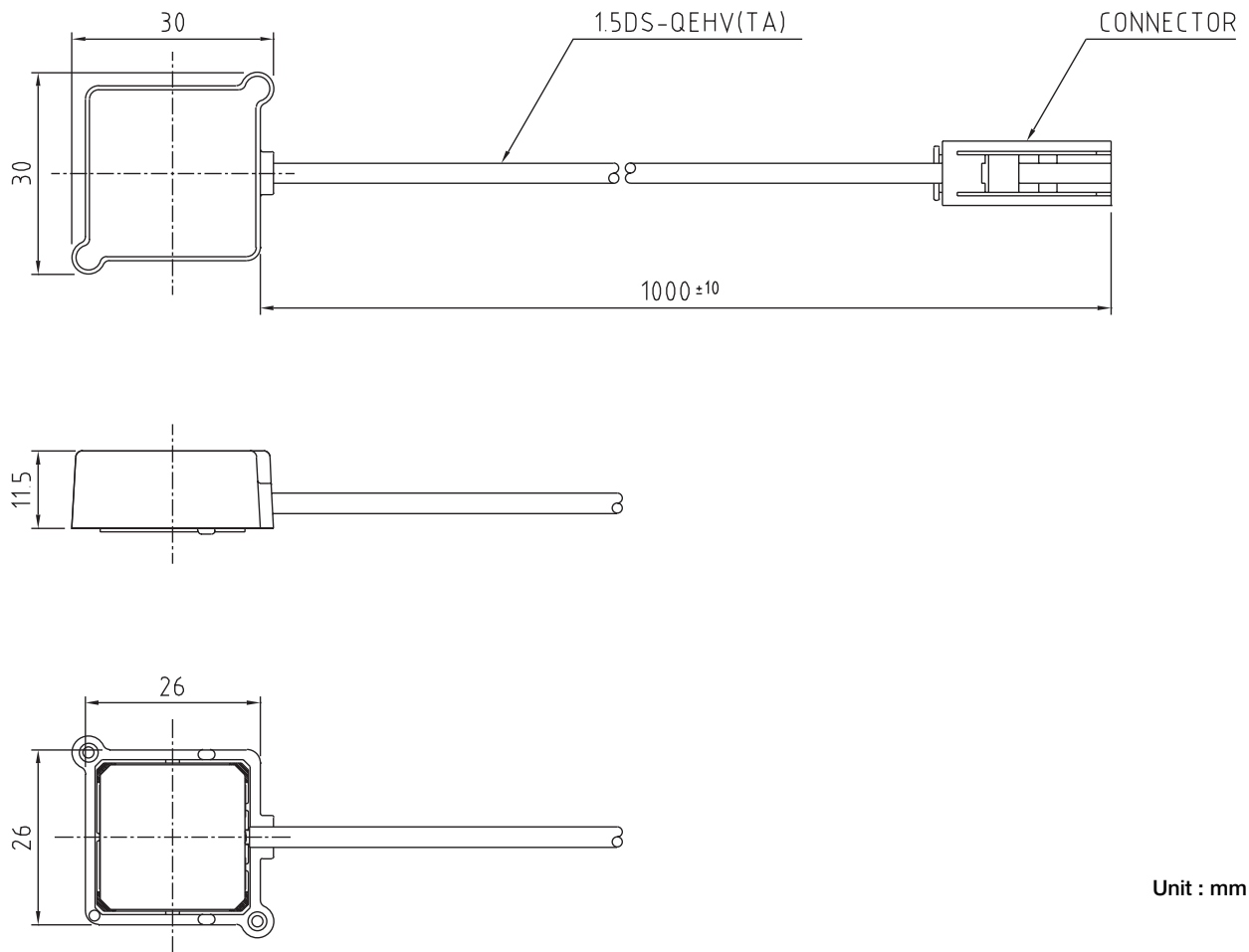
1. Utilizes Mitsumi standard case.
2. Miniature size 30 (W) × 30 (D) × 11.5 (H) mm.
3. Small antenna element 20 (W) × 20 (D) × 4 (H) mm.
4. Cable length and connector can be customized.
5. Various optional extras (mounting fixtures, spongers, and clips, etc.) are available to satisfy your needs.

SPECIFICATIONS

	Item	Specifications
Antenna	Reception frequency	1575.42±1.023MHz
	Reception polarization	Right Handed Circular Polarization
	Antenna gain	2dBi typ.
	Output impedance	50Ω
LNA	Reception frequency	1575.42±1.023MHz
	Noise factor	1.1dB typ.
	Gain	26dB typ.
	Gain flatness (within reception band)	1dB max.
	Ex-band attenuation	18dB min. (fo±50MHz)
Overall	Overall gain	28dBi typ. (Zenith)
	Power supply voltage	5.0V
	Consumption current	17mA typ. 25mA max.
	Minimum Order	30,000Pcs/Year

*Gain is for the standard cable length of 1m and grounding plate measuring 40×40mm.

DIMENSIONS



Unit : mm

*For the technical details of the products in this page, please refer to RF / NETWORK Sales Div. Phone : 042-310-4707.