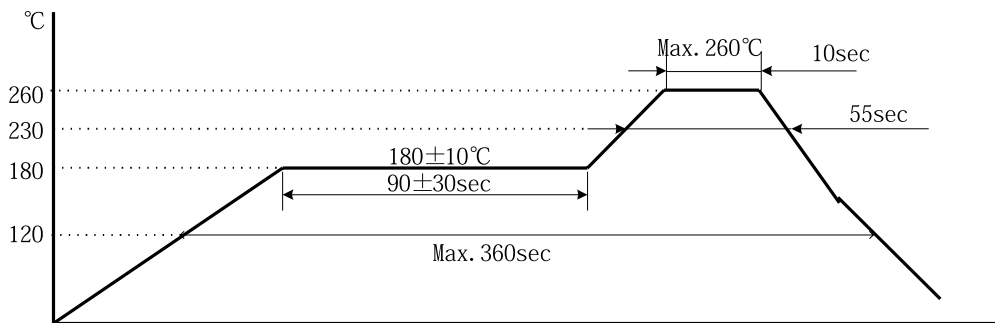
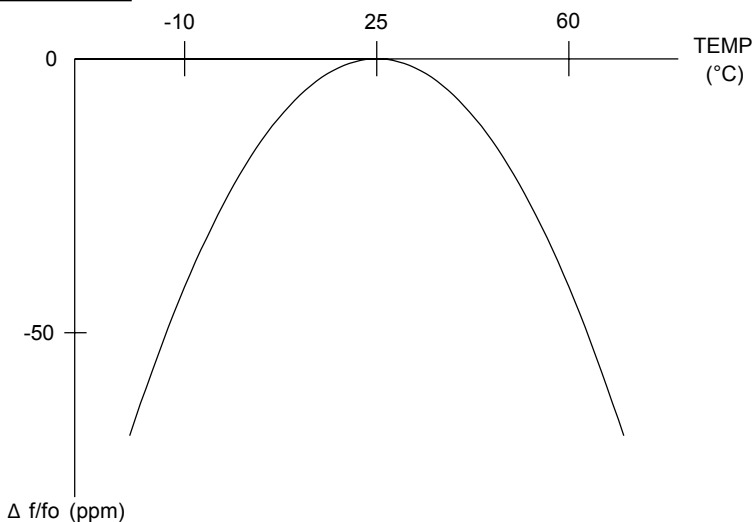


Soldering Profile:

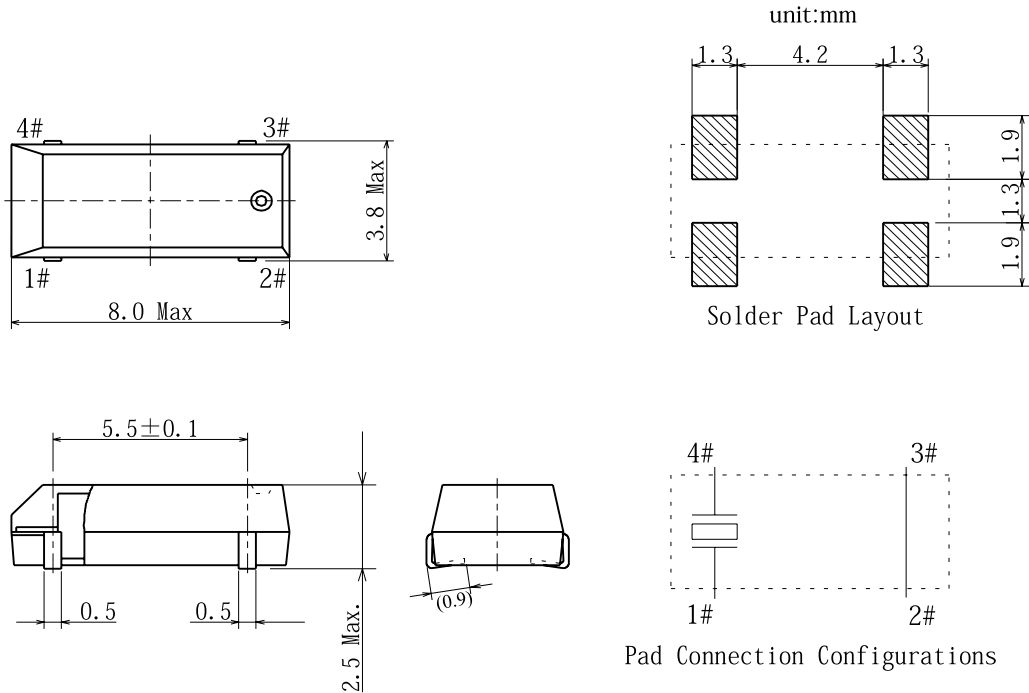
The soldering temperature is $260 \pm 5^\circ\text{C}$ for 10 sec max.



Frequency vs Temperature Curve:



Dimensions:

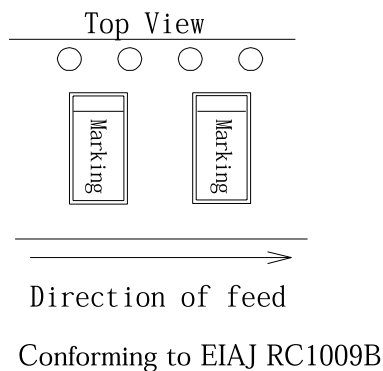
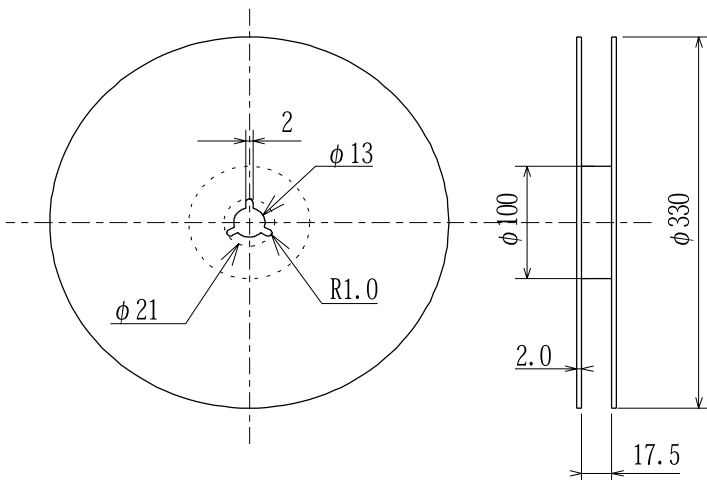
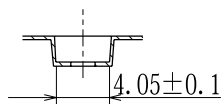
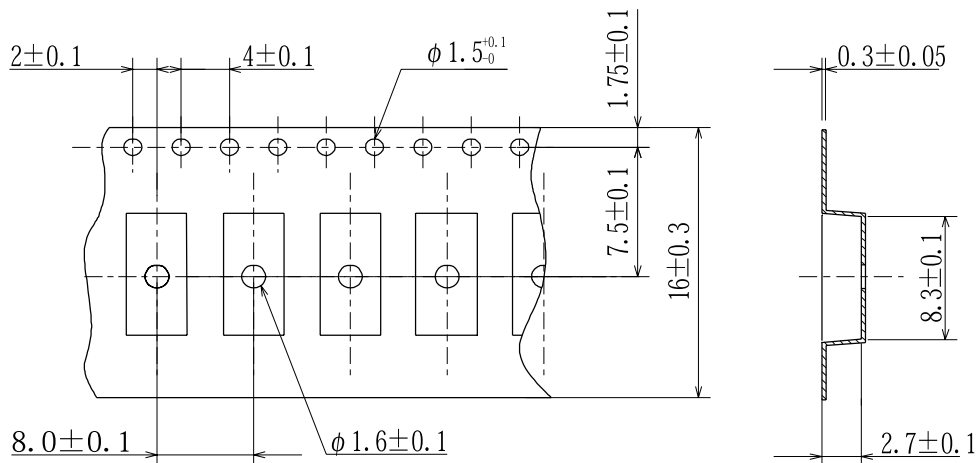


Remark: Specifications are subject to change without prior notice. Please confirm with our sales engineer.

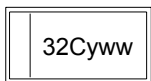
Packaging:

3000 pieces / Reel (13" Reel)

Precautions are taken to prevent damage due to transportation and handling.



Component Marking:



32C: Manufacturer's ID Code

y: The last digit of production year.

ww: Week Code

Label Marking:

Identified with RoHS 260°C

Remark: Specifications are subject to change without prior notice. Please confirm with our sales engineer.