

Open Carrier Double-Balanced Mixer For Microwave Telecommunications

MC2310
V2

Features

- LO 2.2 TO 8.0 GHz
- RF 3.4 TO 7.0 GHz
- IF DC TO 2.0 GHz
- LO DRIVE +10 dBm (NOMINAL)
- MICROSTRIP INTERFACE

Description

The MC2310 is a double balanced mixer, designed for use in military, commercial and test equipment applications. The design utilizes Schottky ring quad diodes and broadband soft dielectric and ferrite baluns to attain excellent performance. This mixer can also be used as a phase detector and/or bi-phase modulator since the IF port is DC coupled to the diodes. The use of high temperature solder and welded assembly processes used internally makes it ideal for use in manual, semi-automated assembly. Environmental screening available to MIL-STD-883, MIL-STD-202, or MIL-DTL-28837, consult factory.

Product Image



Ordering Information

| Part Number | Package |
|-------------|--------------|
| MC2310 | Open Carrier |

Electrical Specifications: $Z_0 = 50\Omega$ $L_o = +10$ dBm (Downconverter application only)

| Parameter | Test Conditions | Units | Typical | Guaranteed | |
|--|--|-------|---------|------------|---------------|
| | | | | +25°C | -54° to +85°C |
| SSB Conversion Loss (max) & SSB Noise Figure (max) | fR=3.4 to 7 GHz, fL=2.2 to 8 GHz, fl=0.05 to 0.5 GHz | dB | 5.2 | 7.0 | 7.5 |
| | fR=3.4 to 7 GHz, fL=2.2 to 8 GHz, fl=0.05 to 1.5 GHz | dB | 6.5 | 8.0 | 8.5 |
| | fR=3.4 to 7 GHz, fL=2.2 to 8 GHz, fl=0.05 to 2 GHz | dB | 7.0 | 8.5 | 9.0 |
| Isolation, L to R (min) | fL = 2.2 to 3 GHz | dB | 25 | 18 | 16 |
| | fL = 3 to 8 GHz | dB | 40 | 28 | 26 |
| Isolation, L to I (min) | fL = 2.2 to 3 GHz | dB | 20 | 13 | 11 |
| | fL = 3 to 4 GHz | dB | 30 | 18 | 16 |
| | fL = 4 to 8 GHz | dB | 42 | 30 | 28 |
| Isolation, R to I (min) | fL = 3.4 to 7 GHz | dB | 26 | | |
| 1 dB Conversion Comp. | fL = +10 dBm | dBm | +4 | | |
| Input IP3 | fR1 = 4.2 GHz at -10 dBm, fR2 = 4.21 at -10 dBm, fL = 2.7 GHz at +10 dBm | dBm | +13 | | |
| | fR1 = 6 GHz at -10 dBm, fR2 = 6.01 at -10 dBm, fL = 4.5 GHz at +10 dBm | dBm | +14 | | |

1

M/A-COM Inc. and its affiliates reserve the right to make changes to the product(s) or information contained herein without notice. M/A-COM makes no warranty, representation or guarantee regarding the suitability of its products for any particular purpose, nor does M/A-COM assume any liability whatsoever arising out of the use or application of any product(s) or information.

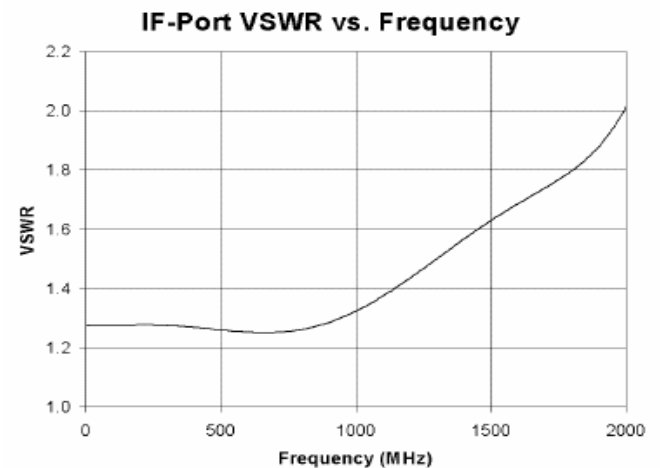
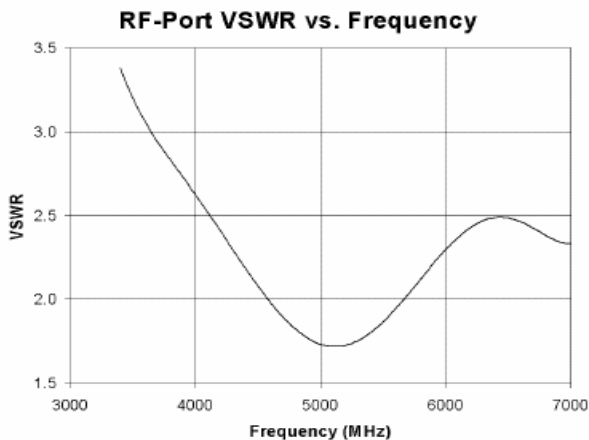
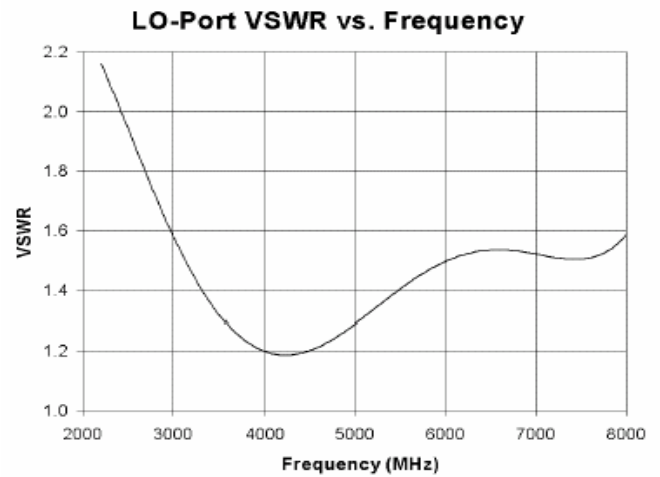
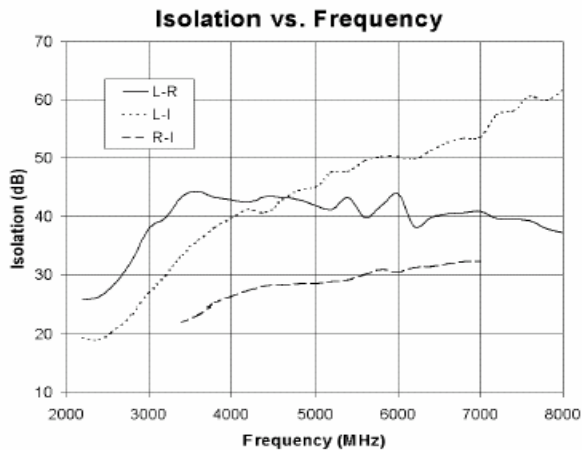
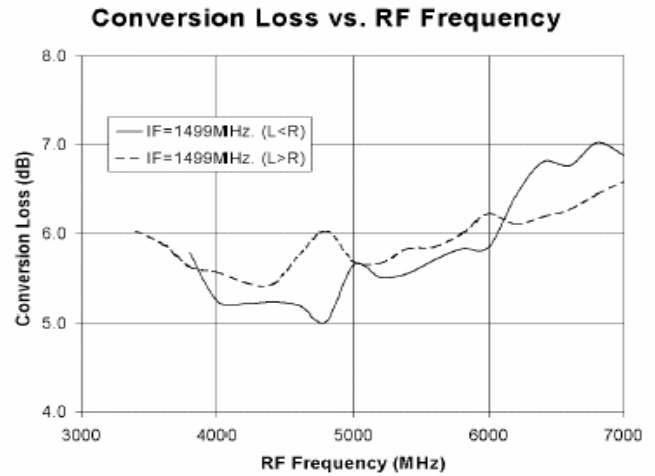
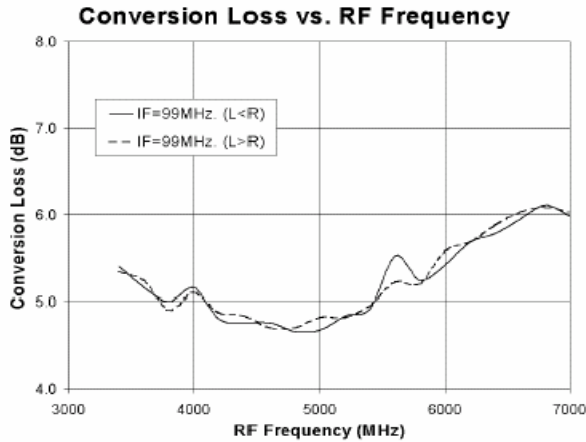
- **North America** Tel: 800.366.2266 / Fax: 978.366.2266
- **Europe** Tel: 44.1908.574.200 / Fax: 44.1908.574.300
- **Asia/Pacific** Tel: 81.44.844.8296 / Fax: 81.44.844.8298

Visit www.macom.com for additional data sheets and product information.

**Open Carrier Double-Balanced Mixer
For Microwave Telecommunications**

MC2310
V2

Typical Performance Curves



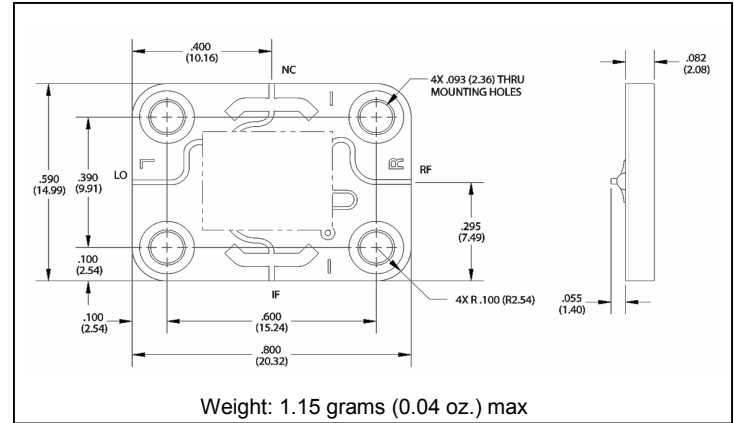
**Open Carrier Double-Balanced Mixer
For Microwave Telecommunications**

MC2310
V2

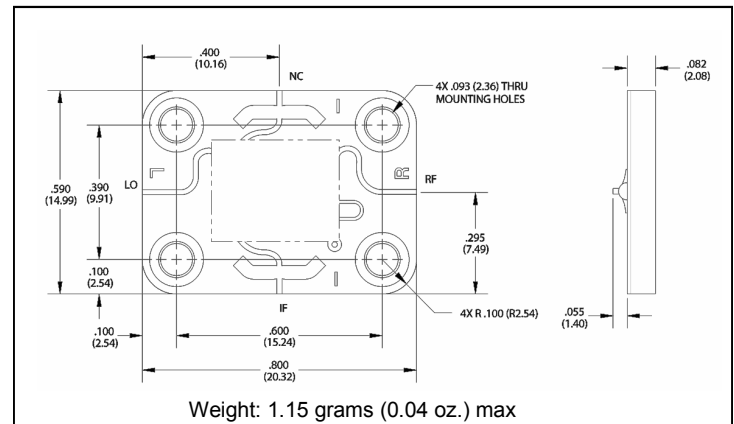
Absolute Maximum Ratings

| Parameter | Absolute Maximum |
|-----------------------|--|
| Operating Temperature | -54°C to +85°C |
| Storage Temperature | -65°C to +100°C |
| Peak Input Power | +23 dBm max @ +25°C +20 dBm max @ +85°C |
| Peak Input Current | 50 mA DC |

Outline Drawing: Open Carrier *MC4110



Outline Drawing: Open Carrier *MC4110-2



* Dimensions are inches (millimeters) ±0.015 (0.38) unless otherwise specified.