

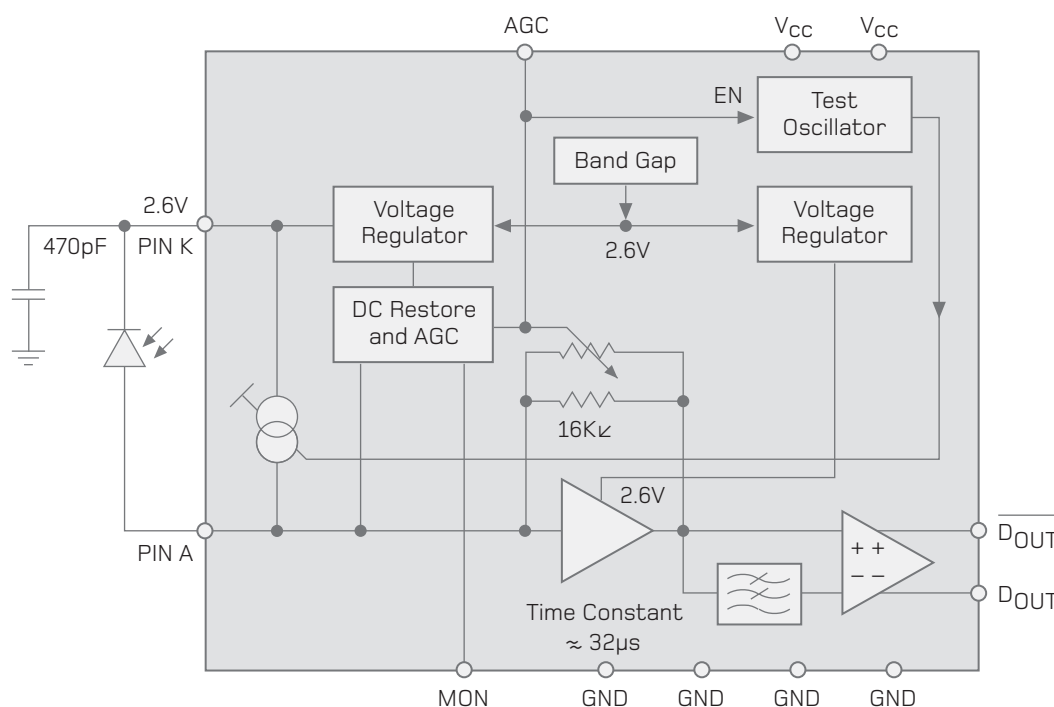
622 Mbps Pre-Amplifier

MC2009

The MC2009 is a low-noise, transimpedance amplifier with AGC, manufactured in an advanced, low-cost, sub-micron CMOS process. Its wide dynamic range, differential output and high-PIN bias make it well suited for telecommunications, especially OC-12/STM-4. However, the MC2009 is intended to meet the needs of both telecom and datacom users. The MC2009 is designed to be used with the MC2044C post-amplifier IC. When combined with a photodiode, the chipset forms a high-performance, low-cost 3.3V receiver.

KEY FEATURES

- Low cost IC, fabricated in advanced sub-micron pure-CMOS process.
- Receiver sensitivity better than -32 dBm at 622 Mbps
- Minimum 415 MHz -6 dB bandwidth and multi-pole roll off allows a wide range of operation up to 622 Mbps
- Typical differential transimpedance at low signal levels of 32 k.
- AGC gives continuous operation to +3 dBm
- > 33 dB power-supply noise rejection
- Typical 130 mW power consumption
- Monitor O/P gives liner indication of received optical power



www.mindspeed.com/salesoffices
General Information: (949) 579-3000
Headquarters – Newport Beach
4000 MacArthur Blvd., East Tower
Newport Beach, CA 92660-3007
Order# 500000A M01-0444

© 2002 Mindspeed Technologies™, a Conexant business. All rights reserved. Mindspeed and the Mindspeed logo are trademarks of Mindspeed Technologies. All other trademarks are the property of their respective owners. Although Mindspeed Technologies strives for accuracy in all its publications, this material may contain errors or omissions and is subject to change without notice. **This material is provided as is and without any express or implied warranties, including merchantability, fitness for a particular purpose and non-infringement.** Mindspeed Technologies shall not be liable for any special, indirect, incidental or consequential damages as a result of its use.

MINDSPEED™
A CONEXANT BUSINESS