

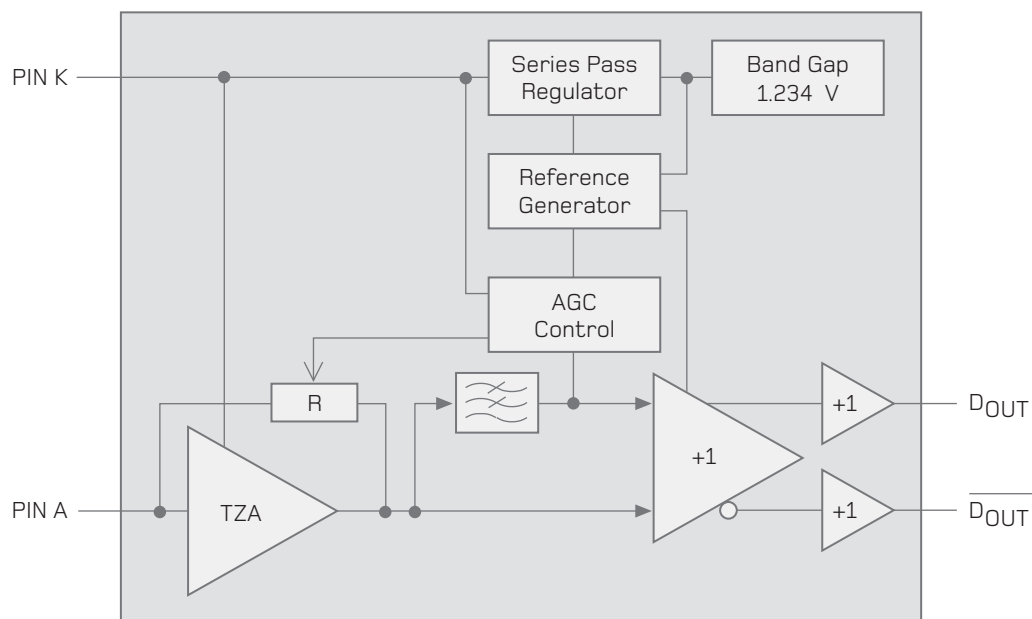
200 Mbps Pre-Amplifier

MC2007

The MC2007 is a low-noise, transimpedance amplifier with automatic gain control (AGC), manufactured in an advanced, low-cost, submicron CMOS process. Its wide dynamic range, differential output and high PIN bias make it well-suited for telecommunications, especially OC-3/STM-1. However, the MC2007 is intended to meet the needs of both telecom and datacom users. The MC2007 is designed to be used with the Mindspeed Technologies™ MC2045 post-amplifier IC. When combined with a photodiode, the chipset forms a high-performance, low-cost 3.3 V receiver.

KEY FEATURES

- Low-cost IC, fabricated in advanced sub-micron pure CMOS process
- Receiver sensitivity better than -39 dBm at 155 Mbps when integrated into a module with suitable photodiode and post-amplifier
- 140 MHz bandwidth allows wide range of operation; suitable for 100, 125, 155 and 200 Mbps
- Typical differential gain of 62kohms at low signal levels
- AGC gives continuous operation to +3 dBm
- >35 dB power supply noise rejection
- 65 mW power consumption at +3.3 V supply
- Available as die or in an 8-pin SOIC package



www.mindspeed.com/salesoffices
General Information: (949) 579-3000
Headquarters – Newport Beach
4000 MacArthur Blvd., East Tower
Newport Beach, CA 92660-3007
Order# 500000A M01-0443

© 2002 Mindspeed Technologies™, a Conexant business. All rights reserved. Mindspeed and the Mindspeed logo are trademarks of Mindspeed Technologies. All other trademarks are the property of their respective owners. Although Mindspeed Technologies strives for accuracy in all its publications, this material may contain errors or omissions and is subject to change without notice. **This material is provided as is and without any express or implied warranties, including merchantability, fitness for a particular purpose and non-infringement.** Mindspeed Technologies shall not be liable for any special, indirect, incidental or consequential damages as a result of its use.

MINDSPEED™
A CONEXANT BUSINESS