

# Integrated Tuner for Digital Terrestrial/BS/110 Degree CS Broadcasting Receiver for Japan DMT33-J07D

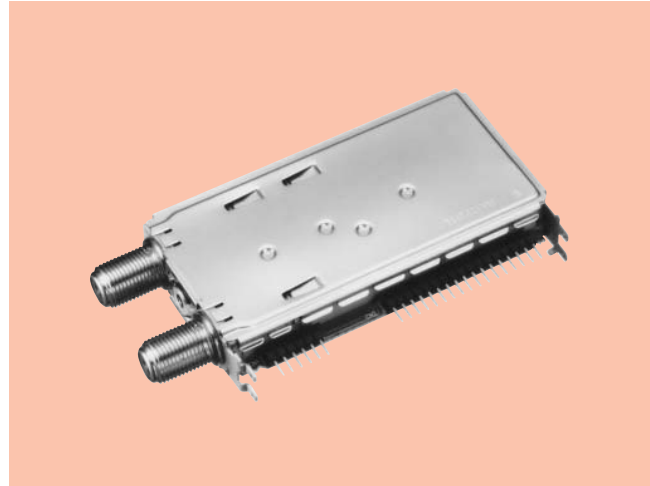
Terrestrial Tuners, RF Modulators

## OUTLINE

Compatible with Japanese domestic specifications on Digital Terrestrial Broadcasting (ISDB-T) and Digital BS/Digital 110 Degree CS Broadcasting (ISDB-S). (In conformance with ARIB standards)

Built in high technology and high performance demodulation IC that supports Digital Terrestrial/BS/110 Degree CS Broadcasting. Super sensitivity, with superior tolerance to various types of interference, integrated in a compact size pack.

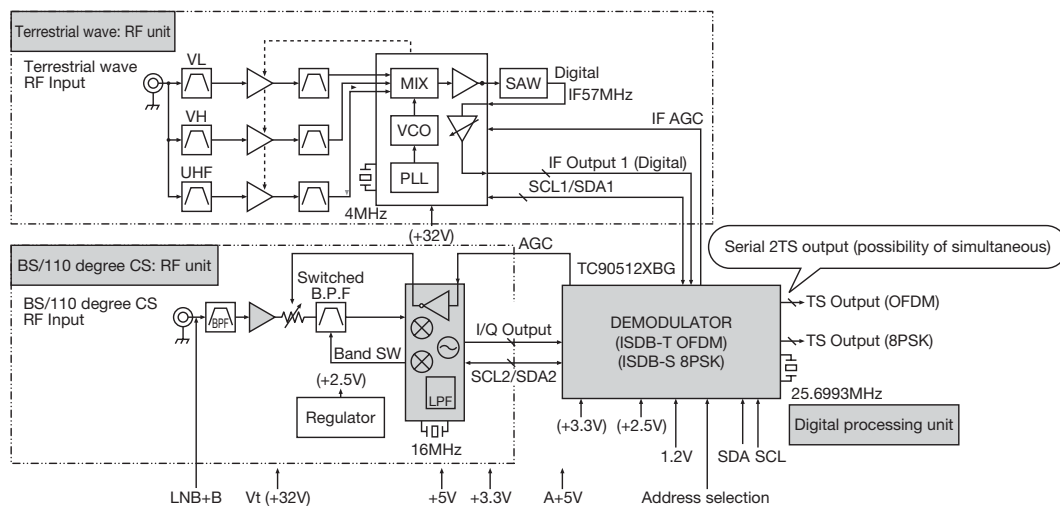
For terrestrial and satellite broadcasting reception, RF unit, OFDM/PSK NIM-type built in demodulation unit.



## FEATURES

1. High sensitivity that supports ISDB-T, ISDB-S; high C/N margin characteristics.
2. Possibility of integration into Flat TV, DVD recorder, dedicated receiver (STB), computers, etc.
3. Smaller in volume by 18.6% than our previous model
4. Powered by 4 power sources: 1.2, 3.3, 5 and 32V.
5. Possibility of upright or horizontal configurations.
6. Possibility of simultaneous serial 2TS output.

## BLOCK DIAGRAM



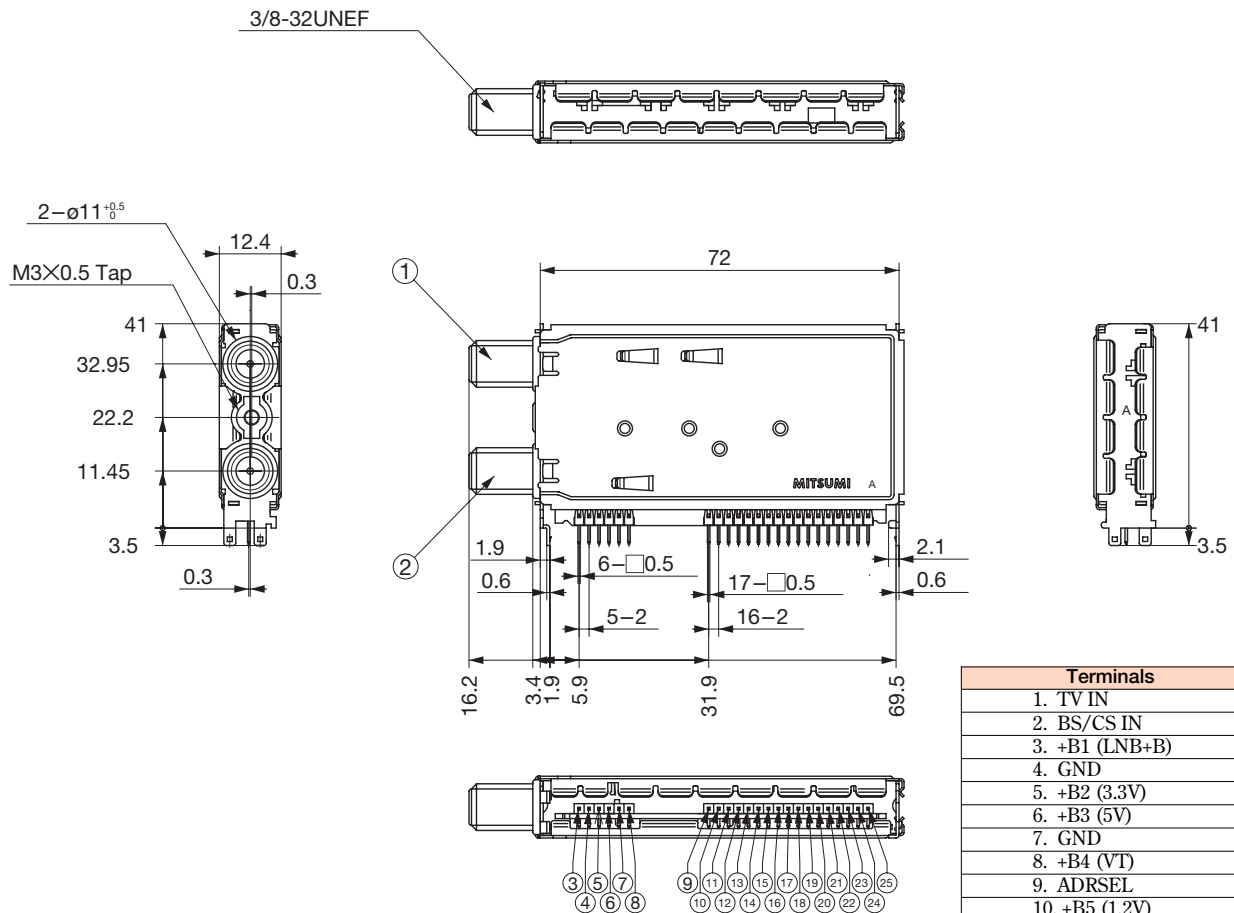
Integrated Tuner for Digital Terrestrial/BS/110 Degree CS Broadcasting Receiver for Japan

SPECIFICATIONS

Item	Specifications
Receiving Frequency Range	OFDM: VHF/UHF/CATV 90~770MHz PSK: 950~2150MHz
Input Level Range	OFDM: -20~-75dBm PSK: -25~-65dBm
IF Frequency	OFDM: 57MHz, PSK: Zero-IF
Base Band Band-Width	PSK: 22.5MHz (I/Q OUT L.P.F. cutoff frequency)
Controller Bus Interface	I <sup>2</sup> C BUS
Dimension (Mounting area)	72 (W) × 41 (D) × 12.4 (H)

\*Note Specifications subject to change without notice.

DIMENSIONS



Terminals
1. TV IN
2. BS/CS IN
3. +B1 (LNB+B)
4. GND
5. +B2 (3.3V)
6. +B3 (5V)
7. GND
8. +B4 (VT)
9. ADDRSEL
10. +B5 (1.2V)
11. GND
12. JRSEERR
13. JSBYTE
14. JSRCK
15. JSRDT
16. JPBVAL
17. SBYTE
18. PBVAL
19. SRDT
20. SRCK
21. RSERR
22. PORT1
23. SCL
24. SDA
25. /RESET

Unit : mm  
General Tolerance : ±0.5mm

\*For the technical details of the products in this page, please refer to Marketing & Engineering Div., AVC Business Div., Network Devices Business HQ. 046-230-3480.