

Frequency Doubler

High Isolation, In-line Output

Model FD9xMS-1

Input 2.0 to 10.0 GHz
Output 4.0 to 20.0 GHz

Electrical Specifications ⁽¹⁾:

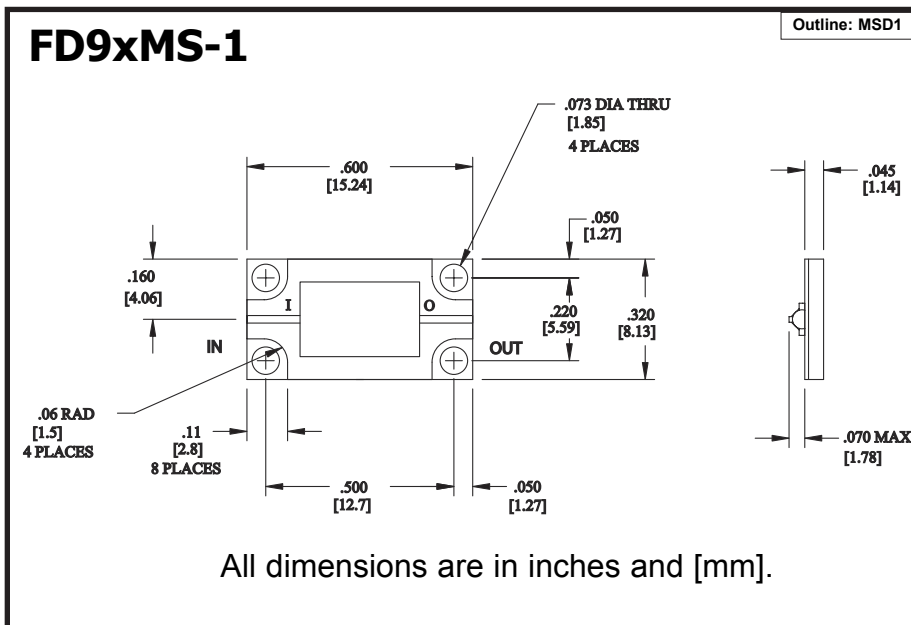
Parameter	Conditions		Specifications		
	Input (GHz)	Output (GHz)	Min	Typical	Max
Insertion Loss: ⁽²⁾	2.0-9.0	4.0-18.0		11.0 dB	13.0 dB
	1.5-10.0	3.0-20.0		11.5 dB	15.0 dB
Fundamental Isolation: ⁽³⁾	2.0-10.0	2.0-10.0	25 dB	33 dB	
Third Harmonic Suppression: ⁽⁴⁾	2.0-7.0	6.0-21.0	20 dBc	33 dBc	
Input VSWR:	1.5-5.0	3.0-10.0		2.2:1	
	5.0-10.0	10.0-20.0		1.75:1	
Input Power:	1.5-10.0	3.0-20.0		+11 dBm	FD96
				+17 dBm	FD97

Model FD9xMS-1

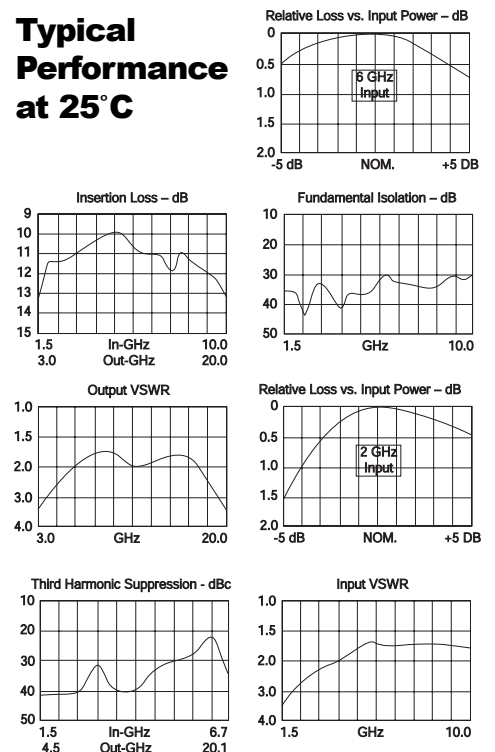
Input Power
6 = +11 dBm
7 = +17 dBm

Notes:

- Specifications are guaranteed when tested as a doubler in a 50 Ohm system at +25 °C with nominal input power. Specifications indicated as typical are not guaranteed.
- Insertion loss typically degrades less than 0.5 dB at +100°C and improves less than 0.5 dB at -55°C.
- Fundamental isolation is referenced to the fundamental input.
- Third Harmonic Suppression is referenced to the second harmonic output.



Typical Performance at 25 °C



Spectrum Microwave · 2144 Franklin Drive N.E. · Palm Bay, FL 32905 · PH (888) 553-7531 · Fax (888) 553-7532

www.SpectrumMicrowave.com · Spectrum Microwave (Europe) · 2707 Black Lake Place · Philadelphia, PA 19154 · PH (215) 464-4000 · Fax (215) 464-4001