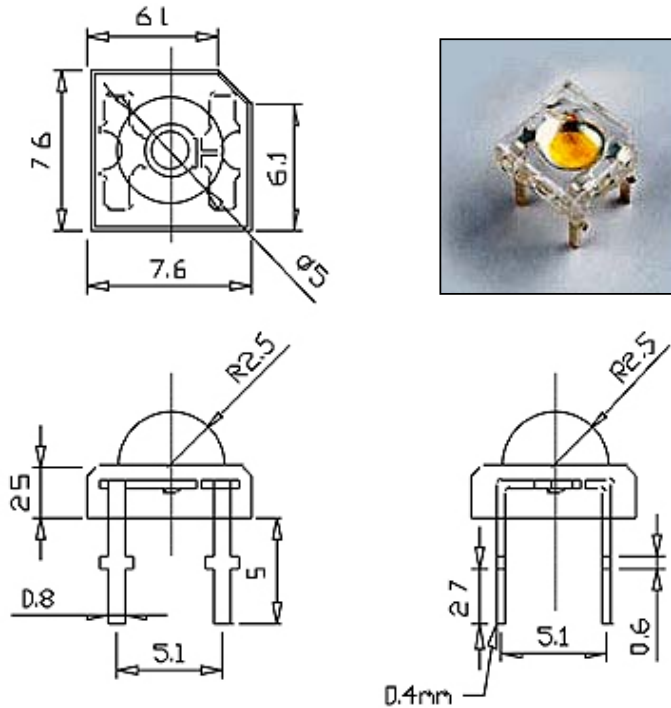


# 5R4S2HCA

## Dimensions



PRODUCT MODEL		EMITTING COLOR			MATERIAL	
<b>5R4S2HCA</b>		<b>SUPER RED</b>			<b>GaAlInp</b>	
<b>Electro-Optical Characteristics (T<sub>a</sub> = +25°C)</b>						
PARAMETER	SYMBOL	TEST CONDITIONS	MIN	TYP.	MAX	UNIT
Forward Voltage	V <sub>F</sub>	I <sub>F</sub> = 20 mA	1.90	2.0	2.50	V
Reverse Current	I <sub>R</sub>	V <sub>R</sub> = 5 V			10	μA
Luminous intensity	I <sub>v</sub>	I <sub>F</sub> = 80 mA	3000	4000	6000	mcd
Chromaticity Coordinate	λ <sub>p</sub>	I <sub>F</sub> = 80 mA	<b>620</b>	<b>622</b>	<b>625</b>	nm
	Δλ	I <sub>F</sub> = 80 mA		20		nm
Viewing Angle	Δθ	I <sub>F</sub> = 80 mA		±90		deg
<b>ABSOLUTE MAXIMUM RATINGS (T<sub>a</sub> = +25°C)</b>						
Reverse Voltage (V)	Continuous Forward Current (mA)	Peak forward Current (mA)	Power Dissipation (mw)	Operating Temperature Range (°C)	Storage Temperature Range (°C)	
10	100	500	200	-40~85	-40~100	

### ROITHNER LASERTECHNIK

Schoenbrunner Strasse 7, 1040 Vienna, Austria  
 Tel.: +43-1-586 52 43 - 0 Fax.: +43-1-586 52 43 44  
 office@roithner-laser.com www.roithner-laser.com