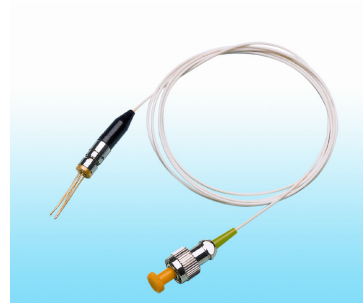


■ **Features**

- a. InGaAsP/InP MQW DFB LD
- b. Low Threshold Current
- c. High Reliability
- d. High Output Power
- e. Built-in Optical Isolator



■ **Applications**

- a. Data Communication
- b. Video Transmission
- c. CATV

■ **Absolute Maximum Ratings**

Parameter	Symbol	Min.	Max.	Unit
LD Forward Current	$I_{f(LD)}$	-	$I_{th}+40mA(DC)$	mA
LD Reverse Voltage	$V_{r(LD)}$	-	2	V
PD Forward Current	$I_{f(PD)}$	-	2	mA
PD Reverse Voltage	$V_{r(PD)}$	-	20	V
Operating Temperature	T_{op}	-40	85	
Storage Temperature	T_{stg}	-40	100	
Soldering Temperature, Time	-	-	260 , 10 S	,S

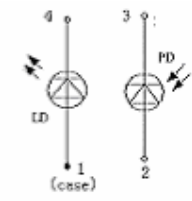
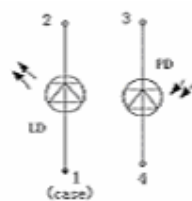
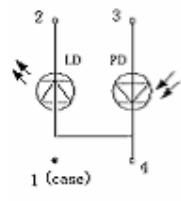
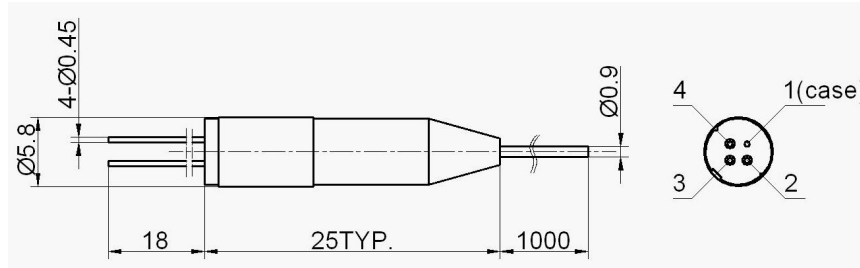
■ **Optical and Electrical Characteristics (T=25)**

Parameter	Symbol	Min.	Typ.	Max.	Unit	Test Condition
Center Wavelength	λ_c	1530	1550	1570	nm	$I_f = I_{th}+20mA$
Output Power	P_o	1.5	2.0	-	mW	CW, $I_f = I_{th}+20mA$
Threshold Current	I_{th}	-	10	30	mA	$I_f = I_{th}+20mA$
Operating Voltage	V_{op}	-	1.1	1.8	V	$I_f = I_{th}+20mA$
Rise/Fall Time	t_r/t_f	-	0.2	0.4	ns	10~90%
Spectral Width (-20dB)	$\Delta\lambda$	-	1	-	nm	-
Side Mode Suppression Ratio	SMSR	30	40	-	dB	-
Monitor Current	I_m	0.1	0.5	-	mA	$I_f = I_{th}+20mA$
Optical Isolation	Iso	30	-	-	dB	-

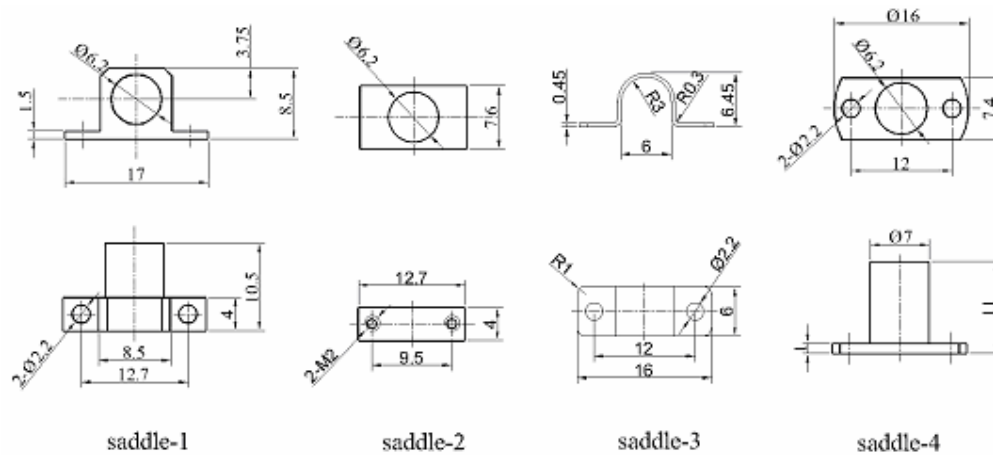
1550nm DFB LD Module ALD-060XX/ALD-061XX

■ Pin Assignment and Dimension (mm)

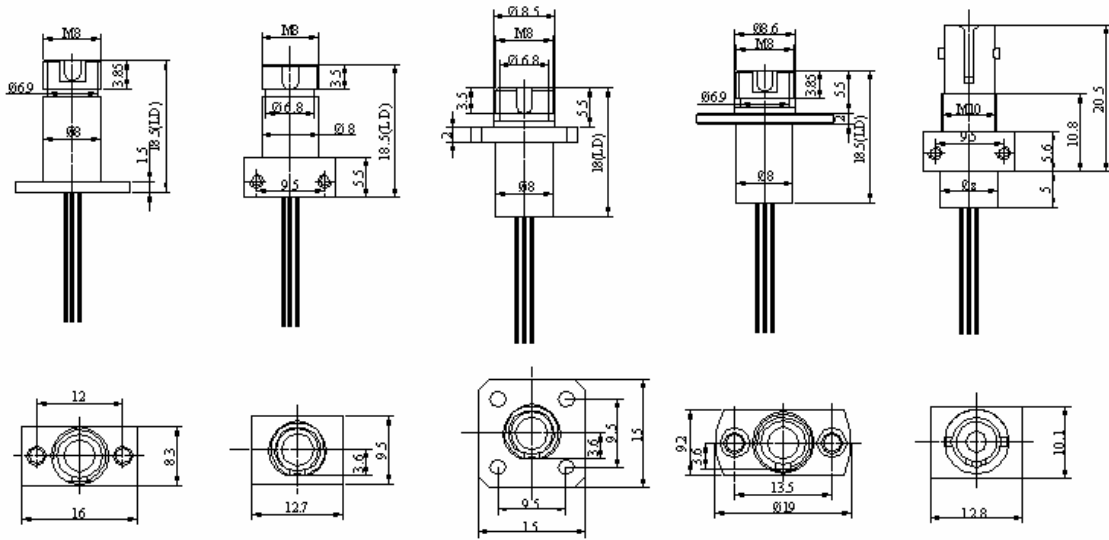
Pigtail Type



Pigtail with SC, FC, ST Connector



Receptacle Type



FC-CONNECT-1

FC-CONNECT-2

FC-CONNECT-3

FC-CONNECT-4

ST-CONNECT

■ Ordering Information

Part No.	Bandwidth	Optical Isolation	Connector	Pin Assignment	Saddle Type
ALD-06001	622Mbps	30dB	FC/APC	2	Saddle-1 Saddle-2 Saddle-3 Saddle-4
ALD-06002	2.5Gbps	30dB	FC/APC	2	
ALD-06003	2.5Gbps	30dB	FC/PC	2	
ALD-06004	2.5Gbps	30dB	FC/APC	1	