

■ **Features**

- a. InGaAsP/InP MQW FP LD
- b. Low Threshold Current
- c. Built-in InGaAs Monitor PD
- d. High Reliability

■ **Applications**

Fiber Optical Transmission System



■ **Absolute Maximum Ratings**

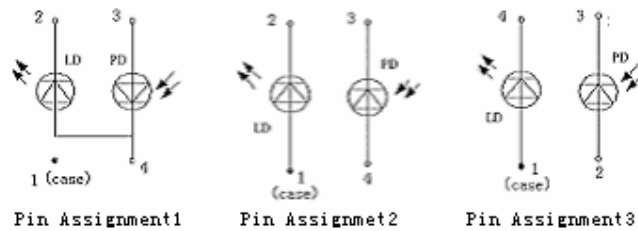
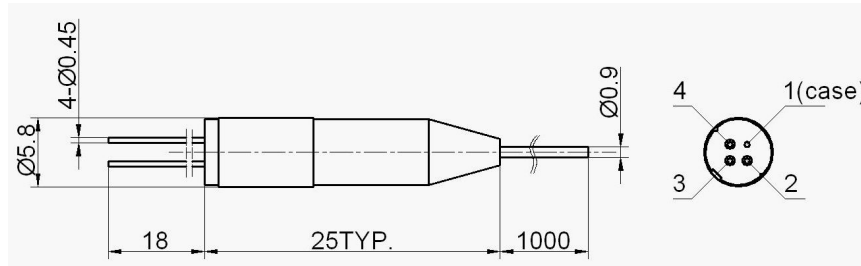
Parameter	Symbol	Min.	Max.	Unit
Reverse Voltage	$V_R$	-	2	V
Operating Temperature	$T_{op}$	-40	85	
Storage Temperature	$T_{stg}$	-40	100	
Soldering Temperature, Time	-	-	260 , 10 S	,S

■ **Optical and Electrical Characteristics (T=25 )**

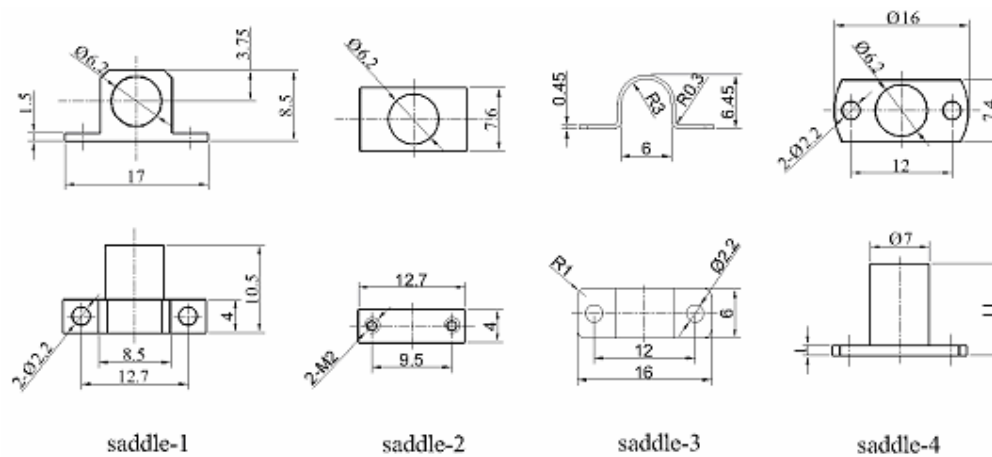
Parameter	Symbol	Min.	Typ.	Max.	Unit	Test Condition
Center Wavelength	$\lambda_c$	1520	1550	1580	nm	-
Output Power	$P_o$	-	0.4	-	W	CW, $I_{th}+20mA$
Threshold Current	$I_{th}$	-	10	30	mA	-
Operating Voltage	$V_{op}$	-	1.1	1.5	V	CW, $I_{th}+20mA$
Rise/Fall Time	$t_r/t_f$	-	0.3	0.7	ns	10~90%
Spectral Width (RMS)	$\Delta\lambda$	-	3	5	nm	-
Monitor Current	$I_m$	0.1	0.5	-	mA	CW, $I_{th}+20mA$

■ Pin Assignment and Dimension (mm)

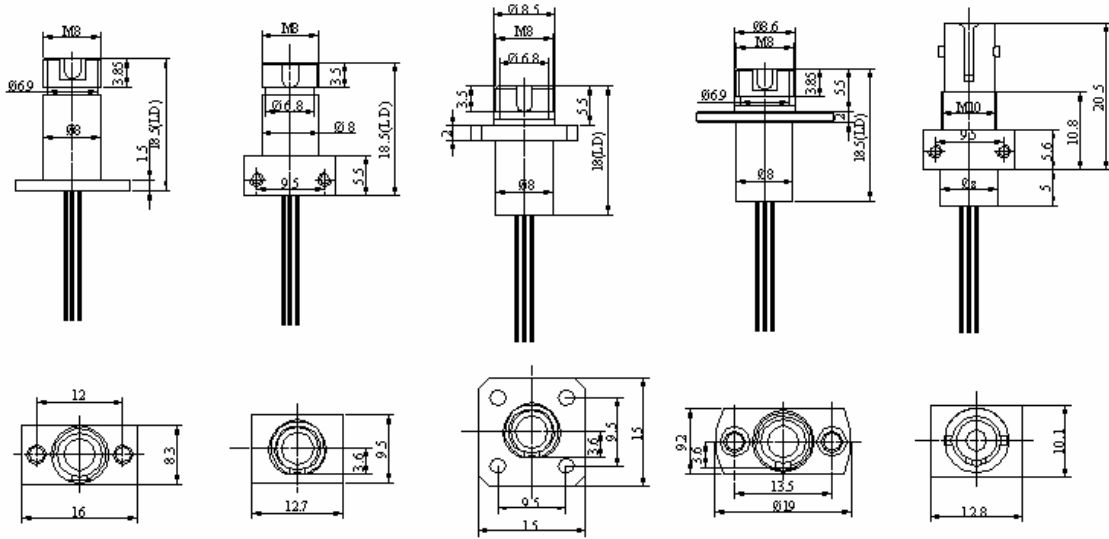
Pigtail Type



Pigtail with SC, FC, ST Connector



**Receptacle Type**



FC-CONNECT-1

FC-CONNECT-2

FC-CONNECT-3

FC-CONNECT-4

ST-CONNECT

■ **Ordering Information**

Part No.	Product	Output Power (Max.)	Connector	Pin Assignment
ALD-05001	1550nm FP Receptacle	1mW	FC-Connect-3	2
ALD-05002	1550nm FP Receptacle	1mW	ST	2
ALD-05003	1550nm FP Receptacle	1mW	FC-Connect-1	2
ALD-05004	1550nm FP Receptacle	1mW	FC-Connect-2	2
ALD-05005	1550nm FP Receptacle	1mW	ST	1

Part No.	Product	Output Power (Max.)	Connector	Pin Assignment	Saddle Type
ALD-05101	1550nm FP Pigtail	1mW	FC/PC	1	Saddle-1 Saddle-2 Saddle-3 Saddle-4
ALD-05102	1550nm FP Pigtail	1mW	FC/APC	1	
ALD-05103	1550nm FP Pigtail	1mW	ST/PC	1	
ALD-05104	1550nm FP Pigtail	1mW	SC/PC	1	
ALD-05105	1550nm FP Pigtail	1mW	SC/PC	2	
ALD-05106	1550nm FP Pigtail	1mW	SC/APC	2	