

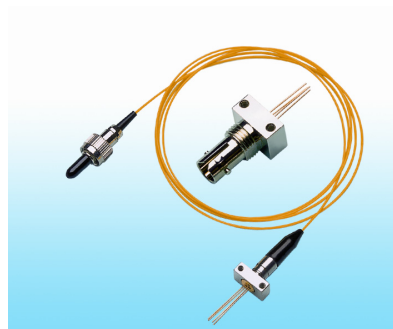
1310nm FP LD Module ALD-030XX/ALD-031XX

■ Features

- a. InGaAsP/InP MQW FP LD
- b. Low Threshold Current
- c. Built-in InGaAs Monitor PD
- d. High Reliability

■ Applications

Fiber Optical Transmission System



■ Absolute Maximum Ratings

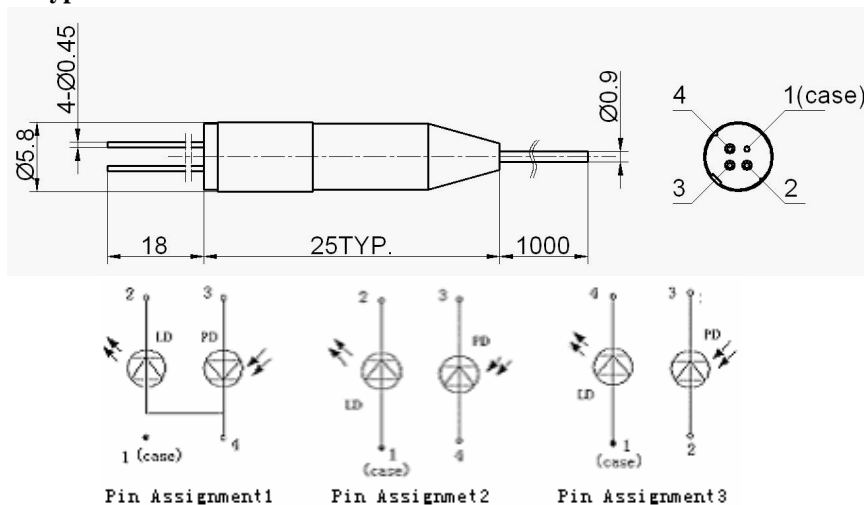
Parameter	Symbol	Min.	Max.	Unit
Reverse Voltage	V_r	-	2	V
Operating Temperature	T_{op}	-40	85	
Storage Temperature	T_{stg}	-40	100	
Soldering Temperature, Time	-	-	260 , 10 S	,S

■ Optical and Electrical Characteristics (T=25)

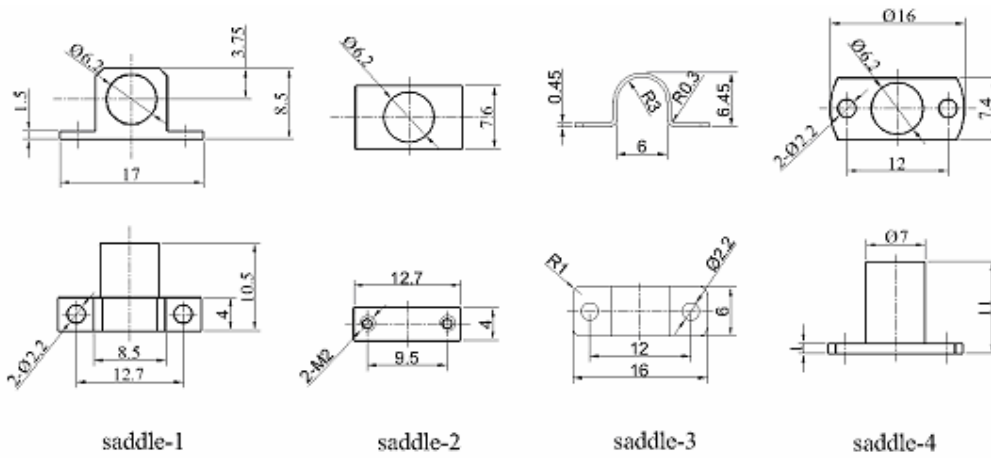
Parameter	Symbol	Min.	Typ.	Max.	Unit	Test Condition
Central Wavelength	λ_c	1290	1310	1330	nm	-
Output Power	P_o	-	0.6	-	mW	CW, $I_{th}+20mA$
Threshold Current	I_{th}	-	-	15	mA	-
Operating Voltage	V_{op}	-	1.1	1.5	V	CW, $I_{th}+20mA$
Rise/ Fall Time	t_r/t_f	-	0.3	0.7	ns	10~90%
Spectral Width (RMS)	$\Delta\lambda$	-	3	5	nm	CW, $I_{th}+20mA$
Monitor Current	I_m	0.1	0.7	-	mA	CW, $I_{th}+20mA$

■ Pin Assignment and Dimension (mm)

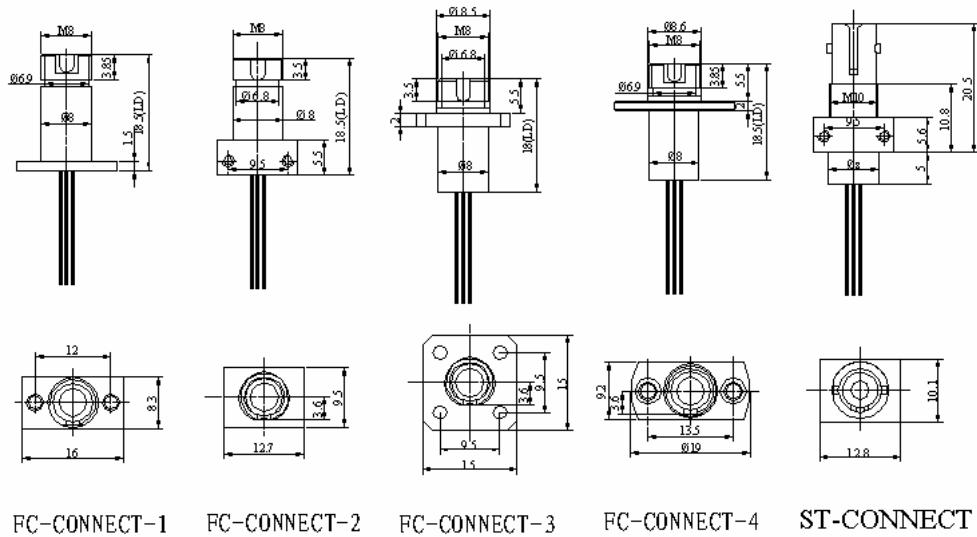
Pigtail Type



Pigtail with SC, FC, ST Connector



Receptacle Type



1310nm FP LD Module

ALD-030XX/ALD-031XX



■ Ordering Information

Part No.	Product	Output Power	Bandwidth	Connector	Pin Assignment
ALD-03001	1310nm FP Receptacle	1mW	622Mbps	ST	1
ALD-03002	1310nm FP Receptacle	1mW	622Mbps	FC-Connect-1	2
ALD-03003	1310nm FP Receptacle	1mW	622Mbps	FC-Connect-2	2
ALD-03004	1310nm FP Receptacle	1mW	622Mbps	FC-Connect-3	2
ALD-03005	1310nm FP Receptacle	1mW	622Mbps	FC-Connect-1	1
ALD-03006	1310nm FP Receptacle	1mW	622Mbps	FC-Connect-2	1
ALD-03007	1310nm FP Receptacle	1mW	622Mbps	FC-Connect-3	1
ALD-03008	1310nm FP Receptacle	1mW	622Mbps	SC	1
ALD-03009	1310nm FP Receptacle	1mW	1.25Gbps	ST	1
ALD-03010	1310nm FP Receptacle	1mW	1.25Gbps	FC-Connect-1	1
ALD-03011	1310nm FP Receptacle	1mW	1.25Gbps	FC-Connect-2	1
ALD-03012	1310nm FP Receptacle	1mW	1.25Gbps	FC-Connect-3	1
ALD-03013	1310nm FP Receptacle	1mW	1.25Gbps	SC	1
ALD-03014	1310nm FP Receptacle	1.5 to 2mW	622Mbps	ST	1
ALD-03015	1310nm FP Receptacle	1mW	2.5Gbps	ST	1
ALD-03016	1310nm FP Receptacle	1mW	622Mbps	ST	2

Part No.	Product	Output Power	Bandwidth	Connector	Pin Assignment	Saddle Type
ALD-03100	1310nm FP Pigtail	> 1mW	1.25Gbps	ST/APC	2	Saddle-1 Saddle-2 Saddle-3 Saddle-4
ALD-03101	1310nm FP Pigtail	> 1mW	622Mbps	FC/APC	2	
ALD-03102	1310nm FP Pigtail	> 1mW	622Mbps	SC/APC	2	
ALD-03103	1310nm FP Pigtail	> 1mW	1.25Gbps	ST/APC	3	
ALD-03104	1310nm FP Pigtail	1 to 1.5 mW	622Mbps	FC/APC	2	
ALD-03105	1310nm FP Pigtail	< 1mW	622Mbps	FC/PC	2	
ALD-03106	1310nm FP Pigtail	< 1mW	622Mbps	FC/APC	2	
ALD-03107	1310nm FP Pigtail	< 1mW	622Mbps	ST/PC	2	
ALD-03108	1310nm FP Pigtail	< 1mW	622Mbps	FC/PC	1	
ALD-03109	1310nm FP Pigtail	< 1mW	622Mbps	FC/APC	1	
ALD-03110	1310nm FP Pigtail	< 1mW	622Mbps	ST/PC	1	
ALD-03111	1310nm FP Pigtail	< 1mW	1.25Mbps	FC/PC	2	
ALD-03112	1310nm FP Pigtail	< 1mW	1.25Mbps	FC/APC	2	
ALD-03113	1310nm FP Pigtail	< 1mW	1.25Mbps	ST/PC	2	
ALD-03114	1310nm FP Pigtail	< 1mW	1.25Mbps	FC/PC	1	
ALD-03115	1310nm FP Pigtail	< 1mW	1.25Mbps	FC/APC	1	
ALD-03116	1310nm FP Pigtail	< 1mW	1.25Mbps	ST/PC	1	
ALD-03117	1310nm FP Pigtail	1.0-1.5mW	1.25Mbps	ST/PC	1	
ALD-03118	1310nm FP Pigtail	1.0-1.5mW	1.25Mbps	FC/APC	1	
ALD-03119	1310nm FP Pigtail	1.0-1.5mW	622Mbps	ST/PC	1	
ALD-03120	1310nm FP Pigtail	1.0-1.5mW	622Mbps	FC/APC	1	
ALD-03123	1310nm FP Pigtail	< 1mW	622Mbps	SC/APC	1	

No. 8, Jingwu Road
Ding Mao Development Zone
Zhenjiang 212009, China
Tel: (86)511-8885688(5088) Fax: (86)511-8889135
Email: sales@allrayinc.com, marketing@allrayinc.com