

DISCRIPTION

The MLD571 are low power CMOS LSI in TO-92 package, designed for the application of lamp and LED flash driver. It can be operated without any external components. Therefore it is very suitable for such applications as flash badge, gift card, flash ear-ring and other flash products.

FEATURE

C-MOS Metal-Gate Process.

Operating voltage : 1.2V - 4.5V

Built-in oscillator.

Flash rate = 1.2Hz Approximately.

1/8 Duty cycle output.

Minimum driving capability : 10mA at 3V

Minimum external component.

ABSOLUTE MAXIMUM RATINGS (Ta=25°C)

Supply Voltage

0 to 5V

Operating Temperature Range

0 to +70°C

Storage Temperature Range

-50 to +125°C

ELECTRICAL CHARACTERISTICS

PARAMETER	SYMBOL	MIN	TYP	MAX	UNIT	CONDITIONS
Operating voltage	VDD	1.2	3	4.5	V	-
Operating current	Iop	-	200	500	µA	VD=3V, No load
Output sink current	IoI	5	8	-	mA	VDD=1.5V, Vol=0.5V
		10	15	-	mA	VDD=3V, Vol=0.5V
Built-in frequency	fosc	-	32k	-	Hz	VDD=3V, Vol=0.5V



MICRO ELECTRONICS LTD.

美科有限公司

7/F, Enterprise Square Three, 39 Wang Chiu Road, Kowloon Bay, Kowloon, Hong Kong.

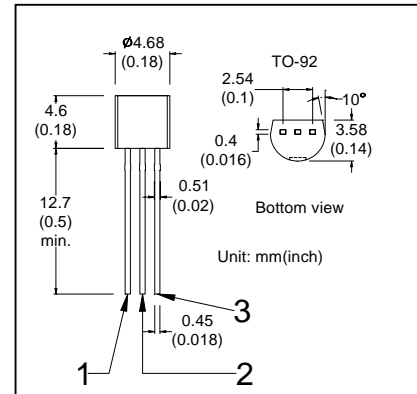
TEL: (852) 23430181 FAX: (852) 23410321

HOME PAGE: <http://www.microelectr.com.hk>

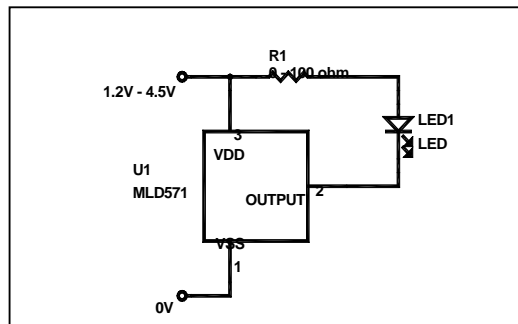
PIN ASSIGNMENT (TO-92)

PIN NO.

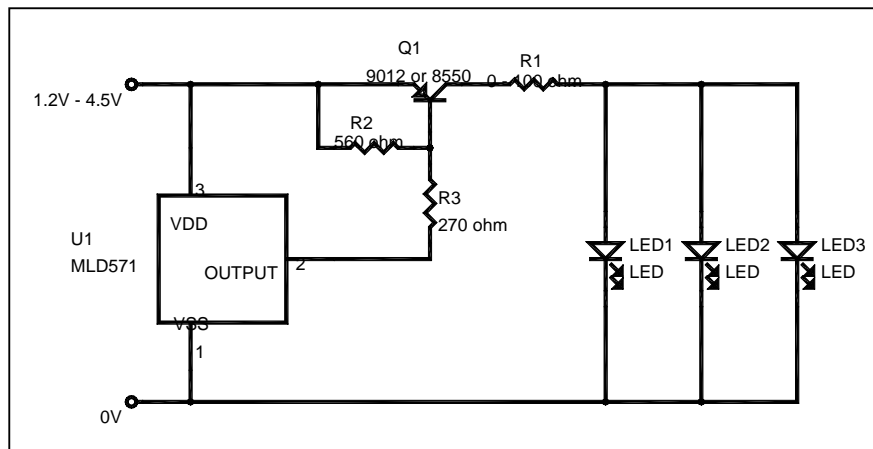
- 1 VSS (Negative power supply, GND.)
- 2 OUTPUT (lamp/LED flash output, N-MOS open drain.)
- 3 VDD (Positive power supply.)



Application circuit 1



Application circuit 2 (for reference only)



MICRO ELECTRONICS LTD.

美科有限公司

7/F, Enterprise Square Three, 39 Wang Chiu Road, Kowloon Bay, Kowloon, Hong Kong.
 TEL: (852) 23430181 FAX: (852) 23410321
 HOMEPAGE: <http://www.microelectr.com.hk>