

Distributor: **Electro-Stock** www.electrostock.com Tel: 630-682-1542 Fax: 630-682-1562

FEATURES:

- Switching capacity up to 30A
- Small size and light weight
- Dual relay available
- Suitable for automobile and lamp accessories
- QS-9000, ISO-9002 Certified Manufacturing



15.5 x 12.5(25.5) x 13.7 mm

CONTACT DATA

Contact Arrangement	1C = SPDT 1U = SPST N.O. 2C = (2) SPDT 2U = (2) SPST N.O.
Contact Rating	10A @ 14VDC
Contact Resistance	< 50 milliohms initial
Contact Material	AgSnO ₂
Maximum Switching Power	150W
Maximum Switching Voltage	20VDC
Maximum Switching Current	30A

COIL DATA

Coil Voltage VDC		Coil Resistance $\Omega \pm 10\%$	Pick Up Voltage VDC (max) 75% of rated voltage	Release Voltage VDC (min) 10% of rated voltage	Coil Power W	Operate Time ms	Release Time ms
Rated	Max.						
12	15.6	210	9.0	1.2	.70	10	7

CAUTION:

1. The use of any coil voltage less than the rated coil voltage may compromise the operation of the relay.
2. Pickup and release voltages are for test purposes only and are not to be used as design criteria.

GENERAL DATA

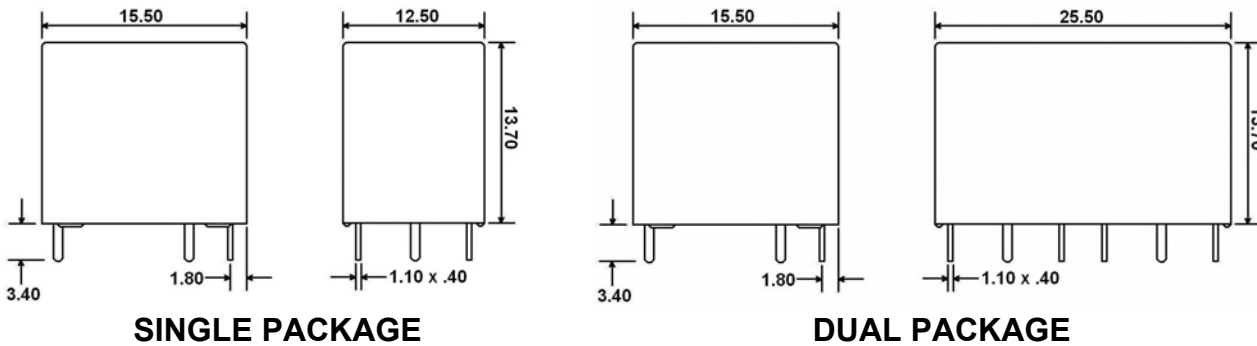
Electrical Life @ rated load	100K cycles, typical
Mechanical Life	10M cycles, typical
Insulation Resistance	100M Ω min @ 500VDC
Dielectric Strength, Coil to Contact	500V rms min. @ sea level
Contact to Contact	500V rms min. @ sea level
Shock Resistance	100m/s ² for 11ms
Vibration Resistance	1.27mm double amplitude 10-40Hz
Terminal (Copper Alloy) Strength	10N (Quick Connect), 4N (PCB Pins)
Operating Temperature	-40 °C to + 85 °C
Storage Temperature	-40 °C to + 155 °C
Solderability	230 °C \pm 2 °C for 10 \pm 0.5s
Weight	5.5g, 11g

Distributor: [Electro-Stock www.electrostock.com](http://www.electrostock.com) Tel: 630-682-1542 Fax: 630-682-1562

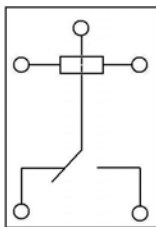
ORDERING INFORMATION

1. Series:	CTA15	1A	S	Q
CTA15				
2. Contact Arrangement:				
1C = SPDT				
1U = SPST N.O.				
2C = DPDT				
2U = DPST N.O.				
3. Sealing Options:				
S = Sealed				
C = Dust Cover				
4. Coil Voltage:				
12VDC				

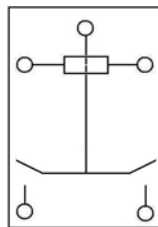
DIMENSIONS (Units = mm)



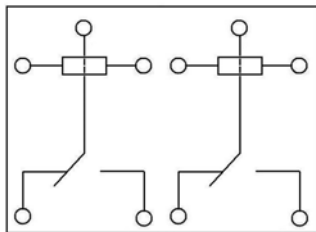
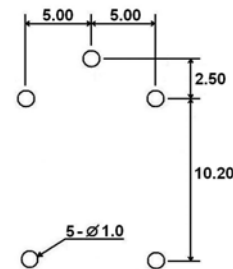
SCHEMATICS & PC LAYOUTS (BOTTOM VIEWS)



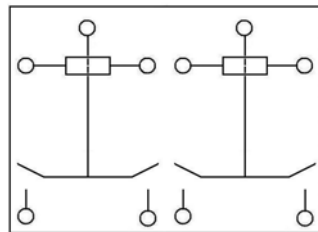
1C



1U



2C



2U

