



ISDN S₀ Miniature SMD Interface Modules

Features

- excellent output characteristics ensures compliance with CCITT.I.430 pulse waveform template when used with recommended IC pairing
- SMD modules are designed for pick and place compatibility
- excellent and consistent balance between windings
- manufactured in ISO-9001:2000, TS-16949:2002 and ISO-14001:2004 certified Talema facility
- meets lead free reflow level J-STD-020C
- fully RoHS compliant
- operating temperature: -40° to +85°C
- storage temperature: -40° to +125°C



Electrical Specifications @ 25°C

Turns Ratio: **Bold** = IC side windings

Miniature Chip SMD Modules comply with EN60950, UL1950 and UL1459

Part Number	L _P (mH Min)	Turns Ratio	L _L (μH Max)	C _C (pF Max)	R _{CU} P (Ohms)	R _{CU} S (Ohms)	Quad Choke (per winding)		V _P (Vrms)	Schematic
							R _{CU} (Ohms)	L		
MMJ-100B-501	25	1:1:1:1	5	50	2.6	2.7	0.30	500μH	1500	B

Test Conditions:

Polarity and Turns Ratio: ±1%

Inductance: 25mH minimum, line side windings in series @ 10kHz, 100mV

Leakage Inductance: Line side windings in series, IC side windings short circuited - measurement @ 100kHz, 100mV

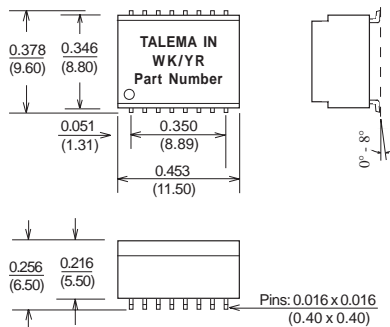
Coupling capacitance: IC side windings in series to Line side windings in series @ 10kHz, 100mV

Common Mode Choke Inductance: 100kHz, 20mV

Test Voltage: 1.5kV for 2 Sec. - Line side windings in series to IC side windings in series

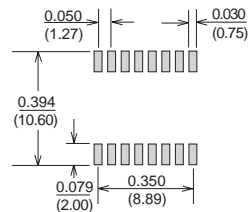
Standard Packaging: Tape and Reel

MMJ Miniature Module

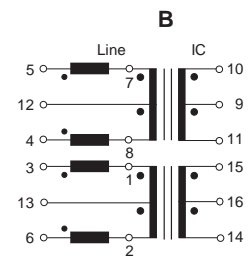


Surface Coplanarity will be 0.004 (0.10)

Suggested Pad Layout



Schematic



Dimensions: Inches (Millimeters)

Tolerance: ±0.010 (0.25) unless specified otherwise

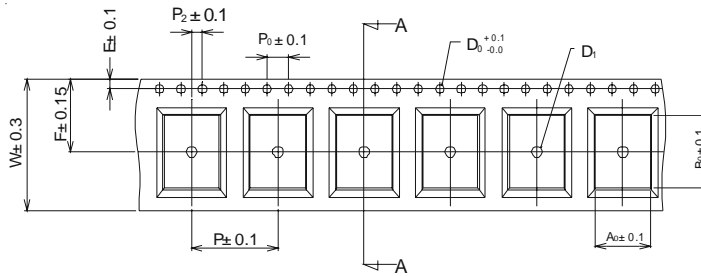
THE TALEMA GROUP • Magnetic Components for ISDN / xDSL / LAN Data Communications

(08-06) Communications\ISDN\MMJ



Packing and Dimensions

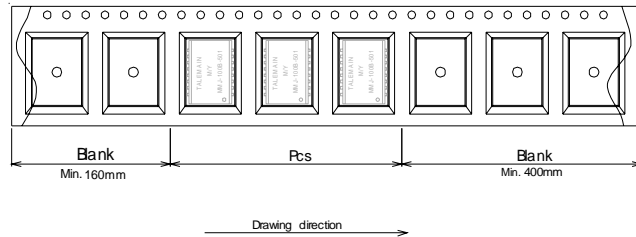
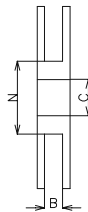
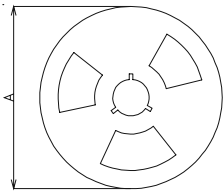
Dimensions for carrier tape (Unit : mm)



Dimensions are in mm

Type	Dimensions in mm												Reel Size	Quantity (Pcs/Reel)	Quantity (Reel/Cased)
	W	F	E	P ₂	P ₀	D ₀	D ₁	P	A ₀	B ₀	T	K ₀			
MMJ	24.00	11.50	1.75	2.00	4.00	Ø1.5	Ø1.50	16.00	10.20	12.05	0.35	7.05	330x24	600	5/3000

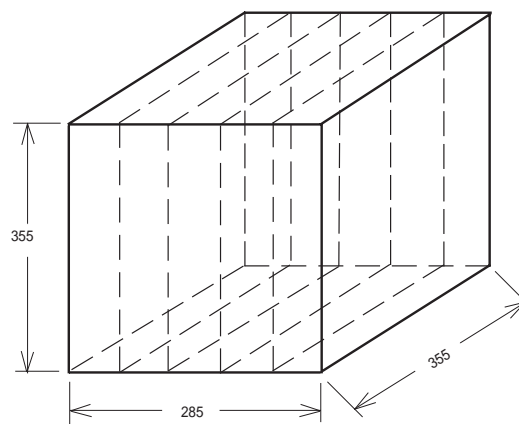
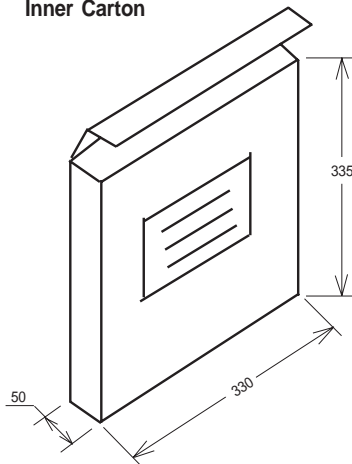
Reel dimensions



Reel Dimensions in mm				
Type	A	B	C	N
330 x 24	330	24	20.2	100

Outer Carton

Inner Carton



Germany: Int.+4989-841 00-0 • Ireland: Int.+35 374 - 954 8666 • Czech Rep: Int.+420 377 - 338 351 • India: Int.+91 427 - 244 1325
<http://www.talema-nuvotem.com>