

MICRO ELECTRONICS

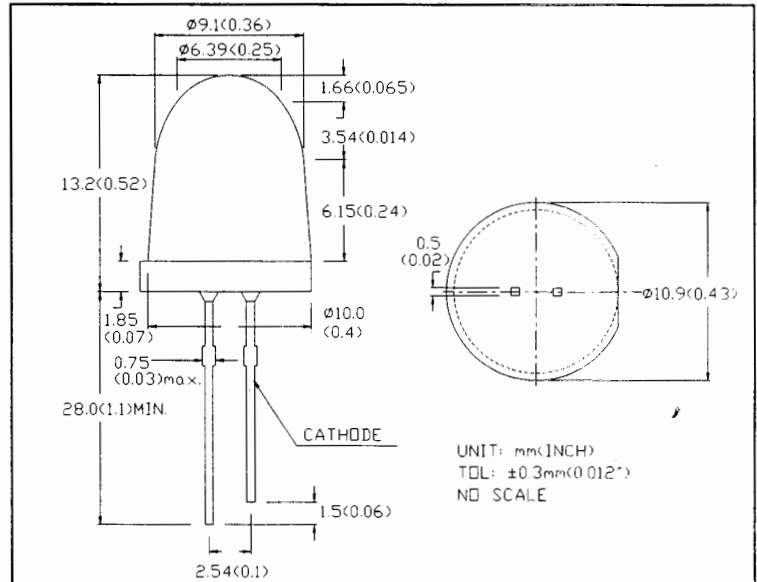
MSB559TA-5

**Φ 10mm
ULTRA HIGH
BRIGHTNESS
BLINKING LED LAMP**

DESCRIPTION

MSB559TA-5 is an ultra high brightness output GaAlAs red LED lamp with a 10mm diameter clear transparent lens.

The built-in IC flashes the lamp on/off and can be driven directly by standard TTL or CMOS circuits, eliminating the need for external switching circuitry.



ABSOLUTE MAXIMUM RATINGS

Operating Temperature Range
Storage Temperature Range
Lead Soldering Temperature (1/16" from body)

-20 to +70°C
-20 to +85°C
260°C for 5 sec.

ELECTRO-OPTICAL CHARACTERISTICS (Ta=25°C)

PARAMETER	SYMBOL	MIN	TYP	MAX	UNIT	CONDITIONS
Luminous Intensity	IV	3000	4500		mcd	Vopr=3V DC
Operating Voltage	Vopr	2.5	3.0	4.5	V	
Peak Current(1/24 duty cycle)	ICM	10	35		mA	Vopr=3V DC
Dominant Wavelength	λ_d		660		nm	Vopr=3V DC
Pulse Rate		0.6	1.0	1.8	Hz	Vopr=3V DC
Viewing Angle	2θ 1/2		16		degree	Vopr=3V DC

CAUTION

Reverse voltage will damages the LED.



MICRO ELECTRONICS LTD.

38, Hung To Road, Microtron Building, Kwun Tong, Kowloon, Hong Kong.
Kwun Tong P.O. Box 69477 Hong Kong. Fax No. 2341 0321 Telex:43510 Micro Hx. Tel: 2343 0181-5

REV : B
28/7/2004