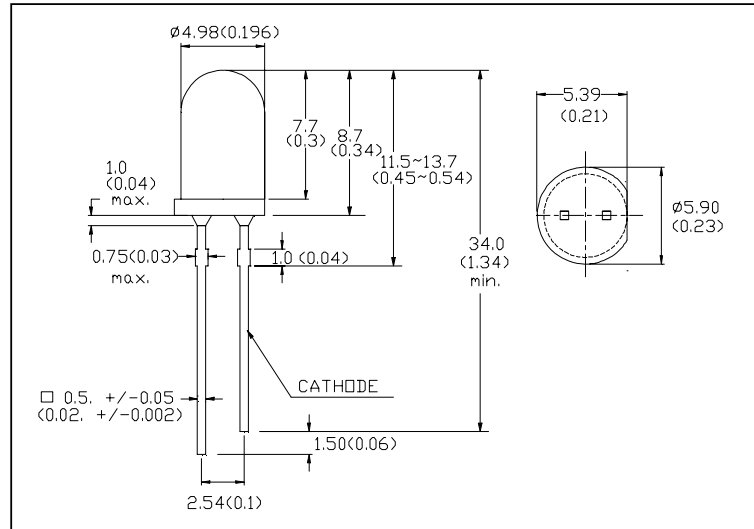


#### DESCRIPTION

MSB557TA-5 is a high brightness output GaAlAs red LED lamp with a 5mm diameter clear transparent lens . The built-in IC flashes the lamp on/off and can be driven directly by standard TTL or CMOS circuits , eliminating the need for external switching circuitry.



#### ABSOLUTE MAXIMUM RATINGS

Operating Temperature Range	-20 to +80°C
Storage Temperature Range	-30 to +100°C
Lead Soldering Temperature (1/16" from body)	260°C for 5 sec.

#### ELECTRO-OPTICAL CHARACTERISTICS (Ta=25°C)

PARAMETER	SYMBOL	MIN	TYP	MAX	UNIT	CONDITIONS
Luminous Intensity	IV	2600	3800		mcd	Vopr=3V DC
Operating Voltage	Vopr	2.5	3.0	3.8	V	
Peak Current(1/12 duty cycle)	ICM	10	35		mA	Vopr=3V DC
Dominant Wavelength	$\lambda_p$		660		nm	Vopr=3V DC
Flashing Rate		0.6	1.0	1.8	Hz	Vopr=3V DC
Viewing Angle	2θ 1/2		20		degree	Vopr=3V DC

#### CAUTION

\*Reverse voltage will damages the LED .

\*Static eletricity and surge damages the LED ,It is recommended to use a wrist band or anti-eletrostatic glove when handling the LED . All devices,equipment and machinery must be properly grounded.

