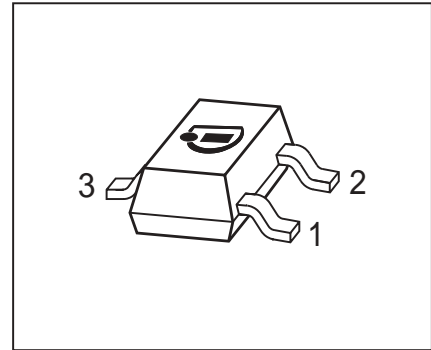


PNP Silicon AF Transistors

- For general AF applications
- High current gain
- Low collector-emitter saturation voltage
- Complementary types: BCW66... (NPN)
- Pb-free (RoHS compliant) package¹⁾
- Qualified according AEC Q101



Type	Marking	Pin Configuration			Package
		1=B	2=E	3=C	
BCW67A	DAs	1=B	2=E	3=C	SOT23
BCW67B	DBs	1=B	2=E	3=C	SOT23
BCW67C	DCs	1=B	2=E	3=C	SOT23
BCW68F	DFs	1=B	2=E	3=C	SOT23
BCW68G	DGs	1=B	2=E	3=C	SOT23
BCW68H	DHs	1=B	2=E	3=C	SOT23

¹Pb-containing package may be available upon special request

Maximum Ratings

Parameter	Symbol	Value	Unit
Collector-emitter voltage	V_{CEO}		V
BCW67		32	
BCW68		45	
Collector-base voltage	V_{CBO}		
BCW67		45	
BCW68		60	
Emitter-base voltage	V_{EBO}	5	
Collector current	I_C	800	mA
Peak collector current	I_{CM}	1	A
Base current	I_B	100	mA
Peak base current	I_{BM}	200	
Total power dissipation, $T_S \leq 79^\circ\text{C}$	P_{tot}	330	mW
Junction temperature	T_j	150	$^\circ\text{C}$
Storage temperature	T_{stg}	-65 ... 150	

Thermal Resistance

Parameter	Symbol	Value	Unit
Junction - soldering point ¹⁾	R_{thJS}	≤ 215	K/W

¹⁾For calculation of R_{thJA} please refer to Application Note Thermal Resistance

Electrical Characteristics at $T_A = 25^\circ\text{C}$, unless otherwise specified

Parameter	Symbol	Values			Unit
		min.	typ.	max.	
DC Characteristics					
Collector-emitter breakdown voltage $I_C = 10\text{ mA}$, $I_B = 0$, BCW67 $I_C = 10\text{ mA}$, $I_B = 0$, BCW68	$V_{(BR)CEO}$	32 45	- -	- -	V
Collector-base breakdown voltage $I_C = 10\text{ }\mu\text{A}$, $I_E = 0$, BCW67 $I_C = 10\text{ }\mu\text{A}$, $I_E = 0$, BCW68	$V_{(BR)CBO}$	45 60	- -	- -	
Emitter-base breakdown voltage $I_E = 10\text{ }\mu\text{A}$, $I_C = 0$	$V_{(BR)EBO}$	5	-	-	
Collector-base cutoff current $V_{CB} = 32\text{ V}$, $I_E = 0$ $V_{CB} = 45\text{ V}$, $I_E = 0$ $V_{CB} = 32\text{ V}$, $I_E = 0$, $T_A = 150^\circ\text{C}$; BCW67 $V_{CB} = 45\text{ V}$, $I_E = 0$, $T_A = 150^\circ\text{C}$; BCW68	I_{CBO}	- - - -	- - - -	0.02 0.02 20 20	μA
Emitter-base cutoff current $V_{EB} = 4\text{ V}$, $I_C = 0$	I_{EBO}	-	-	20	nA
DC current gain ¹⁾ $I_C = 100\text{ }\mu\text{A}$, $V_{CE} = 10\text{ V}$, h_{FE} -grp.A/F $I_C = 100\text{ }\mu\text{A}$, $V_{CE} = 10\text{ V}$, h_{FE} -grp.B/G $I_C = 100\text{ }\mu\text{A}$, $V_{CE} = 10\text{ V}$, h_{FE} -grp.C/H $I_C = 10\text{ mA}$, $V_{CE} = 1\text{ V}$, h_{FE} -grp.A/F $I_C = 10\text{ mA}$, $V_{CE} = 1\text{ V}$, h_{FE} -grp.B/G $I_C = 10\text{ mA}$, $V_{CE} = 1\text{ V}$, h_{FE} -grp.C/H $I_C = 100\text{ mA}$, $V_{CE} = 1\text{ V}$, h_{FE} -grp.A/F $I_C = 100\text{ mA}$, $V_{CE} = 1\text{ V}$, h_{FE} -grp.B/G $I_C = 100\text{ mA}$, $V_{CE} = 1\text{ V}$, h_{FE} -grp.C/H $I_C = 500\text{ mA}$, $V_{CE} = 2\text{ V}$, h_{FE} -grp.A/F $I_C = 500\text{ mA}$, $V_{CE} = 2\text{ V}$, h_{FE} -grp.B/G $I_C = 500\text{ mA}$, $V_{CE} = 2\text{ V}$, h_{FE} -grp.C/H	h_{FE}	35 50 80 75 120 180 100 160 250 35 60 100	- - - - - - 160 250 350 - - -	- - - - - - 250 400 630 - - -	-

DC Electrical Characteristics

Parameter	Symbol	Values			Unit
		min.	typ.	max.	
Characteristics					
Collector-emitter saturation voltage ¹⁾ $I_C = 100 \text{ mA}, I_B = 10 \text{ mA}$ $I_C = 500 \text{ mA}, I_B = 50 \text{ mA}$	V_{CEsat}	-	-	0.3 0.7	V
Base emitter saturation voltage ¹⁾ $I_C = 100 \text{ mA}, I_B = 10 \text{ mA}$ $I_C = 500 \text{ mA}, I_B = 50 \text{ mA}$	V_{BEsat}	-	-	1.25 2	

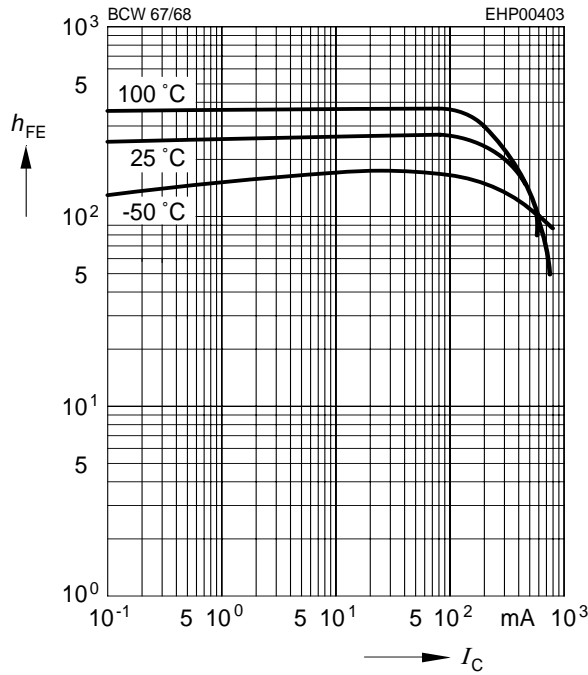
AC Characteristics

Transition frequency $I_C = 50 \text{ mA}, V_{CE} = 5 \text{ V}, f = 20 \text{ MHz}$	f_T	-	200	-	MHz
Collector-base capacitance $V_{CB} = 10 \text{ V}, f = 1 \text{ MHz}$	C_{cb}	-	6	-	pF
Emitter-base capacitance $V_{EB} = 0.5 \text{ V}, f = 1 \text{ MHz}$	C_{eb}	-	60	-	

¹Pulse test: $t < 300\mu\text{s}; D < 2\%$

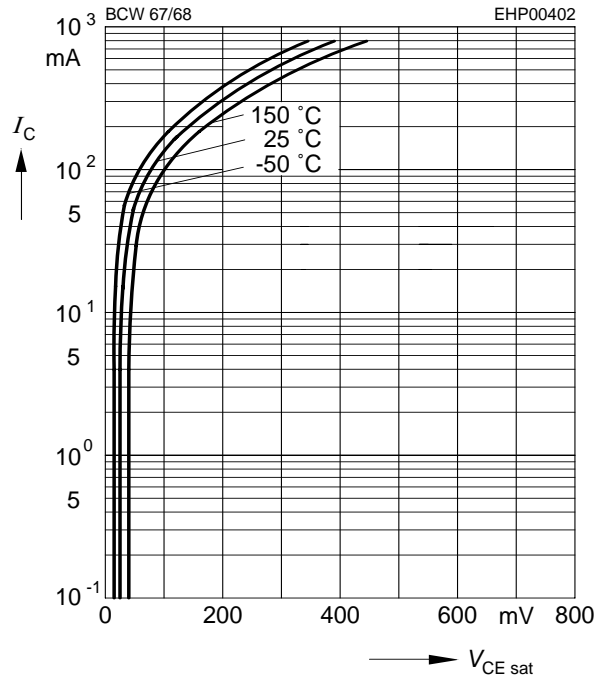
DC current gain $h_{FE} = f(I_C)$

$V_{CE} = 1\text{ V}$



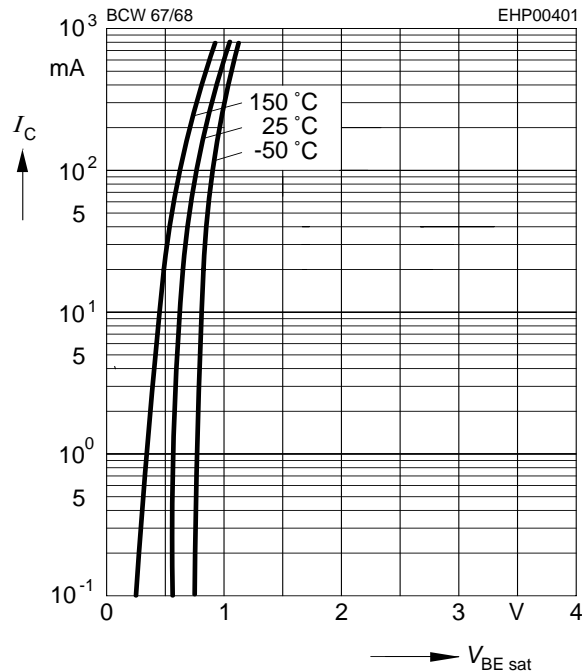
Collector-emitter saturation voltage

$I_C = f(V_{CEsat}), h_{FE} = 10$



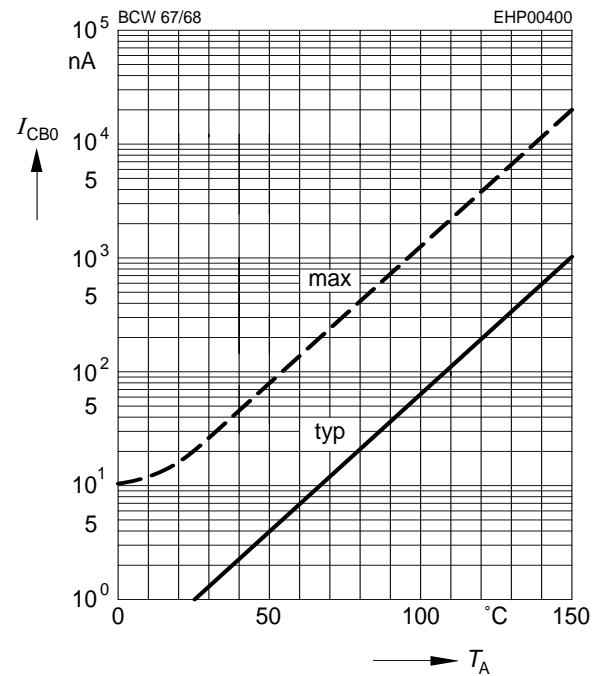
Base-emitter saturation voltage

$I_C = f(V_{BEsat}), h_{FE} = 10$



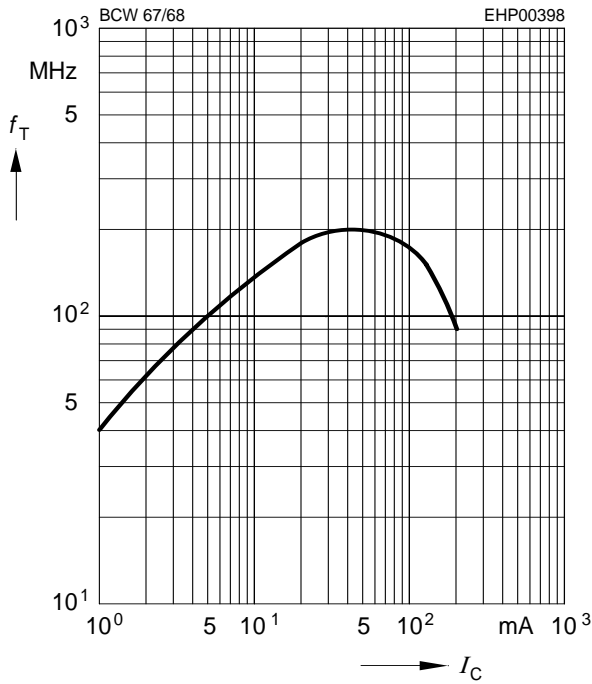
Collector cutoff current $I_{CBO} = f(T_A)$

$V_{CBO} = 25\text{ V}$



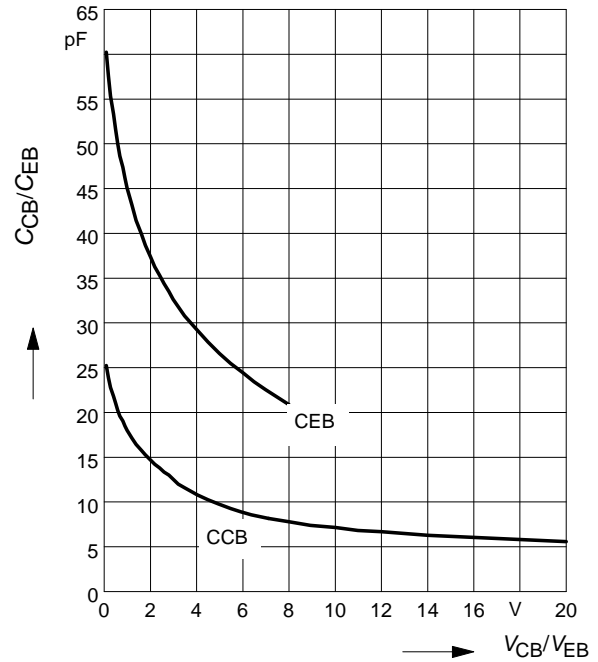
Transition frequency $f_T = f(I_C)$

$V_{CE} = 5\text{ V}$

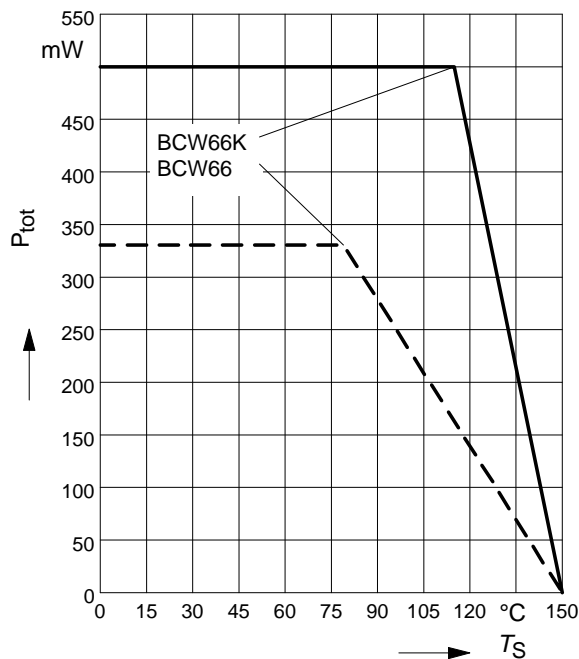


Collector-base capacitance $C_{cb} = f(V_{CB})$

Emitter-base capacitance $C_{eb} = f(V_{EB})$

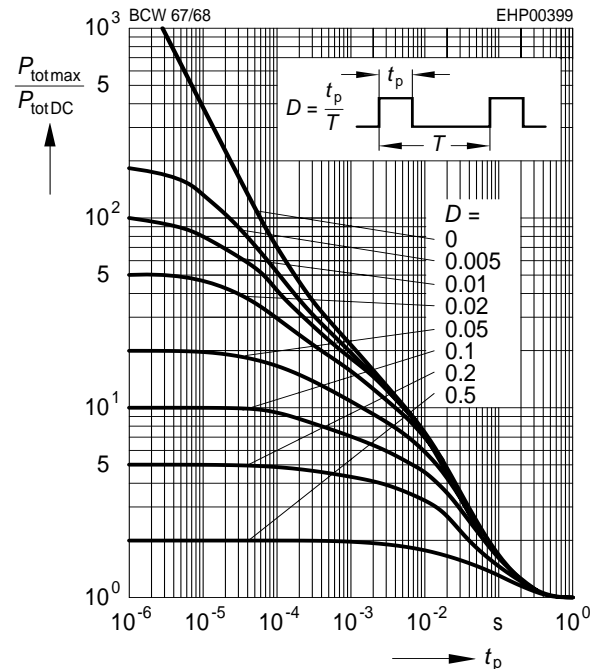


Total power dissipation $P_{tot} = f(T_S)$

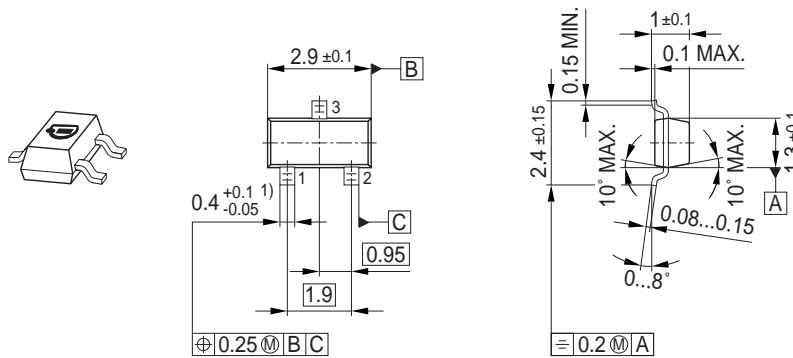


Permissible Pulse Load

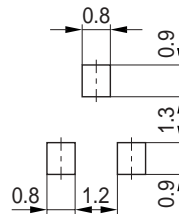
$P_{totmax}/P_{totDC} = f(t_p)$



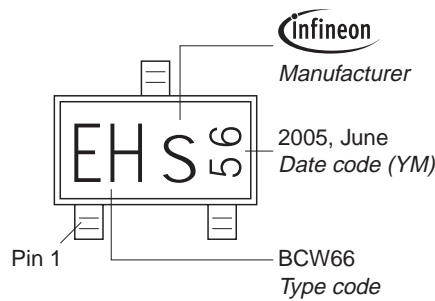
Package Outline



Foot Print

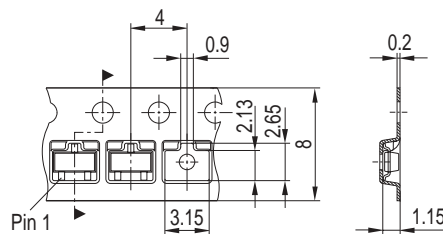


Marking Layout (Example)



Standard Packing

Reel ø180 mm = 3.000 Pieces/Reel
 Reel ø330 mm = 10.000 Pieces/Reel



Edition 2006-02-01
Published by
Infineon Technologies AG
81726 München, Germany
© Infineon Technologies AG 2007.
All Rights Reserved.

Attention please!

The information given in this document shall in no event be regarded as a guarantee of conditions or characteristics ("Beschaffenheitsgarantie"). With respect to any examples or hints given herein, any typical values stated herein and/or any information regarding the application of the device, Infineon Technologies hereby disclaims any and all warranties and liabilities of any kind, including without limitation warranties of non-infringement of intellectual property rights of any third party.

Information

For further information on technology, delivery terms and conditions and prices please contact your nearest Infineon Technologies Office (www.infineon.com).

Warnings

Due to technical requirements components may contain dangerous substances. For information on the types in question please contact your nearest Infineon Technologies Office.

Infineon Technologies Components may only be used in life-support devices or systems with the express written approval of Infineon Technologies, if a failure of such components can reasonably be expected to cause the failure of that life-support device or system, or to affect the safety or effectiveness of that device or system.

Life support devices or systems are intended to be implanted in the human body, or to support and/or maintain and sustain and/or protect human life. If they fail, it is reasonable to assume that the health of the user or other persons may be endangered.