

Structure Silicon Monolithic Integrated Circuit

Product Name Flash LED Driver for mobile phone with camera

Type **BD7700GU**

Features Flash(300mA max.)/Torch(60mA max.)/Indicate(1mA max.) available for camera.
 Built-in 3ch high side current driver
 Automatically transition mode(x1.0, x1.5,x2.0) charge pump type DC/DC converter

○Absolute Maximum Ratings (Ta= 25 °C)

| Parameter | Symbol | Rating | Unit | Condition |
|-----------------------------|--------|--------------------|------|-----------|
| Maximum applied voltage | VMAX | 7.0 | V | |
| Input voltage | Vdin | GND-0.3 ~ VBAT+0.3 | V | |
| Power dissipation | Pd | 1062.5 | mW | Note1 |
| Operating temperature range | Topr | -30 ~ +85 | °C | |
| Storage temperature range | Tstg | -55 ~ +150 | °C | |

(Note1) The measurement value which was mounted on the PCB by ROHM.

(50mm x 58mm x 1.75mm glass epoxy Board)

Temperature delecting : 8.5 mW/°C from Ta>25°C

○Operating conditions (Ta= -30 ~ 85 °C)

| Parameter | Symbol | Rating | | | Unit | Condition |
|------------------------------|--------|--------|------|------|------|-----------|
| | | Min. | Typ. | Max. | | |
| Battery Power Supply voltage | VBAT | 2.7 | 3.6 | 5.5 | V | |

This product isn't designed to protect itself against radioactive rays.

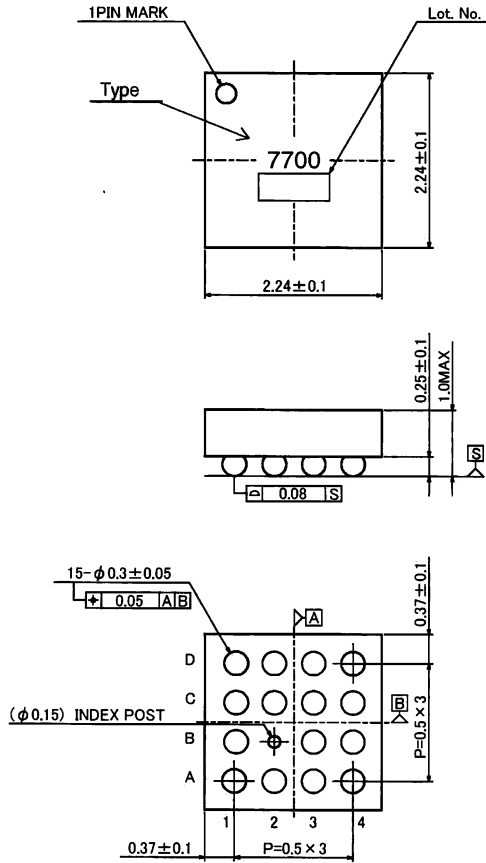
○Electrical Characteristics

(Unless otherwise noted, Ta = 25°C, VBAT=3.6V)

| Parameter | Symbol | Rating | | | Units | Condition |
|---------------------------|--------|--------|------|------|-------|--|
| | | Min. | Typ. | Max. | | |
| Logic control terminal | | | | | | |
| Low threshold voltage | VthL | - | - | 0.4 | V | CNT0 and CNT1 port |
| High threshold voltage | VthH | 1.2 | - | VBAT | V | CNT0 and CNT1 port |
| High level Input current | linH | - | 18.3 | 33 | μA | CNT0 or CNT1 = 5.5V, VBAT=5.5V |
| Low level Input current | linL | -1 | 0 | - | μA | CNT0 or CNT1 = 0V |
| DC/DC Converter | | | | | | |
| Quiescent Current | Iq | - | 0.1 | 1.0 | μA | CNT0 and CNT1 = '0' |
| Flash Current Accuracy | Iflash | -15 | 0 | 15 | % | at 100mA (LED1=3V, LED2,3=2.5V, or LED2=3V, LED1,3=2.5V, or LED3=3V, LED1,2=2.5V) |
| Torch Current Accuracy | Itorch | -15 | 0 | 15 | % | at 20mA (LED1=3V, LED2,3=2.5V, or LED2=3V, LED1,3=2.5V, or LED3=3V, LED1,2=2.5V) |
| Indicate Current Accuracy | Iind | -30 | 0 | 30 | % | at 1mA, LED2 Terminal(Note2) |
| Current Consumption 1 | Idd1 | - | 1.0 | 2.0 | mA | x1.0 mode, LED current = 0mA, VLED=3.0V |
| Current Consumption 2 | Idd2 | - | 6.0 | 9.0 | mA | x1.5 mode, LED current = 0mA, VLED=4.0V |
| Current Consumption 3 | Idd3 | - | 9.0 | 12.0 | mA | x2.0 mode, LED current = 0mA, VBAT=3.0V, VLED=5.0V |
| ISET Voltage | Viset | 0.5 | 0.6 | 0.7 | V | RSET= 120kohm |
| Switching frequency | fsw | 1.0 | 1.25 | 1.5 | MHz | |
| Sat Voltage | Vsat | 150 | 250 | 350 | mV | Vsat=(VOUT-Max.LED Voltage) (LED2=3V, LED1,3=2.5V) |
| Over voltage protection | Vovp | 5.5 | - | - | V | |
| Under voltage lock-out | Vuvlo | 1.8 | 2.0 | 2.2 | V | VBAT falling edge |
| Start up time | Tstart | - | - | 3 | ms | Stand by → Torch,Flash,Indicate (Iflash, Itorch =±15%, Iind =±30%) |

(Note2) Indicate mode is able to use LED2 Terminal only.

External dimensions

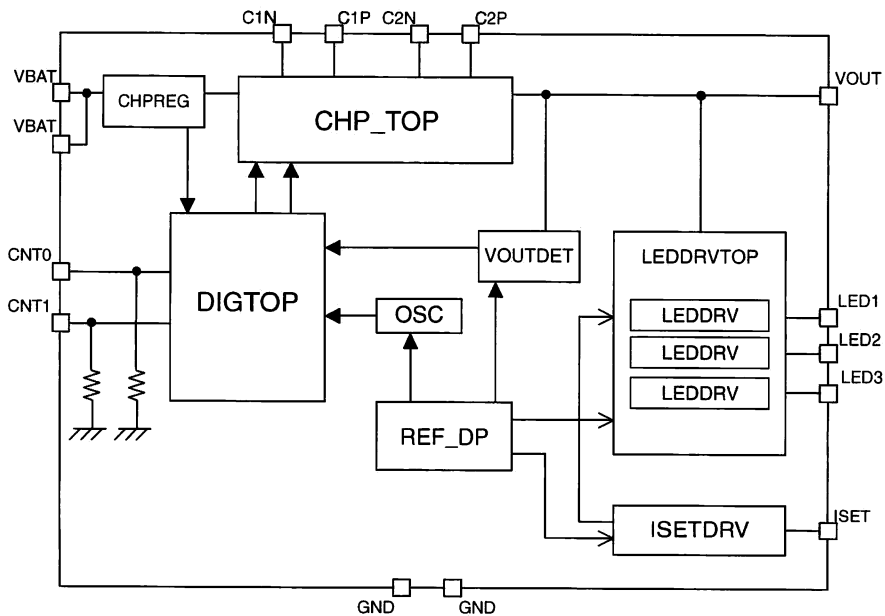


VCSP85H2 (15pin) (Unit : mm)

Terminals

| PIN | PIN Name | PIN | PIN Name |
|-----|----------|-----|----------|
| C4 | VBAT | B1 | ISET |
| A2 | VBAT | D4 | C1P |
| C2 | CNT0 | D1 | C1N |
| C3 | CNT1 | D3 | C2P |
| B4 | VOUT | D2 | C2N |
| A4 | LED1 | C1 | GND |
| A3 | LED2 | A1 | GND |
| B3 | LED3 | | |

Block diagram



○Cautions on use

(1) Absolute Maximum Ratings

An excess in the absolute maximum ratings, such as supply voltage, temperature range of operating conditions, etc., can break down devices, thus making impossible to identify breaking mode such as a short circuit or an open circuit. If any special mode exceeding the absolute maximum ratings is assumed, consideration should be given to take physical safety measures including the use of fuses, etc.

(2) Power supply and GND line

Design PCB pattern to provide low impedance for the wiring between the power supply and the GND lines. Pay attention to the interference by common impedance of layout pattern when there are plural power supplies and GND lines. Especially, when there are GND pattern for small signal and GND pattern for large current included the external circuits, please separate each GND pattern. Furthermore, for all power supply terminals to ICs, mount a capacitor between the power supply and the GND terminal. At the same time, in order to use a capacitor, thoroughly check to be sure the characteristics of the capacitor to be used present no problem including the occurrence of capacity dropout at a low temperature, thus determining the constant.

(3) GND voltage

Make setting of the potential of the GND terminal so that it will be maintained at the minimum in any operating state. Furthermore, check to be sure no terminals are at a potential lower than the GND voltage including an actual electric transient.

(4) Short circuit between terminals and erroneous mounting

In order to mount ICs on a set PCB, pay thorough attention to the direction and offset of the ICs. Erroneous mounting can break down the ICs. Furthermore, if a short circuit occurs due to foreign matters entering between terminals or between the terminal and the power supply or the GND terminal, the ICs can break down.

(5) Operation in strong electromagnetic field

Be noted that using ICs in the strong electromagnetic field can malfunction them.

(6) Input terminals

In terms of the construction of IC, parasitic elements are inevitably formed in relation to potential. The operation of the parasitic element can cause interference with circuit operation, thus resulting in a malfunction and then breakdown of the input terminal. Therefore, pay thorough attention not to handle the input terminals, such as to apply to the input terminals a voltage lower than the GND respectively, so that any parasitic element will operate. Furthermore, do not apply a voltage to the input terminals when no power supply voltage is applied to the IC. In addition, even if the power supply voltage is applied, apply to the input terminals a voltage lower than the power supply voltage or within the guaranteed value of electrical characteristics.

(7) External capacitor

In order to use a ceramic capacitor as the external capacitor, determine the constant with consideration given to a degradation in the nominal capacitance due to DC bias and changes in the capacitance due to temperature, etc.

(8) Thermal shutdown circuit (TSD)

This LSI builds in a thermal shutdown (TSD) circuit. When junction temperatures become detection temperature or higher, the thermal shutdown circuit operates and turns a switch OFF. The thermal shutdown circuit, which is aimed at isolating the LSI from thermal runaway as much as possible, is not aimed at the protection or guarantee of the LSI. Therefore, do not continuously use the LSI with this circuit operating or use the LSI assuming its operation.

(9) Thermal design

Perform thermal design in which there are adequate margins by taking into account the permissible dissipation (Pd) in actual states of use.

(10) Other cautions on use

Please consult supplementary documents such as technical notebook, function manual and application design guide of this LSI.

Notes

- No technical content pages of this document may be reproduced in any form or transmitted by any means without prior permission of ROHM CO.,LTD.
- The contents described herein are subject to change without notice. The specifications for the product described in this document are for reference only. Upon actual use, therefore, please request that specifications to be separately delivered.
- Application circuit diagrams and circuit constants contained herein are shown as examples of standard use and operation. Please pay careful attention to the peripheral conditions when designing circuits and deciding upon circuit constants in the set.
- Any data, including, but not limited to application circuit diagrams information, described herein are intended only as illustrations of such devices and not as the specifications for such devices. ROHM CO.,LTD. disclaims any warranty that any use of such devices shall be free from infringement of any third party's intellectual property rights or other proprietary rights, and further, assumes no liability of whatsoever nature in the event of any such infringement, or arising from or connected with or related to the use of such devices.
- Upon the sale of any such devices, other than for buyer's right to use such devices itself, resell or otherwise dispose of the same, no express or implied right or license to practice or commercially exploit any intellectual property rights or other proprietary rights owned or controlled by
- ROHM CO., LTD. is granted to any such buyer.
- Products listed in this document are no antiradiation design.

The products listed in this document are designed to be used with ordinary electronic equipment or devices (such as audio visual equipment, office-automation equipment, communications devices, electrical appliances and electronic toys).

Should you intend to use these products with equipment or devices which require an extremely high level of reliability and the malfunction of which would directly endanger human life (such as medical instruments, transportation equipment, aerospace machinery, nuclear-reactor controllers, fuel controllers and other safety devices), please be sure to consult with our sales representative in advance.

It is our top priority to supply products with the utmost quality and reliability. However, there is always a chance of failure due to unexpected factors. Therefore, please take into account the derating characteristics and allow for sufficient safety features, such as extra margin, anti-flammability, and fail-safe measures when designing in order to prevent possible accidents that may result in bodily harm or fire caused by component failure. ROHM cannot be held responsible for any damages arising from the use of the products under conditions out of the range of the specifications or due to non-compliance with the NOTES specified in this catalog.

Thank you for your accessing to ROHM product informations.

More detail product informations and catalogs are available, please contact your nearest sales office.

ROHM Customer Support System

THE AMERICAS / EUROPE / ASIA / JAPAN

www.rohm.com

Contact us : webmaster@rohm.co.jp