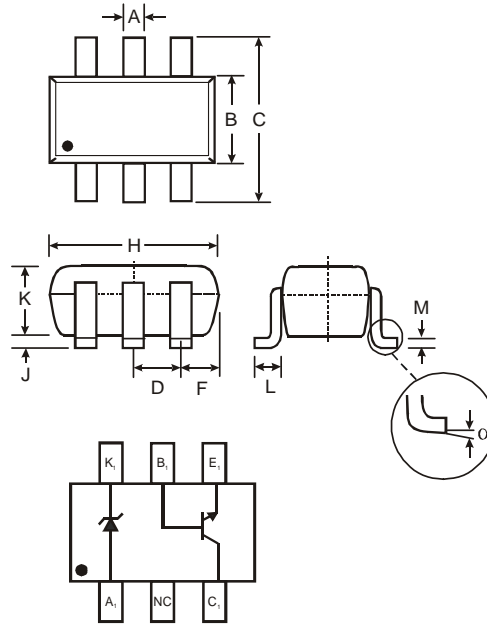


Features

- Epitaxial Planar Die Construction
- Selectively Paired NPN Transistors & Zener Diodes for Series Pass Voltage Regulator Circuits
- Ideally Suited for Automated Assembly Processes
- **Lead Free By Design/RoHS Compliant (Note 1)**
- **"Green" Device (Note 2)**

Mechanical Data

- Case: SOT-363
- Case Material: Molded Plastic. "Green" Molding Compound. UL Flammability Classification Rating 94V-0
- Moisture Sensitivity: Level 1 per J-STD-020C
- Terminals: Finish – Matte Tin annealed over Alloy 42 leadframe. Solderable per MIL-STD-202, Method 208
- Terminal Connections: See Diagram
- Marking & Type Code Information: See Page 5
- Ordering Information: See Page 5
- Weight: 0.008 grams (approximate)



SOT-363		
Dim	Min	Max
A	0.10	0.30
B	1.15	1.35
C	2.00	2.20
D	0.65 Nominal	
F	0.30	0.40
H	1.80	2.20
J	—	0.10
K	0.90	1.00
L	0.25	0.40
M	0.10	0.25
α	8°	
All Dimensions in mm		

Maximum Ratings, Total Device @T_A = 25°C unless otherwise specified

Characteristic	Symbol	Value	Unit
Power Dissipation (Note 3)	P _d	200	mW
Thermal Resistance, Junction to Ambient (Note 3)	R _{θJA}	625	°C/W
Operating and Storage and Temperature Range	T _j , T _{STG}	-55 to +150	°C

Maximum Ratings, NPN Transistor @T_A = 25°C unless otherwise specified

Characteristic	Symbol	Value	Unit
Collector-Base Voltage	V _{CB0}	45	V
Collector-Emitter Voltage	V _{CEO}	18	V
Emitter-Base Voltage	V _{EBO}	5	V
Collector Current - Continuous (Note 3)	I _C	1	A

Maximum Ratings, Zener Element @T_A = 25°C unless otherwise specified

Characteristic	Symbol	Value	Unit
Forward Voltage @ I _F = 10mA	V _F	0.9	V

- Notes:
1. No purposefully added lead.
 2. Diodes Inc's "Green" policy can be found on our website at http://www.diodes.com/products/lead_free/index.php.
 3. Part mounted on FR-4 board with recommended pad layout, which can be found on our website at <http://www.diodes.com/datasheets/ap02001.pdf>.

Electrical Characteristics, NPN Transistor @ $T_A = 25^\circ\text{C}$ unless otherwise specified

Characteristic	Symbol	Min	Max	Unit	Test Condition
OFF CHARACTERISTICS (Note 4)					
Collector-Base Breakdown Voltage	$V_{(BR)CBO}$	45	—	V	$I_C = 100\mu\text{A}, I_E = 0$
Collector-Emitter Breakdown Voltage	$V_{(BR)CEO}$	18	—	V	$I_C = 1\text{mA}, I_B = 0$
Emitter-Base Breakdown Voltage	$V_{(BR)EBO}$	5	—	V	$I_E = 100\mu\text{A}, I_C = 0$
Collector Cutoff Current	I_{CBO}	—	1	μA	$V_{CB} = 40\text{V}, I_E = 0$
Emitter Cutoff Current	I_{EBO}	—	1	μA	$V_{EB} = 4\text{V}, I_C = 0$
ON CHARACTERISTICS (Note 4)					
DC Current Gain	h_{FE}	150	800	—	$I_C = 100\text{mA}, V_{CE} = 1\text{V}$
Collector-Emitter Saturation Voltage	$V_{CE(SAT)}$	—	0.5	V	$I_C = 300\text{mA}, I_B = 30\text{mA}$
SMALL SIGNAL CHARACTERISTICS					
Output Capacitance	C_{obo}	—	8	pF	$V_{CB} = 10\text{V}, f = 1.0\text{MHz}, I_E = 0$
Current Gain-Bandwidth Product	f_T	100	—	MHz	$V_{CB} = 10\text{V}, I_E = 50\text{mA}, f = 100\text{MHz}$

Electrical Characteristics, Zener Element @ $T_A = 25^\circ\text{C}$ unless otherwise specified

Type Number	Zener Voltage Range (Note 5)				Maximum Reverse Leakage Current	
	$V_Z @ I_{ZT}$			I_{ZT}	$I_R @ V_R$	
	Nom (V)	Min (V)	Max (V)	mA	μA	V
DVR1V8W	3.3	3.1	3.5	5	5	1
DVR2V5W	3.9	3.7	4.1	5	3	1
DVR3V3W	4.7	4.4	5.0	5	3	2
DVR5V0W	5.1	4.85	5.36	0.05	5	3

- Notes:
- Short duration test pulse used to minimize self-heating effect.
 - Nominal Zener voltage is measured with the device junction in thermal equilibrium at $T_J = 30^\circ\text{C} \pm 1^\circ\text{C}$.

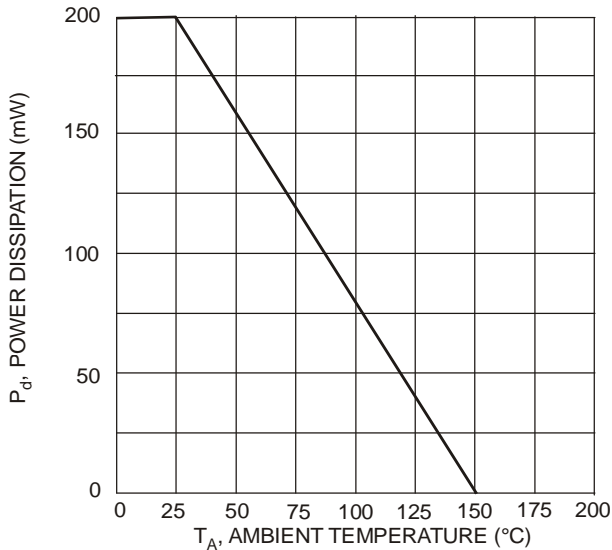


Fig. 1 Max Power Dissipation vs. Ambient Temperature (Total Device)

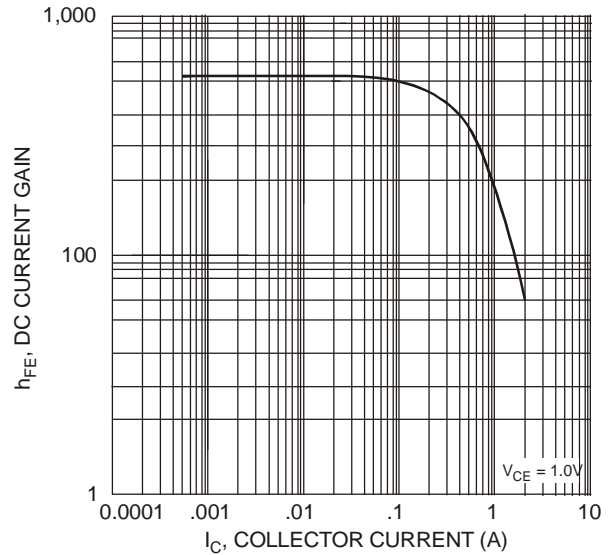


Fig. 2 Typical DC Current Gain vs. Collector Current (NPN Transistor)

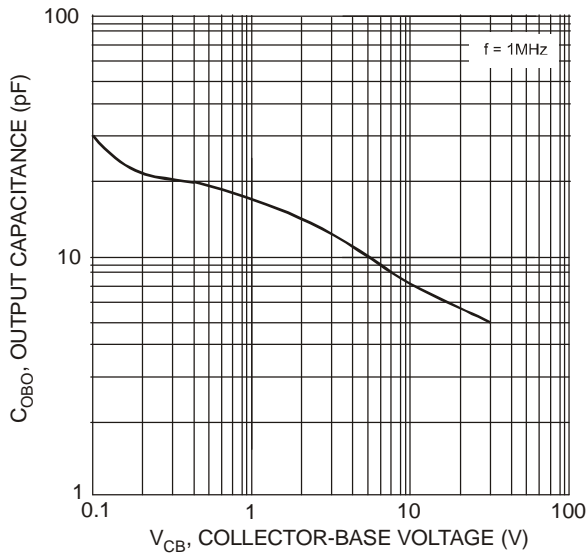


Fig. 3 Output Capacitance vs. Collector-Base Voltage (NPN Transistor)

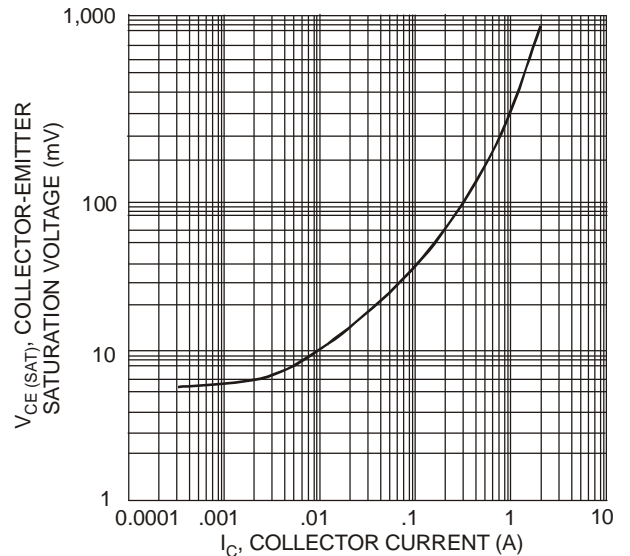


Fig. 4 Collector Saturation Voltage vs. Collector Current (NPN Transistor)

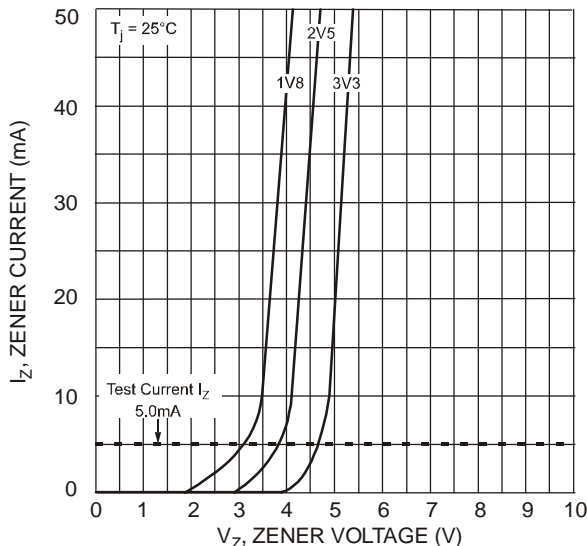


Fig. 5 Zener Breakdown Characteristics (DVR1V8W - DVR3V3W)

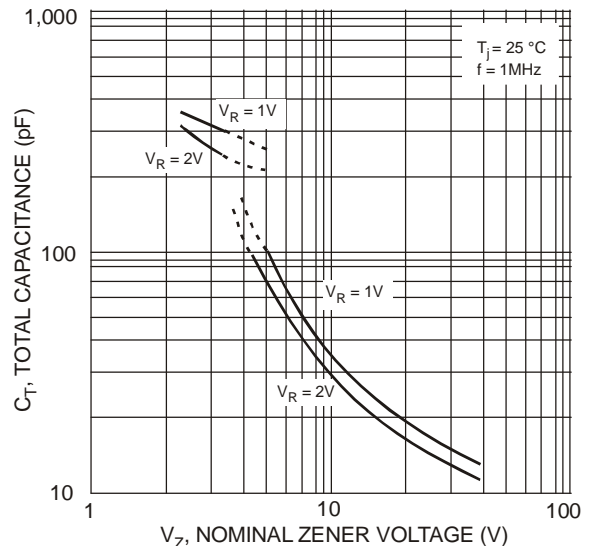


Fig. 6 Total Capacitance vs. Nominal Zener Voltage (DVR1V8W - DVR3V3W)

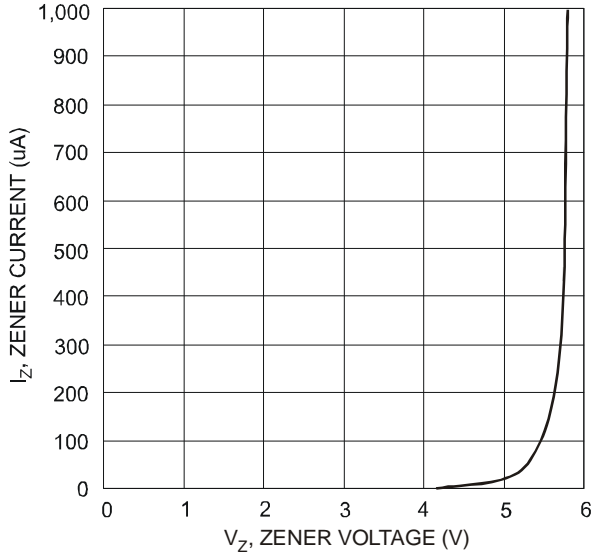


Fig. 7 Zener Breakdown Characteristics (DVR5V0W)

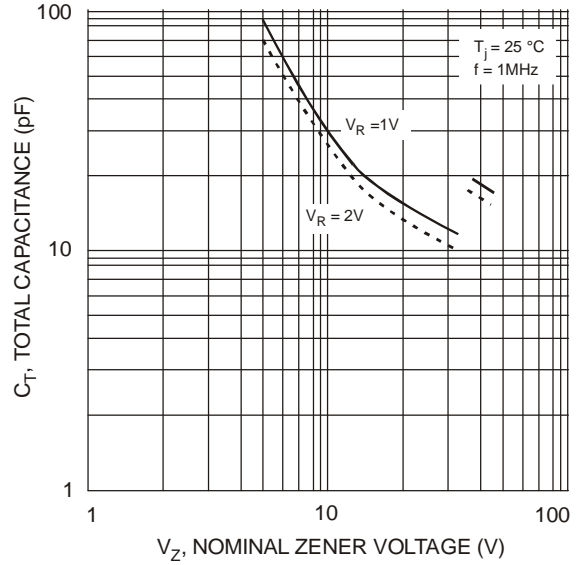


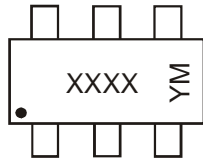
Fig. 8 Total Capacitance vs. Nominal Zener Voltage (DVR5V0W)

Ordering Information (Note 6)

Device	Packaging	Shipping
DVR1V8W-7	SOT-363	3000/Tape & Reel
DVR2V5W-7	SOT-363	3000/Tape & Reel
DVR3V3W-7	SOT-363	3000/Tape & Reel
DVR5V0W-7	SOT-363	3000/Tape & Reel

Notes: 6. For packaging details, go to our website at <http://www.diodes.com/datasheets/ap02007.pdf>.

Marking Information



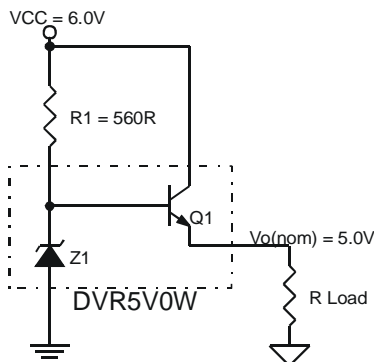
XXXX = Product Type Marking Code,
See Table Above, e.g., VR01 = DVR1V8W
YM = Date Code Marking
Y = Year ex: R = 2004
M = Month ex: 9 = September

Date Code Key

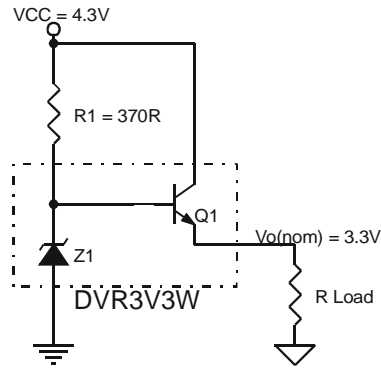
Year	2004	2005	2006	2007	2008	2009	2010	2011	2012
Code	R	S	T	U	V	W	X	Y	Z

Month	Jan	Feb	Mar	Apr	May	Jun	Jul	Aug	Sep	Oct	Nov	Dec
Code	1	2	3	4	5	6	7	8	9	O	N	D

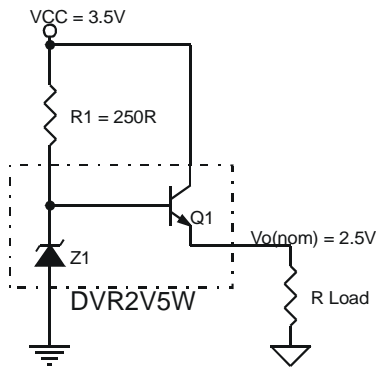
Sample Applications



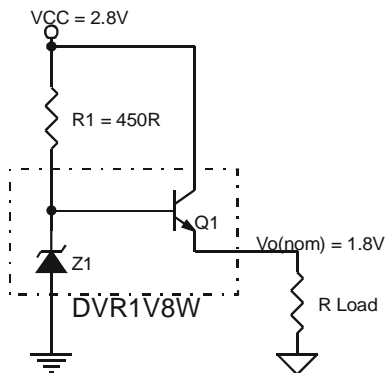
Sample Application for DVR5V0W:
 $VCC^9 = 6.0V$ $R1^7 = 560\Omega$
 $Vo(nom) = 5.0V$ $I_o = 100mA$
 $I_q(\text{typical}^8) = 0.5mA @ I_o = 0mA$
 $\text{Typical}^8 V_{reg}(\text{load}) = 0.2V \text{ from } I_o = 100mA \text{ to } 0mA$



Sample Application for DVR3V3W:
 $VCC^9 = 4.3V$ $R1^7 = 3700\Omega$
 $Vo(nom) = 3.3V$ $Io = 100mA$
 $Iq(\text{typical}^8) = 0.7mA @ Io = 0mA$
 $\text{Typical}^8 Vreg(\text{load}) = 0.21V$ from $Io = 100mA$ to $0mA$



Sample Application for DVR2V5W:
 $VCC^9 = 3.5V$ $R1^7 = 250\Omega$
 $Vo(nom) = 2.5V$ $Io = 100mA$
 $Iq(\text{typical}^8) = 0.91mA @ Io = 0mA$
 $\text{Typical}^8 Vreg(\text{load}) = 0.13V$ from $Io = 100mA$ to $0mA$



Sample Application for DVR1V8W:
 $VCC^9 = 2.8V$ $R1^7 = 450\Omega$
 $Vo(nom) = 1.8V$ $Io = 100mA$
 $Iq(\text{typical}^8) = 0.55mA @ Io = 0mA$
 $\text{Typical}^8 Vreg(\text{load}) = 0.25V$ from $Io = 100mA$ to $0mA$

- Notes:
7. Resistor R1 not included.
 8. Typical performance shown is under setup and operating conditions specified in the sample applications.
 9. Recommended $VCC(\text{min}) \sim Vo(\text{nom}) + 1V$.

IMPORTANT NOTICE

Diodes Incorporated and its subsidiaries reserve the right to make modifications, enhancements, improvements, corrections or other changes without further notice to any product herein. Diodes Incorporated does not assume any liability arising out of the application or use of any product described herein; neither does it convey any license under its patent rights, nor the rights of others. The user of products in such applications shall assume all risks of such use and will agree to hold Diodes Incorporated and all the companies whose products are represented on our website, harmless against all damages.

LIFE SUPPORT

Diodes Incorporated products are not authorized for use as critical components in life support devices or systems without the expressed written approval of the President of Diodes Incorporated.