

SCHOTTKY MEDIUM BARRIER DIODE

DESCRIPTION:

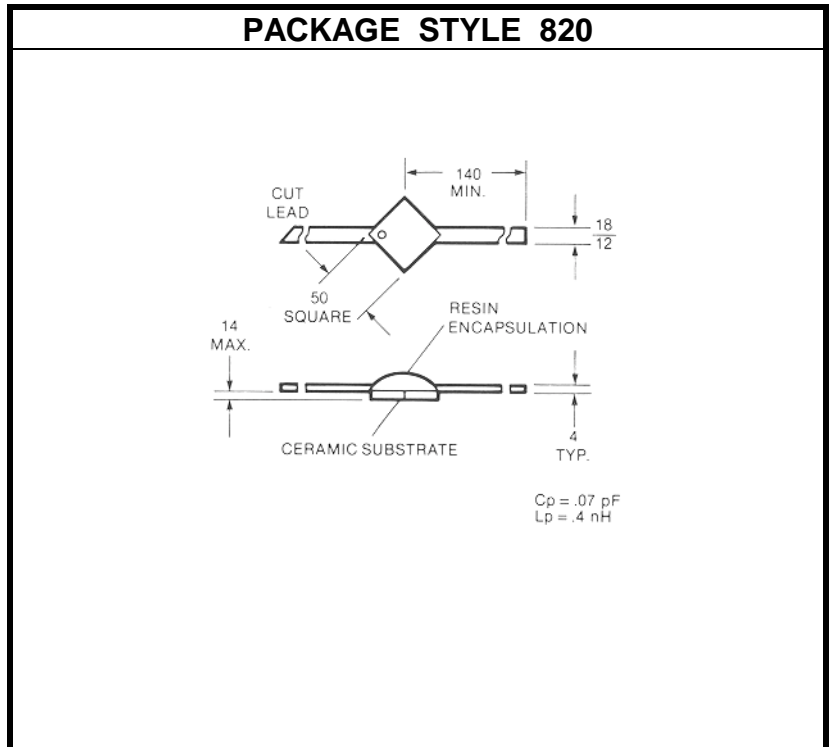
The **ASI DME2333-230** is a Medium Barrier Schottky Diode designed for General Purpose Mixer Applications.

FEATURES INCLUDE:

- Small size
- Ideal for MIC

MAXIMUM RATINGS:

I_C	100 mA
P_{DISS}	75 mW @ T _A = 25 °C
T_J	-65 °C to +175 °C
T_{STG}	-65 °C to +175 °C
θ_{JC}	2000 °C/W


CHARACTERISTICS T_C = 25 °C

SYMBOL	TEST CONDITIONS	MINIMUM	TYPICAL	MAXIMUM	UNITS
V_B	I _R = 10 μA	3.0			V
V_F	I _F = 1 mA	350		450	mV
R_S	I _F = 5.0 mA			13	Ω
C_J	V _R = 0 V		f = 1.0 MHz	0.05	pF