

Features


- ◇ For IF SAW filter
- ◇ High attenuation
- ◇ Single-ended operation
- ◇ Dual In-line Package
- ◇ RoHS compliant (2002/95/EC), Pb-free

Specifications

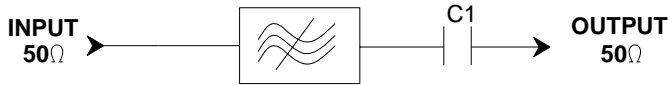
Parameter	Unit	Minimum	Typical	Maximum
Center Frequency	MHz	219.7	220	220.3
Insertion Loss	dB	-	31.8	33
1 dB Bandwidth	MHz	62	63.17	-
3 dB Bandwidth	MHz	63.5	64.26	-
40 dB Bandwidth	MHz	-	68.33	70
Passband Variation	dB	-	0.7	1
Group Delay Variation($f_0 \pm 31\text{MHz}$)	nsec	-	22	30
Absolute Delay	usec	-	0.82	-
Ultimate Rejection	dB	-	44	-
Material Temperature coefficient	KHz/°C	-18.04		
Substrate Material	-	128LN		
Ambient Temperature	°C	25		
Operating Temperature Range	°C	-40	-	+85
Storage Temperature Range	°C	-45	-	+105
DC Voltage	V	0		
Input Power	dBm	-	-	10
ESD Class	-	1A		
Package Size	DIP2012 (20.1x12.8x4.7mm3)			

Notes:

1. All specifications are based on the test circuit shown;
2. In production, all specifications are measured by Agilent Network analyzer and full 2 port calibration at room temperature;
3. Electrical margin has been built into the design to account for the variations due to temperature drift and manufacturing tolerances;
4. This is the optimum impedance in order to achieve the performance show.

	SIPAT Co., Ltd. (CETC No.26 Research Institute) #14 Nanping Huayuan Road, Chongqing, China, 400060	Part Number	LBN22001	
		Rev. Date	2009-08-17	
		Ver.	1.0	Page 1/3

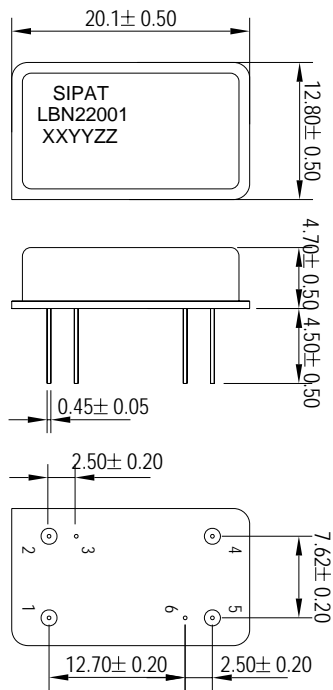
Matching Configuration



C1=22pF
Source/Load Impedance=50 ohm

Notes - Component values may change depending on board layout.

Package Dimension



Pad Configuration:

- Input 1
- Output 5
- Ground All Others

Marking Configuration:

- 1) SIPAT: Manufacturer Name
- 2) LBN22001: Part Number
- 3) XXYZ: Date(Year/month)
- 4) ZZ: Identified Code

Package: DIP2012

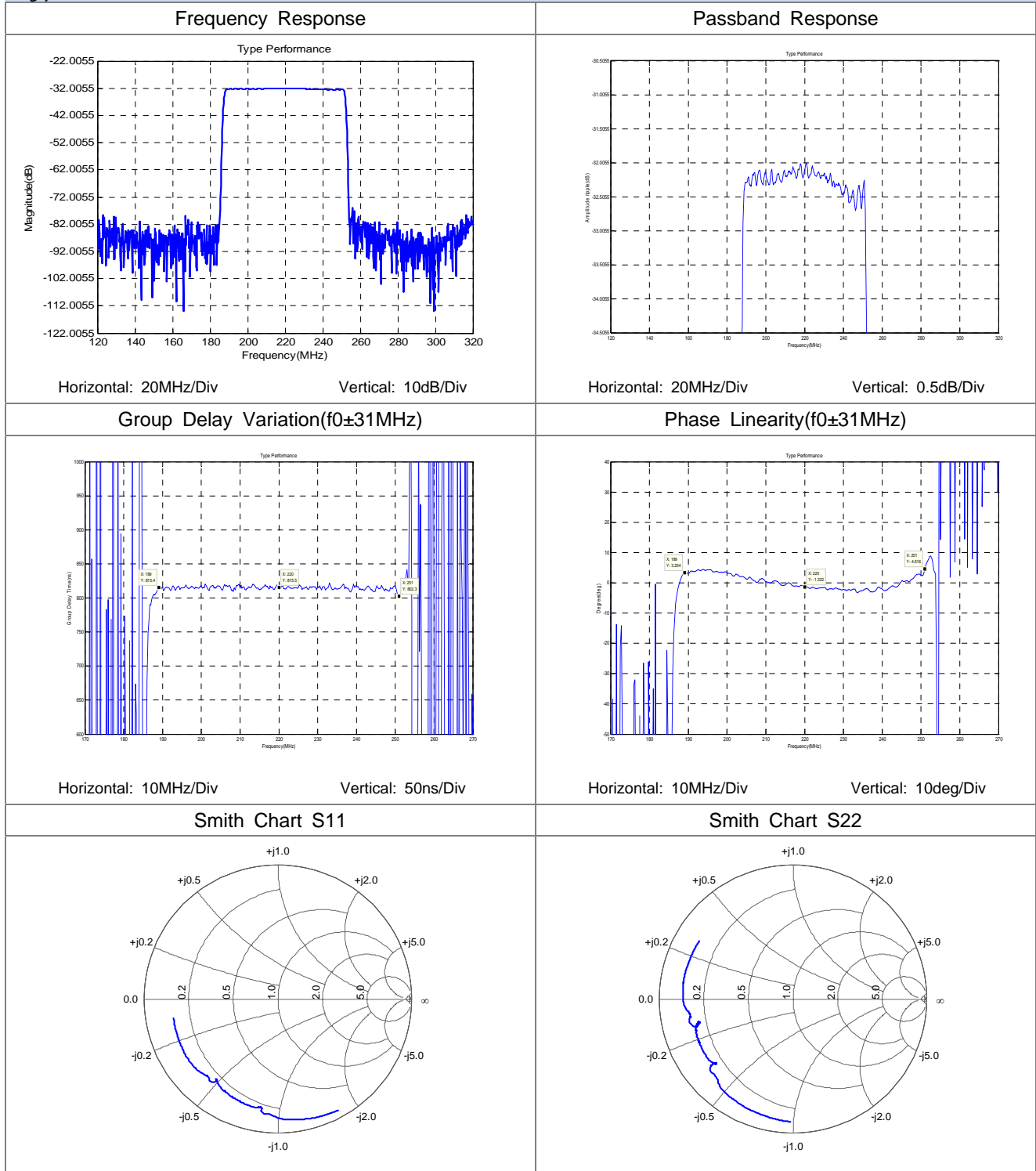
Unit: mm



SIPAT Co., Ltd.
(CETC No.26 Research Institute)
#14 Nanping Huayuan Road,
Chongqing, China, 400060

Part Number	LBN22001	
Rev. Date	2009-08-17	
Ver.	1.0	Page 2/3

Typical Performance



SIPAT Co., Ltd.
(CETC No.26 Research Institute)
#14 Nanping Huayuan Road,
Chongqing, China, 400060

Part Number	LBN22001	
Rev. Date	2009-08-17	
Ver.	1.0	Page 3/3