

### Features


- ◇ For IF SAW filter
- ◇ High attenuation
- ◇ Single-ended operation
- ◇ Dual In-line Package
- ◇ RoHS compliant (2002/95/EC), Pb-free

### Specifications

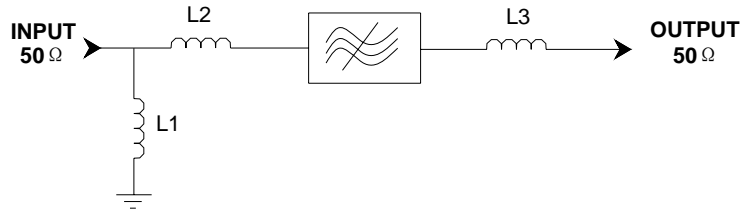
Parameter	Unit	Minimum	Typical	Maximum
Center Frequency	MHz	199	200	201
Insertion Loss	dB	-	24.6	28
1.5 dB Bandwidth	MHz	75	77.72	-
3 dB Bandwidth	MHz	-	78.88	-
45 dB Bandwidth	MHz	-	85.8	100
Passband Variation	dB	-	0.8	1.5
Absolute Delay	usec	-	0.97	-
Ultimate Rejection( $f_0 \pm 53\text{MHz}$ )	dB	45	55	-
Material Temperature coefficient	KHz/°C	-16.4		
Substrate Material	-	128LN		
Ambient Temperature	°C	25		
DC Voltage	V	0		
Input Power	dBm	-	-	10
ESD Class	-	1A		
Package Size	DIP2212 (22.2x12.8x4.7mm3)			

#### Notes:

1. All specifications are based on the test circuit shown;
2. In production, all specifications are measured by Agilent Network analyzer and full 2 port calibration at room temperature;
3. Electrical margin has been built into the design to account for the variations due to temperature drift and manufacturing tolerances;
4. This is the optimum impedance in order to achieve the performance show.

	<b>SIPAT Co., Ltd.</b> ( CETC No.26 Research Institute ) #14 Nanping Huayuan Road, Chongqing, China, 400060	Part Number	LBN20010	
		Rev. Date	2009-10-21	
		Ver.	1.0	Page 1/3

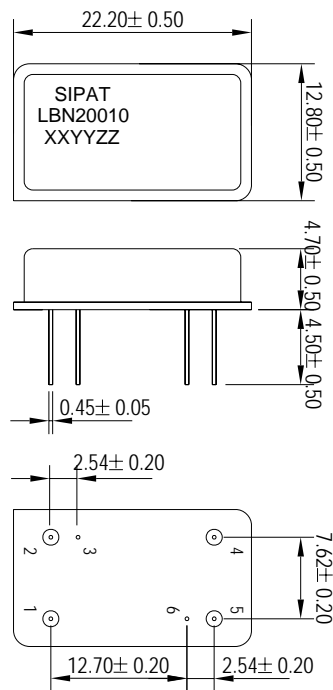
### Matching Configuration



**L1=39nH L2=22nH**  
**L3=47nH**  
**Source/Load Impedance=50 ohm**

Notes - Component values may change depending  
on board layout.

### Package Dimension



#### Pad Configuration:

Input 1  
Output 5  
Ground All Others

#### Marking Configuration:

- 1) SIPAT: Manufacturer Name
- 2) LBN20010: Part Number
- 3) XXYY: Date(Year/month)
- 4) ZZ: Identified Code

**Package: DIP2212**

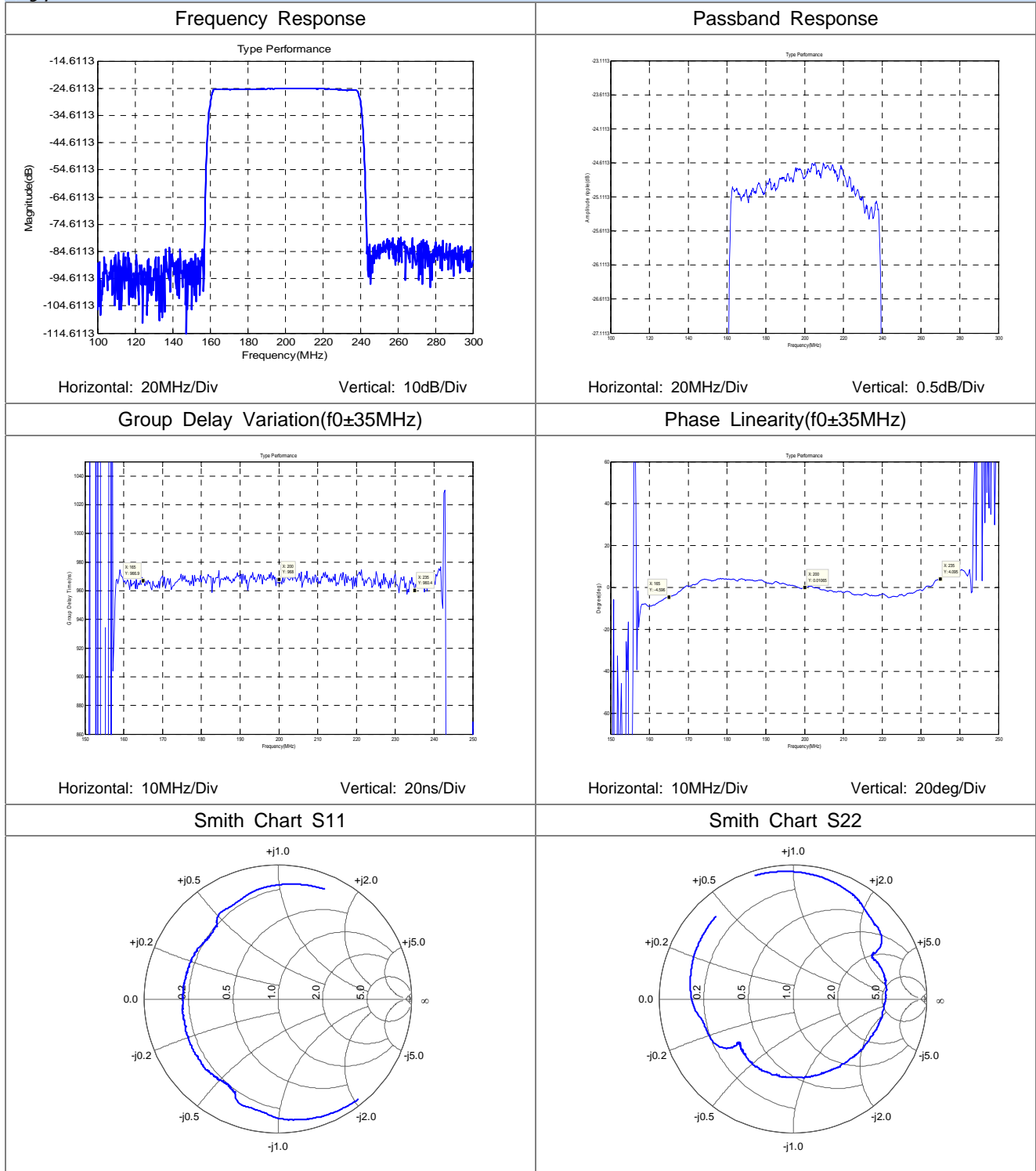
**Unit: mm**



**SIPAT Co., Ltd.**  
( CETC No.26 Research Institute )  
#14 Nanping Huayuan Road,  
Chongqing, China, 400060

Part Number	LBN20010	
Rev. Date	2009-10-21	
Ver.	1.0	Page 2/3

*Typical Performance*



**SIPAT Co., Ltd.**  
( CETC No.26 Research Institute )  
#14 Nanping Huayuan Road,  
Chongqing, China, 400060

Part Number	LBN20010	
Rev. Date	2009-10-21	
Ver.	1.0	Page 3/3