



Micro Commercial Components

Micro Commercial Components
 20736 Marilla Street Chatsworth
 CA 91311
 Phone: (818) 701-4933
 Fax: (818) 701-4939

2SA1037

Features

- Small Package
- Mounting: any position
- ROHS Compliant
- Case Material: Molded Plastic. UL Flammability Classification Rating 94V-0 and MSL Rating 1

PNP Silicon Epitaxial Transistors

Maximum Ratings @ $T_a = 25^\circ\text{C}$ (unless otherwise noted)

Symbol	Parameter	Value	Unit
I_C	Collector Current	-0.15	A
P_D	Total Device Dissipation	0.2	W
T_J	Junction Temperature	150	$^\circ\text{C}$
T_{STG}	Storage Temperature Range	-55 to +150	$^\circ\text{C}$

Electrical Characteristics @ 25°C Unless Otherwise Specified

Symbol	Parameter	Min	Max	Units
OFF CHARACTERISTICS				
$V_{(BR)CEO}$	Collector-Emitter Breakdown Voltage ($I_C = -1\text{mA}, I_B = 0$)	-50		V
$V_{(BR)CBO}$	Collector-Base Breakdown Voltage ($I_C = -50\mu\text{A}, I_E = 0$)	-60		V
$V_{(BR)EBO}$	Collector-Base Breakdown Voltage ($I_E = -50\mu\text{A}, I_C = 0$)	-6.0		V
I_{CBO}	Collector-Base Cutoff Current ($V_{CB} = -60\text{Vdc}, I_E = 0$)		-0.1	μA
I_{EBO}	Emitter-Base Cutoff Current ($V_{EB} = -6.0\text{Vdc}, I_C = 0$)		-0.1	μA

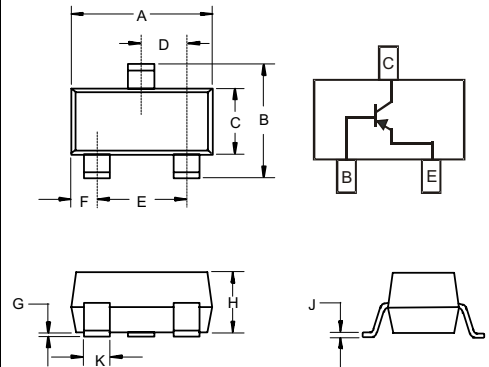
ON CHARACTERISTICS

h_{FE}	DC Current Gain ($I_C = -1.0\text{mA}, V_{CE} = -6.0\text{Vdc}$)	120	560	
$V_{CE(sat)}$	Collector-Emitter Saturation Voltage ($I_C = -5.0\text{mA}, I_B = -5.0\text{mA}$)		-0.5	Vdc
F_T	Transition Frequency ($V_{CE} = -12\text{Vdc}, I_C = -2\text{mA}, f = 30\text{MHz}$)	120		MHZ

CLASSIFICATION OF h_{FE}

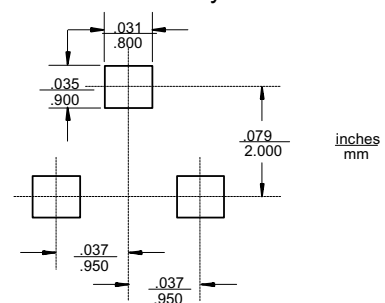
Rank	Q	R	S
Range	120-270	180-390	270-560
Marking	FQ	FR	FS

SOT-23



DIM	DIMENSIONS				NOTE
	INCHES		MM		
A	.110	.120	2.80	3.04	
B	.083	.098	2.10	2.64	
C	.047	.055	1.20	1.40	
D	.035	.041	.89	1.03	
E	.070	.081	1.78	2.05	
F	.018	.024	.45	.60	
G	.0005	.0039	.013	.100	
H	.035	.044	.89	1.12	
J	.003	.007	.085	.180	
K	.015	.020	.37	.51	

Suggested Solder Pad Layout





Micro Commercial Components

Ordering Information

Device	Packing
(Part Number)-TP	Tape&Reel;3Kpcs/Reel

IMPORTANT NOTICE

Micro Commercial Components Corp .reserves the right to make changes without further notice to any product herein to make corrections, modifications , enhancements , improvements , or other changes .
Micro Commercial Components Corp .does not assume any liability arising out of the application or use of any product described herein; neither does it convey any license under its patent rights ,nor the rights of others . The user of products in such applications shall assume all risks of such use and will agree to hold *Micro Commercial Components Corp* .and all the companies whose products are represented on our website, harmless against all damages.

APPLICATIONS DISCLAIMER

Products offer by *Micro Commercial Components Corp* . are not intended for use in Medical, Aerospace or Military Applications.

www.mccsemi.com