



Micro Commercial Components

Micro Commercial Components  
 20736 Marilla Street Chatsworth  
 CA 91311  
 Phone: (818) 701-4933  
 Fax: (818) 701-4939

# 2SA812

## Features

- High DC Current Gain:  $90 \leq h_{FE} \leq 600$ . ( $V_{CE} = -6.0V$ ,  $I_C = -1mA$ )
- High voltage:  $V_{CEO} = -50V$
- Case Material: Molded Plastic. UL Flammability Classification Rating 94V-0 and MSL Rating 1

## Maximum Ratings

Symbol	Rating	Rating	Unit
$V_{CEO}$	Collector-Emitter Voltage	-50	V
$V_{CBO}$	Collector-Base Voltage	-60	V
$V_{EBO}$	Emitter-Base Voltage	-5.0	V
$I_C$	Collector Current	-100	mA
$P_C$	Collector power dissipation	200	mW
$T_J$	Junction Temperature	-55 to +150	°C
$T_{STG}$	Storage Temperature	-55 to +150	°C

## Electrical Characteristics @ 25°C Unless Otherwise Specified

Symbol	Parameter	Min	Typ	Max	Units
--------	-----------	-----	-----	-----	-------

### OFF CHARACTERISTICS

$I_{CBO}$	Collector Cutoff Current ( $V_{CB} = -60V_{dc}$ , $I_E = 0$ )	---	---	-0.1	uAdc
$I_{EBO}$	Emitter Cutoff Current ( $V_{EB} = -5.0V_{dc}$ , $I_C = 0$ )	---	---	-0.1	uAdc

### ON CHARACTERISTICS

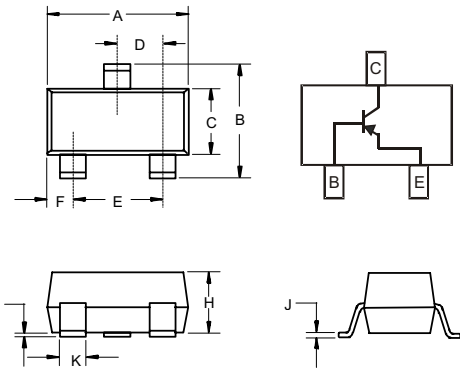
$h_F$	DC Current Gain* ( $I_C = -1.0mAdc$ , $V_{CE} = -6.0V_{dc}$ )	90	---	600	---
$V_{CE(sat)}$	Collector Saturation Voltage* ( $I_C = -100mAdc$ , $I_B = -10mAdc$ )	---	---	-0.3	Vdc
$V_{BE}$	Base Emitter Voltage* ( $V_{CE} = -6.0V_{dc}$ , $I_C = -1.0mAdc$ )	---	---	-0.68	Vdc
$f_T$	Gain Bandwidth product ( $V_{CE} = -6.0V_{dc}$ , $I_E = -10mAdc$ )	180	---	---	MHz

### CLASSIFICATION OF $h_{FE}$

Marking	M4	M5	M6	M7
Range	90-180	135-270	200-400	300-600

## PNP Silicon Epitaxial Transistors

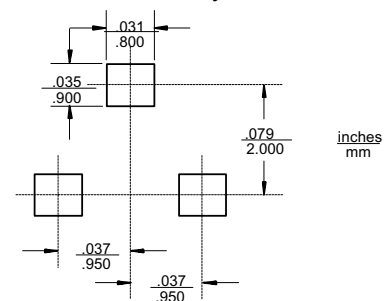
### SOT-23



#### DIMENSIONS

DIM	INCHES		MM		NOTE
	MIN	MAX	MIN	MAX	
A	.110	.120	2.80	3.04	
B	.083	.098	2.10	2.64	
C	.047	.055	1.20	1.40	
D	.035	.041	.89	1.03	
E	.070	.081	1.78	2.05	
F	.018	.024	.45	.60	
G	.0005	.0039	.013	.100	
H	.035	.044	.89	1.12	
J	.003	.007	.085	.180	
K	.015	.020	.37	.51	

### Suggested Solder Pad Layout





Micro Commercial Components

## Ordering Information

Device	Packing
(Part Number)-TP	Tape&Reel;3Kpcs/Reel

### \*\*\*IMPORTANT NOTICE\*\*\*

*Micro Commercial Components Corp* .reserves the right to make changes without further notice to any product herein to make corrections, modifications , enhancements , improvements , or other changes .  
*Micro Commercial Components Corp* .does not assume any liability arising out of the application or use of any product described herein; neither does it convey any license under its patent rights ,nor the rights of others . The user of products in such applications shall assume all risks of such use and will agree to hold *Micro Commercial Components Corp* .and all the companies whose products are represented on our website, harmless against all damages.

### \*\*\*APPLICATIONS DISCLAIMER\*\*\*

Products offer by *Micro Commercial Components Corp* . are not intended for use in Medical, Aerospace or Military Applications.

[www.mccsemi.com](http://www.mccsemi.com)