

DVB-S2 Digital BS Tuner Unit with Internal Demodulator

BSBE2 Series



Internal demodulator model contributing to improved set design flexibility through a variety of mounting types.

for Broadcasting Use

Home Use Digital Terrestrial Tuners

Digital CATV Tuners

Digital BS Tuners

Automotive Use Digital Terrestrial Tuners

Antennas

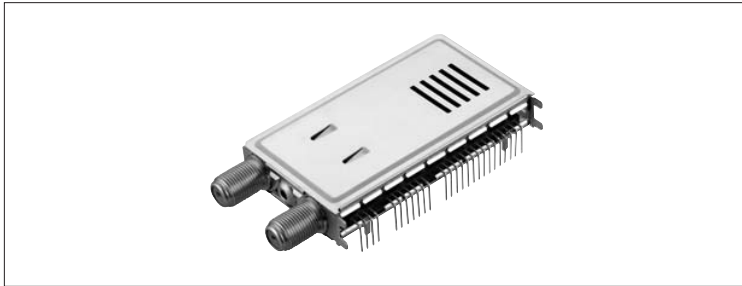
Home Use FM/AM Tuners

FM/AM Tuner for HD Radio™ Broadcasting

Automotive Use FM/AM Tuners

for Communication Use

RF Module for Data Communication



Features

- DVB-S2 and DVB-S formats both supported, in size similar to that of our "BSBE1" series.
- Achieving effective heat dissipation through the structure of the tuner's exterior cladding.
- Excellent noise muffling capability due to shield structure.
- A variety of mounting types contribute to flexibility in set design.

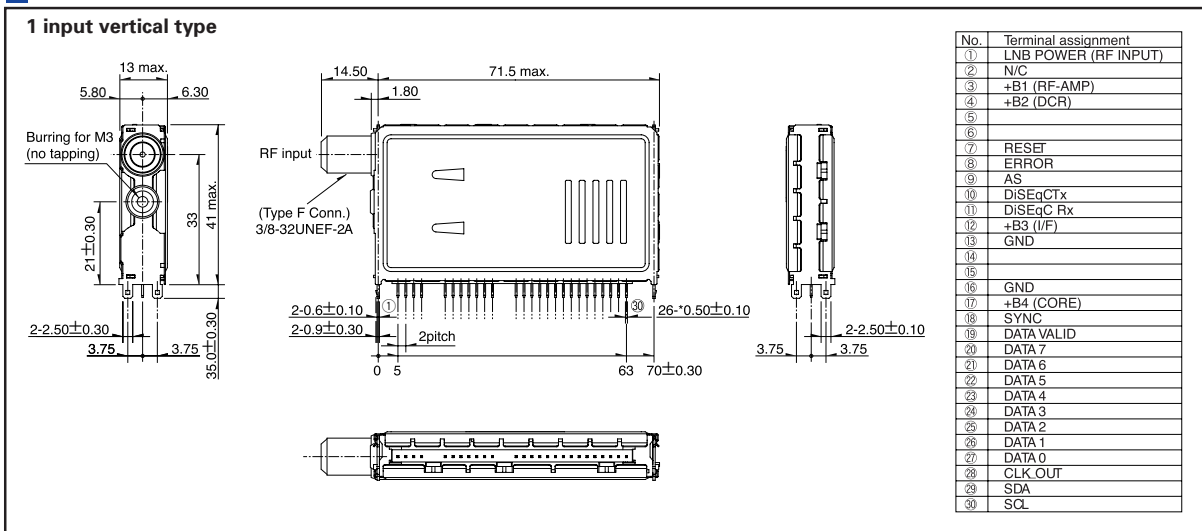
Applications

- For TVs, set top boxes and for DVD-S2 format satellite digital broadcasts

Typical Specifications

Items	Model	BSBE2
Input frequency range		950 to 2150MHz
Input level range		-65 to -25dBm
Input VSWR		2.0 typ.
Tuning control		I ² C bus
Demodulation format		DVB-S2, DVB-S
Demodulator IC		Conexant Systems CX24116
Symbol rate		4 to 30M sps
Symbol voltage		+3.3V, +1.25V

Dimensions



Product Line

Model	Destination	Form of ANT input	Input frequency range (MHz)	Outline dimensions (mm)	Volume (ml)	Function	Minimum packing unit (pcs.)	Page
BSBE2	World wide	1-input	950 to 2150	71.5×41.0	38	For DVB-S2, DVB-S IQ Demod. A/D Conv., 8PSK,QPSK Demod., FEC circuit direct conversion	100	11
		1-input/1-output						

Note

Please order a minimum of 1,000 pieces or more.

Ordering Instructions

In order to provide a quicker response to your order, please fill in the essential items in the following check sheet.

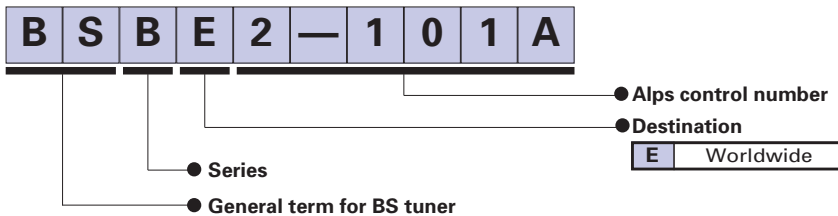
No.	Items	Descriptions
1	Destination	<input type="checkbox"/> U.S.A. <input type="checkbox"/> Europe <input type="checkbox"/> Japan <input type="checkbox"/> Korea
2	Form of ANT input	<input type="checkbox"/> 1-input <input type="checkbox"/> 1-input/1-output (Distributor)
3	Mounting form	<input type="checkbox"/> Vertical <input type="checkbox"/> Horizontal
4	Symbol rate	<input type="checkbox"/> 1 to 45Mbauds <input type="checkbox"/> 1 to 30Mbauds
5	Schedule	ES1 ES2 Approval P/P M/P / / / / /
6	Others	

Note

Other special specifications and details are available upon request.

Product Numbering System

BSBE Series



for Broadcasting Use

Home Use Digital Terrestrial Tuners

Digital CATV Tuners

Digital BS Tuners

Automotive Use Digital Terrestrial Tuners

Antennas

Home Use FM/AM Tuners

FM/AM Tuner for HD Radio™ Broadcasting

Automotive Use FM/AM Tuners

for Communication Use

RF Module for Data Communication